


# ENDON®

## Alassio Mother & Child Floor Light INSTRUCTION MANUAL

### Safety Warnings

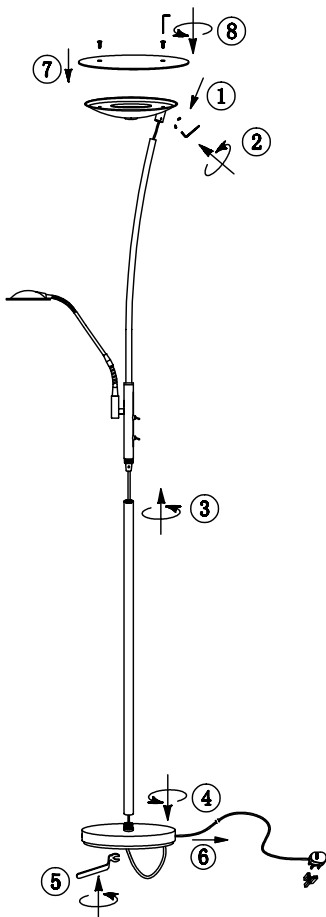
- This product is only suitable for connection to a 240V~50Hz supply in accordance with current IEE wiring regulations. It is for indoor use only, and not suitable for a bathroom location.
- This fitting is a Class II, Double Insulated product  and does not require an Earth. Live or Neutral **must not** be connected to Earth.
- Do not plug into the mains until your lamp is fully assembled.
- Under no circumstances must this lamp be covered with any material as this could pose a safety hazard. It must be used on a stable, flat surface. This product is not suitable for persons under 14 years old.
- This product contains non-replaceable LEDs. If the LEDs become damaged, they cannot be replaced, and the product must be disposed.
- The lamp must be protected by a 3 amp fuse in the mains plug. If the mains cable becomes damaged it must only be replaced by a technically competent, qualified person.
- If you are in any doubt about your competence please consult a qualified electrician.
- If any modification is made it will invalidate the warranty and may render the product unsafe.
- Allow 10 minutes to cool before replacing, adjusting or cleaning. Clean with a dry cloth only. Do not use liquid or abrasive cleaners on this product.

### Assembly/ User Instructions

#### Before you start

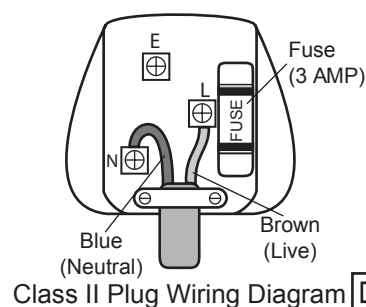
Please read these instructions carefully before fitting and retain for reference. Check the packaging and make sure that you have all the required parts. Follow each assembly step in order to prevent incorrect assembly. Ensure that the product is fully assembled as illustrated before use.

**These assembly diagrams are intended as a guide – if in doubt consult a qualified electrician.**



1. Carefully unpack your lamp, and place on a stable, flat surface.
2. Fit the LED pan using the grub screws (1) and Allen key (2).
3. Screw the upper stem into the lower section (3), then the stem into the base (4) and secure with the base nut (5). Gently tug the electric wire through (6), ensuring it is not trapped or strained.
4. Fit the glass for the LED pan (7) using the grub screws and Allen key (8).
5. Plug in, and operate the stem switches to turn the lamps on, the top switch activating the 'Mother' lamp, and the bottom switch to activate the 'child' lamp.

If your lamp will not illuminate, please check the 3 amp fuse in the plug and ultimately check the relevant fuse in your fuse box. If unsuccessful please consult your retailer.



Class II Plug Wiring Diagram 

