
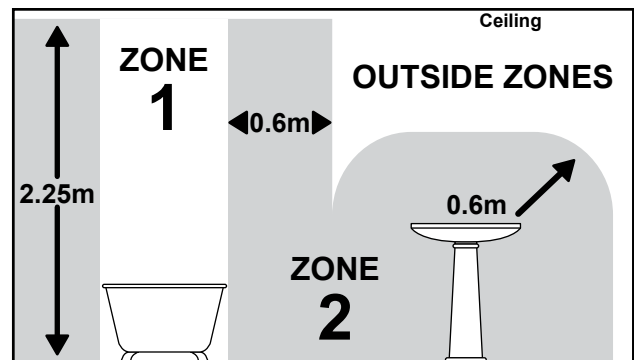
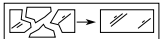


ENDON®

Rita 3 & 5 Light Bathroom Fitting INSTRUCTION MANUAL

Safety Warnings

- This product is only suitable for connection to a 240V~50Hz supply and is for indoor use only.
- This light should be installed by a qualified electrician in accordance with current IEE Wiring Regulations and Building Regulations (Part P).
- This light may be installed in Zones 1, 2 and Outside Zones of a bathroom where water jets are not used for cleaning purposes. These zones are referenced in BS 7671: 2008 "Requirements for Electrical Installations", IEE Wiring Regulations 17th Edition. All dimensions must be checked in conjunction with the Regulations. Please see diagram below.
- The supply circuit must be protected by an RCD or the casing of the light must be connected to the "Supplementary Equipotential Bonding" points in the bathroom.
- An electrician must be consulted if in any doubt about your own competency or meaning of bathroom "Zones" or "Equipotential Bonding" or "RCD".
- This fitting is a Class II  Double Insulated product, and **must NOT** be connected to Earth.
- Switch off the mains supply and remove the appropriate fuse or switch off the appropriate circuit breaker before commencing installation.
- The light source contained in this luminaire shall only be replaced by the manufacturer or a similar qualified person.
- Clean with a dry cloth or glass cleaner only. Do not use solvents or abrasive cleaners on this product, and allow 10 minutes to cool before adjusting or cleaning.
- If any modification is made it will invalidate the warranty and may render the product unsafe.
- This product has special protection against the ingress of moisture and is rated IP44. If the glass or diffuser is broken or cracked it must be replaced, please consult your retailer. This is the symbol which denotes this requirement:



Assembly/ User Instructions

Before you start

Please read these instructions carefully before fitting and retain for reference. Check the packaging and make sure that you have all the required parts. Follow each assembly step in order to prevent incorrect assembly. Ensure that the product is fully assembled as illustrated before use.

Please note: this instruction covers both the 3 and 5 light version of this product.

The Light pack contains:

- Light fitting.
- Terminal connection block(s).
- Fixing pack.
- Remote control.

The following tools may be required:

- Selection of cross and flat head screwdrivers.
- Electric drill and assorted drill bits.
- Wire strippers.
- Electrical insulation tape.

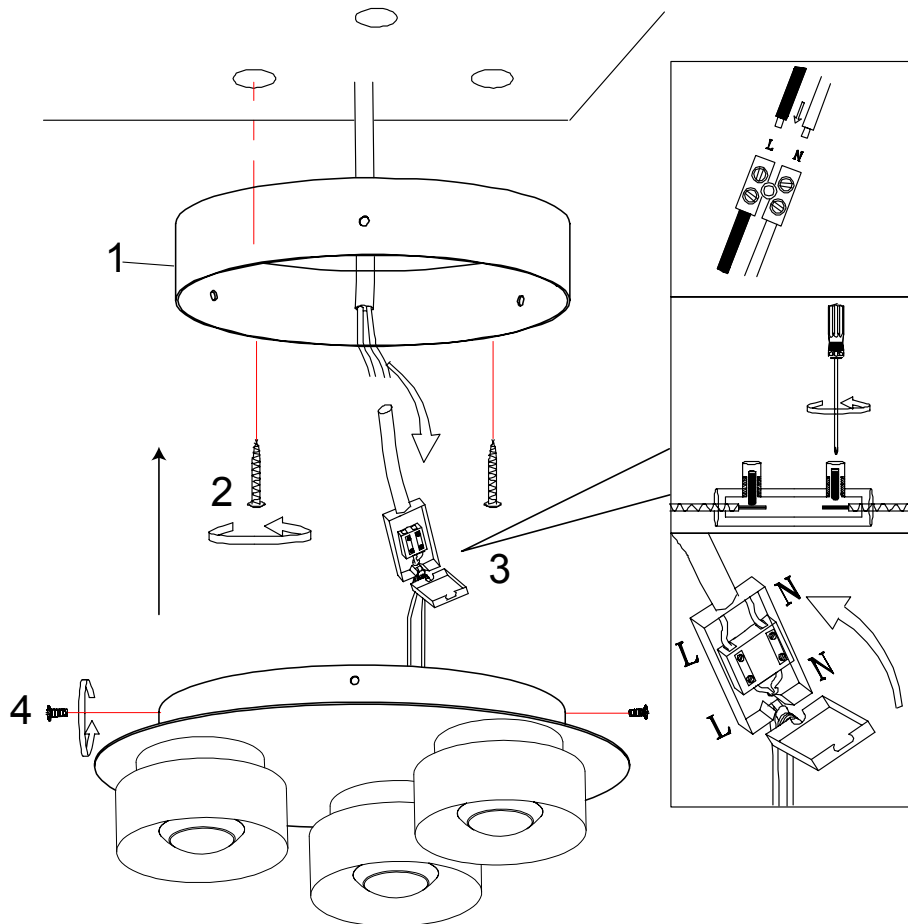
These assembly diagrams are intended as a guide – if in doubt consult a qualified electrician.

1. Decide on the position of the light fitting, or remove existing light fitting. Note the position of the electrical connections. Ensure there is a solid mounting surface, preferably a wooden joist or joist bridge to support the weight of the light fitting. Take care to avoid damaging any concealed wiring and pipes.
2. Remove the three side screws (4) and retain the screws for re-use. Use the fixing bracket (1) as a template to mark the screw holes, then secure to the ceiling with appropriate screw fixings (2).
3. Open the insulated terminal box, and, supporting your fitting, connect the house wiring to the terminal block (3) - see expanded wiring details. **NOTE: This is a Class II fitting and must NOT be earthed.** If you have any

Assembly/ User Instructions Continued

doubt about your competence, please consult a qualified electrician. Ensure that the terminal box is closed securely.

4. Secure the fitting over the bracket by using the screws (4) removed in Point 2.
5. Turn on the power and test. You can now control the fitting using the included remote control. Please see the diagram below for a list of the functions. Up to 8 units can be linked together on one remote control - see below for unsynchronisation/ resynchronisation instructions.



To link multiple units

First clear the synchronised connection:

- Ensure power is not being supplied to the units to be synchronised, then using one remote controller, push and hold the “ON” button while switching on power to the units that are to be synchronised.
- Keep holding the “ON” button until all units have blinked a minimum of 3 times. Once the blinking has stopped the units will stay on - this is confirmation the unsynchronisation has worked.
- Switch off the power for a minimum of 30 seconds before performing resynchronisation.

To resynchronise up to 8 units:

- Ensure power is supplied to all units to be synchronised, then immediately press and hold “W” button on until all units blink a minimum of 2 times.
- Once blinking has stopped all units will stay on, and can now be controlled using the one remote

Please note: When multiple units are synchronised the dimming function will only work on “white” mode; red/ green/ blue modes can only be switched on or off. This functionality is not affected on single units.

