



MASTER LEDspot LV

MAS LEDspotLV D 7-35W 927 MR16 36D

Delivering intense accent beam, MASTER LEDspot LV is an ideal retrofit solution for spot lighting. MASTER LEDspot LV is designed to replace halogen or incandescent spots. It realizes natural colors, enables cozy and comfortable ambience for residential, hospitality and emphasizes the beauty of merchandise in retail. New smaller housing provides perfect fitting with majority of luminaires in a market with a MR16 GU 5.3 holder. It not only employs Philips' patented solution to guarantee the broadest possible compatibility with standard 12V halogen electronic transformers, it also delivers high beam intensity which is equivalent to halogen MR16 spots. The dimming function enables to create the desired atmosphere and it works with broad selection of dimmers. Its high SDCM ensure stricter color consistency, that is maintained over product life. MASTER LEDspot LV delivers huge energy savings and minimizes maintenance cost without any compromise on light quality and lifetime, enabling residential and business owners to achieve a return on their investment within short period time.

Product data

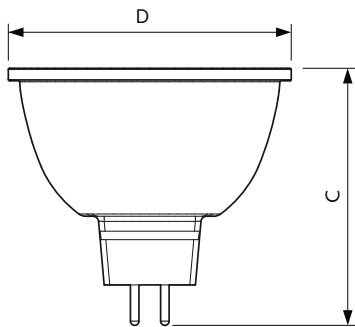
| General Information | | Color Designation | |
|-----------------------------|----------------|---------------------------------------|-----------------|
| Cap-Base | GU5.3 [GU5.3] | Color Designation | Warm White (WW) |
| RoHS mark | RoHS mark | Rated Beam Angle | 36 ° |
| Nominal Lifetime (Nom) | 40000 h | Correlated Color Temperature (Nom) | 2700 K |
| Switching Cycle | 50000X | Luminous Efficacy (rated) (Nom) | 71.00 lm/W |
| Technical Type | 7-35W | Color Consistency | <4 |
| | | Color Rendering Index (Nom) | 90 |
| | | LLMF At End Of Nominal Lifetime (Nom) | 70 % |
| Light Technical | | Operating and Electrical | |
| Color Code | 927 | Power (Rated) (Nom) | 7 W |
| Beam Angle (Nom) | 36 ° | Lamp Current (Nom) | 830 mA |
| Luminous Flux (Nom) | 500 lm | Wattage Equivalent | 35 W |
| Luminous Flux (Rated) (Nom) | 500 lm | Starting Time (Nom) | 0.5 s |
| Luminous Intensity (Nom) | 1400 cd | | |

MASTER LEDspot LV

| | |
|---------------------------------|--------------------|
| Warm Up Time to 60% Light (Nom) | 0.5 s |
| Power Factor (Nom) | 0.7 |
| Voltage (Nom) | ac electronic 12 V |
| Temperature | |
| T-Case Maximum (Nom) | 90 °C |
| Controls and Dimming | |
| Dimmable | Yes |
| Approval and Application | |
| Energy Efficiency Label (EEL) | D |
| Suitable For Accent Lighting | Yes |

| | |
|---------------------------------|------------------------------------|
| Energy Consumption kWh/1000 h | 8 kWh |
| Product Data | |
| Full product code | 871869681237200 |
| Order product name | MAS LEDspotLV D 7-35W 927 MR16 36D |
| EAN/UPC - Product | 8718696812372 |
| Order code | 929001880168 |
| Numerator - Quantity Per Pack | 1 |
| Numerator - Packs per outer box | 10 |
| Material Nr. (12NC) | 929001880168 |
| Net Weight (Piece) | 0.052 kg |

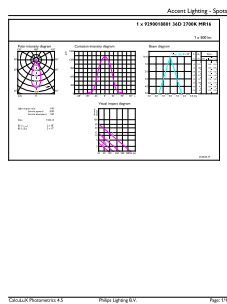
Dimensional drawing



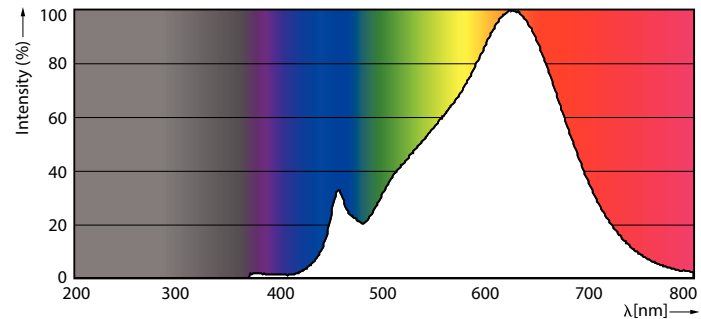
MR16 12V 7-35W 400lm 36D 2700K GU5.3 D

| Product | D | C |
|------------------------------------|---------|---------|
| MAS LEDspotLV D 7-35W 927 MR16 36D | 50.5 mm | 46.5 mm |

Photometric data



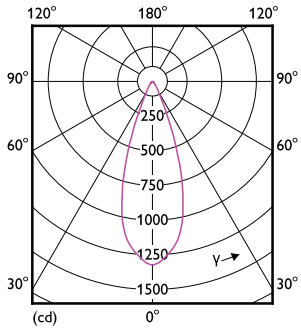
7-50W GU5-3 MR16 36D 927 2700K



7-50W GU5-3 MR16

MASTER LEDspot LV

Photometric data

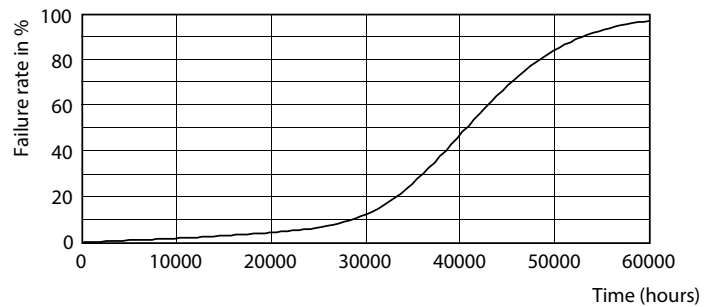


7-50W GU5-3 MR16 36D 927 2700K

Lifetime



7-50W GU5-3 MR16



7-50W GU5-3 MR16

