



Installation Instructions

Timba 14mm LOC Engineered Oak
with Valinge 5G Technology

Version 1.0
January 2015



Installation Instructions

Timba 14mm LOC Engineered Oak - 5G LOC



INTRODUCTION

Congratulations with your new timba floor, your 14mm LOC engineered flooring does not require a period of acclimatisation however warranty conditions dictate that the engineered wood flooring is to remain in the sealed packaging prior to the date of installation. It is your responsibility to ensure your site conditions are within the stated requirement.

This floor can only be used in dry rooms with normal temperature and air humidity (see Checklist no. 9 below). This floor is to be installed as a floating floor on a level and solid subfloor. The flooring can be installed on most existing floors, e.g. Wooden floors, pvc, concrete floors. Carpets should be removed. Make sure your concrete subfloor is dry enough before you start. Use a moisture meter to check that the moisture content of the subfloor is less than 3%. When fitting the flooring on top of under floor heating, remember the conditions are stricter. (Timba always advise you contact the under floor heating supplier/fitter for more details prior to installation). Always use an underlay on top of a concrete floor, it gives a gentler feel underfoot and stops grinding. Clean your flooring with a vacuum cleaner and a well wrung cloth. Remove stains with a suitable specialist wood floor cleaner. In case of questions or problems, please contact your supplier. This flooring is, as any other wooden floor, subject to impressions and scratches. Please take the following precautions to minimise them.

1. Use a good door mat at every entrance (inside and outside) and clean them often
2. Use soft protective pads for your table and chair legs (do not use a hard adhesive, it will scratch your floor)
3. Put a protective mat under chairs with wheels or replace wheels/casters with same suitable for wood flooring
4. Clean up any liquid spillages quickly
5. Be aware that sunlight will intensify the colour of your floor, it is a natural process
6. In order to establish a consistency of product a grading and manufacturing tolerance of 5% has been set to allow for de-selection of material if deemed unsuitable for the installation. A 5% cutting or waste allowance must therefore be added to the net square meters required for the site to be installed. Keep any decent sized off cuts for later repairs, wrap in plastic and tape and keep in a dry warm place

NOT IN GARDEN SHED OR UNHEATED GARAGE.

Note: Keep a record of all your moisture readings for later reference and warranty enquiries. We strongly recommend you keep a record of your moisture and humidity readings prior to installation. These measurements will be required by the manufacturer or supplier if there are any future problems.

CHECKLIST - TOP 10

You will find additional information on these points later in these instructions:

1. If you store the packages in the room where the floor is to be installed prior to installation leave in the packaging
2. This floor is intended for floating installation only. An expansion gap of minimum 15mm should be allowed between the floor and all fixed points, such as walls, stairs, built in furniture, and radiator pipes
3. Check the condition of your subfloor it must be dry (measure moisture always!), clean, firm and even, remove any carpets
4. Choose underlay (read carefully below) according to your own needs - all floors are unique!
5. Measure the room, decide installation direction. Note the limitations as per below - due to natural behaviour of wood
6. Floor heating - see special advice and requirements – follow the instructions from the under floor heating system supplier
7. Install according to our Installation guidelines below, Work clean! When removal of incorrectly fitted or damaged boards is necessary please see below – ‘Special situations’ as to board removal.
8. Check each piece of wood flooring prior to installation, discard any pieces that show visible defects. If you lay it, you have accepted it!
9. Wood flooring and humans like the same climate, i.e. 45-65 % RH at 18-22 °C.
10. Maintain/clean your wood floor correctly and you will enjoy the floor for many years to come.

GENERAL INSTALLATION INFORMATION

I) Preparation - Tools needed:

Distance wedges, hand block, installation support wedge, hand saw or electric jig-saw, pencil, measuring tape, drill, chisel + hammer, dustpan and brush.

Check your sub floor:

Carpets must be removed. You can install our engineered flooring on all kinds of subfloors if they are dry, flat, fixed and clean, for example on old wood floors (install at right angles to existing floor), cement/concrete floors, ceramic tiles, PVC etc. If the subfloor is of other material, please contact your distributor, who will be happy to advise you. The sub floor must be Dry: Always measure the moisture content of cement screed / concrete / anhydrite with professional test instruments and record readings. Cement screed / Concrete needs a long time dry - in worst cases up to one year.

Requirements, moisture content limits.

- For concrete sub floors: max 3% moisture content

Installation Instructions

Timba 14mm LOC Engineered Oak - 5G LOC

PLEASE note that all types of cement screed/concrete/tiles sub floors require a moisture inhibitor - an ageing resistant PE - plastic film, min. 0,20 mm thick. (sd - value - 100m) overlapping minimum 15 cm under skirting board and tape all joints overlapping 300 mm.

Our wood floors are dried to a moisture content of 8% + /- 2%. Measure and record.

PLEASE note that subfloor construction boards, for example particle board/plywood at time of installation may have too high moisture content (maximum acceptable is 14%). Measure and record all readings. Dry, if necessary or replace with boards of correct moisture content. In **ALL** cases using plywood / particle board an expansion gap of 3 mm should be left **ALL** round **EVERY** board.

Flat: Measure always with a straight edge. Unevenness of + 2 mm over 2M is unacceptable and should be levelled.

Tip: use a suitable flooring compound to level your sub floor – never use foams or other soft materials. Always check the floor afterwards for evenness.

Firm and Clean: Concrete should always be firm and sound, if crumbly, cracked or soft remedial work is required prior to installation of your timba flooring. Timber, always check old wooden sub floor nail/screw fixings are sound to eliminate the possibility of unevenness or squeaking. Brush or vacuum clean your sub floor prior to installing - work clean!

CHOOSING YOUR UNDERLAY

Engineered flooring, when floated, must be installed over a minimum of 2mm foam or poly type underlay. If an acoustic underlay has been installed first, and is suitable according to manufacturers instructions for flooring to be laid directly on top, then a 2mm foam or poly type underlay is **NOT** necessary. However, if a 1.5mm cork or bitumen type acoustic barrier is used, then 2mm foam in particular is recommended to install over same. The foam stops grinding between wood flooring and OSB/Ply etc. underneath. Moisture inhibitors (such as 1000 g. Polythene) will only assist in protecting the floor from residual moisture when the concrete subfloor is 3% or less. An underlay or moisture inhibitor will NOT cover up an inherent moisture problem that should have been addressed prior to installation of your engineered wood floor.

Sound insulation

Sound insulation material must be installed (over the PE-plastic film, if so required). Use flooring paper, 2 mm cork, HD-foams (over 30 kg/m³) 2-3 mm or other approved Underlay materials. Check with your supplier.

Underfloor Heating

Installation over under floor heating - some important guidelines to follow.

Maximum allowed temperature on top of the floor underneath the floorboards is 27 °C. Please note that normal loose carpets/rugs insulate i.e. increase the floor surface temperature by about 2 °C!

Important: Follow the heating regulation recommendations given by the under floor heating system supplier.

INSTALLATION PREPARATIONS

I. General

Measure the area before installation and decide on the installation direction. It is recommended to install the boards end on to the main source of light. The width of the last row shall be not less than 50 mm. If so, adjust the width of the first board to be installed to compensate. Remember, measure twice! Cut once! In narrow hallways/corridors, install the floor parallel to walls.

II. Floating installation

Your floor is made to be installed floating without glue: Leave an expansion gap of min 15 mm around the entire perimeter of the room (use the distance wedges), i.e. also around pipes, stairs, columns, door frames and thresholds and built in furniture. The above 15 mm expansion gap only applies up to a maximum of 10 metre long and 10 metre wide, if the room is over this, allow for an extra expansion gap to be covered with a profile of wood or metal. This floor is designed for floating only and **MUST** be able to move freely, – do not fix or install tight to any fixed construction as above. Rooms with off square areas like for example L-, F-, T-, and U- shapes, separate the areas with a covered expansion gap, especially in door openings. Contact your supplier for further information regarding installation. Claims of visibly defective floor boards must be made prior to installation. Each board should be inspected to ensure that the quality is acceptable. No claims relating to surface defects can be accepted after installation. If you lay it, you have accepted it.

INSTALLATIONS METHODS

Method 1: “Panel by panel” see below guidelines

Method 2: “Row by row” - No wedge.

Install 1st row as described in method 1 above.

2nd and following rows as per method 2: First only connect board by board as in first row and then angle in the long side of the whole long row into the 1st row. Tip: Connect this second row on top of the first and then slowly slide the whole row towards you, till the groove falls in start position. Angle in by lifting and pushing forward the whole row and fine tune the panel positions with the positioning block as shown below (figure 6).

Installation Instructions

Timba 14mm LOC Engineered Oak - 5G LOC

Others: Your floor can very easily be disassembled, which enables replacement during installation and also during use. See section F below. You can use the floor immediately after installation. The skirting's (mouldings) must be fixed to the walls (never to the floor).

Instructions for installing wood floorings with a locking system based on the Vålinge technology.

AFTER THE INSTALLATION

Room climate – humidifier or dehumidifier required?

At all times, the recommended relative humidity (RH) of 45-65 % and temperature of 18-22 °C in the room should be maintained. If necessary install a humidifier/dehumidifier to ensure the best climate for yourself, your furniture and your wood floor. If the climate is not maintained as above or the floor is not correctly

installed as per foregoing instructions, then because of seasonal variations in temperature and humidity, the floor may show fine gaps or some tension in the floor, which you can hear with foot fall. These are temporary phenomena, but if they persist, get your fitter to return and relieve the pressure/source of the problem

CLEANING AND MAINTENANCE

The floor should be cleaned by using a vacuum-cleaner (attachment for wood floors) or brushed. If required, wipe with a damp-dry (well squeezed) cloth. Use a mild soap. Any liquid accidentally spilled must be wiped off immediately, otherwise it will stain.

FLOOR PROTECTION

Use a good doormat at every entrance, inside and out, and clean them often. Use soft protective pads for your table and chair legs.

INSTALLATION GUIDE

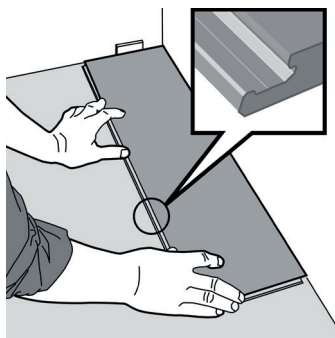


Fig 1. First plank, first row Place a distance ca 10mm thickness to the left and position against the wall.

Later, after 3 rows, you can easily position the flooring against the front wall with distances = 10mm.

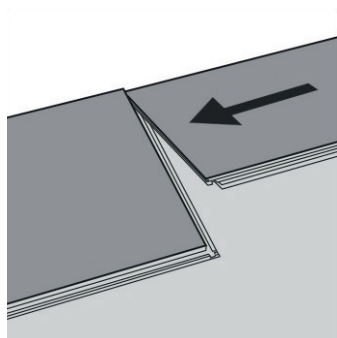


Fig 2. Second plank, first row Place this plank gently and tight to the short end of the first one.

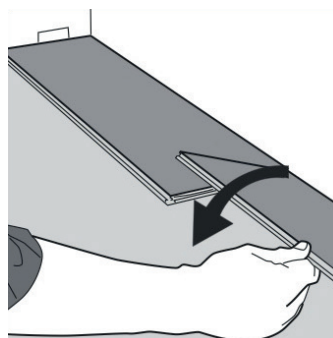


Fig 3. Fold the panel down in a single action movement. During the fold down, make sure the panels are tight against each other.

Afterwards press or slightly knock the short end just installed.

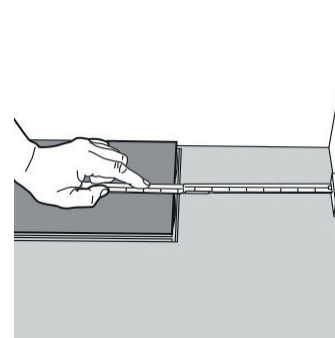


Fig 4. At the end of the first row, put a distance = 10mm, to the wall and measure the length of the last plank to fit.

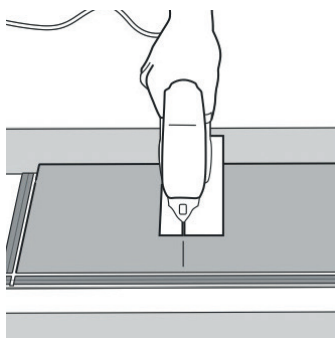


Fig 5. Cut with a jigsaw - hardwood turned down or with a hand saw with the hardwood visible.

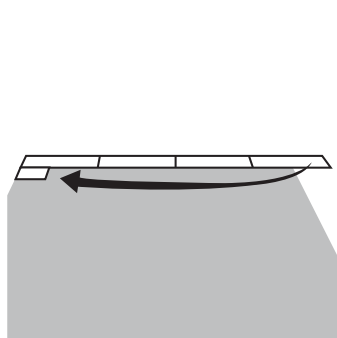


Fig 6. Second row First plank min length 500mm. Put a distance against the wall.

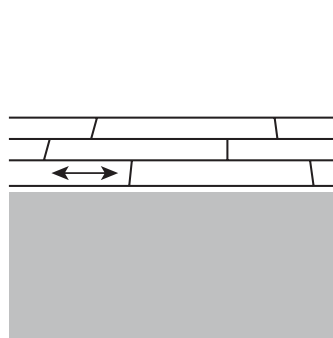


Fig 7. General. Distance between short ends.

Minimum distance between short ends of planks in parallel rows shall not be less than circa 400mm

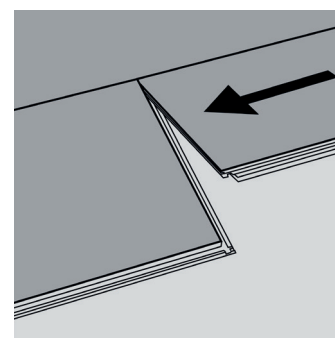


Fig 8a Second plank, second row Place the panel gently and tight to the short end of the previous panel.

Installation Instructions

Timba 14mm LOC Engineered Oak - 5G LOC

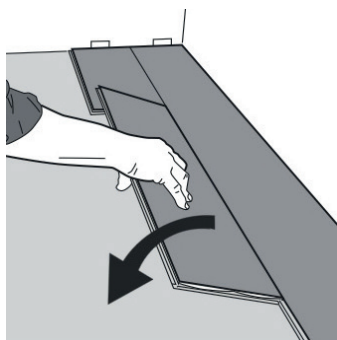


Fig 8b
Fold the panel down in a single action movement with a slight press to the left to the short end of previous panel.

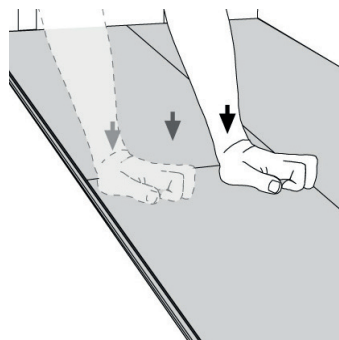


Fig 8c.
Press or knock slightly along the short end of the installed panel.

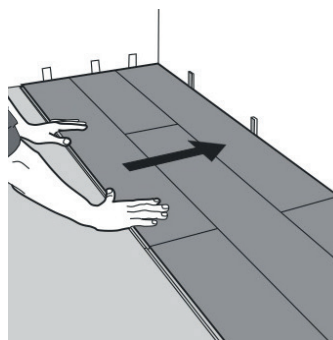


Fig 9
After 2-3 rows.
Adjust the distance to the front wall by placing distances of 10mm.

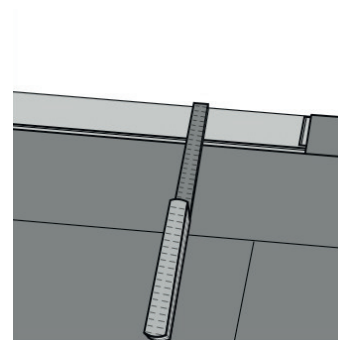


Fig 10.
Last row (and perhaps also first row)
Minimum width of 50mm.
Remember distance to wall circa 10mm.

During the fold down, make sure the panels are tight together.

DISASSEMBLING (WITHOUT TOOL)

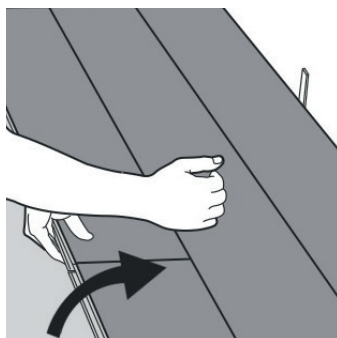


Fig 11.
Separate the whole row by carefully lifting up and slightly knocking just above the joint.

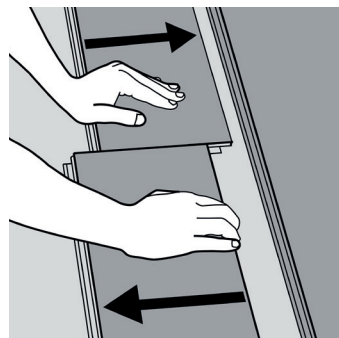


Fig 12.
Disassemble the panels by sliding horizontally.
DO NOT FOLD UP

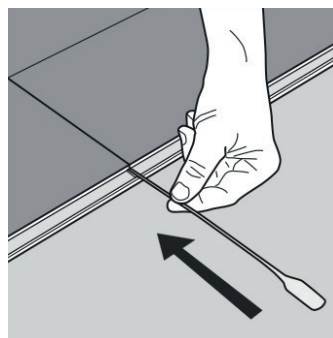


Fig 13.
Place a special Valinge Release Tool into the joint.

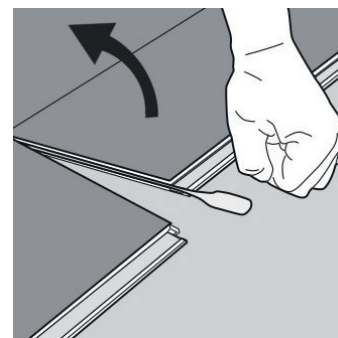


Fig 14.
Keep the left plank down to the floor and release the right plank - fold it up.

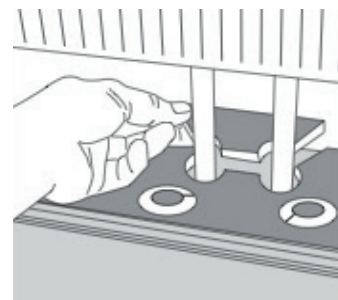
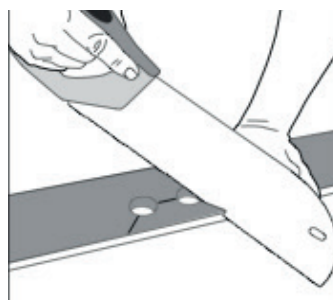
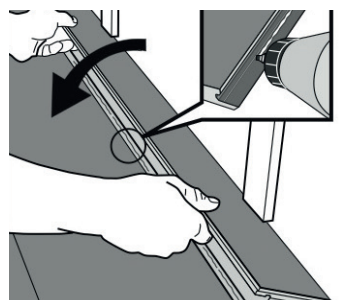
Fold up and release the whole long side.

SPECIAL INSTALLATIONS

Small panel widths

Joining at short ends length cut panels. Cut the tongue at the same time you cut the length of the panel and install as shown above.

Please not that the smallest width of a panel is ca 50mm at the last row - if not - first row must be adjusted.



Radiator Pipes

Installation at radiators. Drill the holes 20mm larger than the diameter of the pipes.

Warranty Information

Timba 14mm LOC Engineered Oak - 5G LOC

WARRANTY UK

1. Timba is responsible for manufacturing defects.
2. The warranty lasts for 15 years starting from the date of purchase. The original invoice is proof of date of purchase.
3. Timba flooring must be installed correctly according to the above mentioned instructions. The warranty covers normal domestic use. The warranty does not cover the use in damp and wet spaces, such as conservatories, bathrooms and kitchens.
4. Floor boards showing visible defects should not be installed. It is the responsibility of the owner/fitter to deselect these boards at time of installation. These boards are to be allowed for in the 5% waste tolerance. Boards with visible defects that are installed as such are excluded from this warranty. Colour and grade de-selection is not allowed for as this is personal choice and not a defect in manufacture. Finished flooring, i.e. lacquered, stained, oiled, brushed, or other finished flooring is subject to normal domestic wear and is not covered by this warranty, i.e. if you don't maintain the floor correctly, the warranty is null and void.
5. Excluded under this warranty are: scratches, heavy impacts, humidity, and damage caused by incorrect use or lack of correct maintenance.
6. If you have a defect which falls under the conditions mentioned in this warranty, you should report this to your dealer in writing within 14 days after detecting the defect. In your letter you should include a copy of the invoice.
7. The warranty provided only relates to the floor boards supplied, consequently it does not include labour costs, the costs of additional material and any other consequential loss.
8. In case of a dispute arising from the Timba warranty, either party may call upon an independent expert to render binding advice. In the event that this clause is applicable, the cost of same shall be agreed on in writing by all parties involved in advance.
9. Inspection costs that may apply to climatic or pre-installation checks must be covered by the installer.
10. The 15 year warranty period will continue from original date of purchase and will not be affected by subsequent resolution of any complaint.
11. Where the Timba warranty applies, Timba or its distributors will replace the faulty floor boards. In case the product in question is no longer available, Timba will ensure replacement by an alternative product of the same quality.
12. This warranty shall apply only to the original owner/purchaser of this wood floor.


WARRANTY WILL NOT BE APPLICABLE IN CASE OF:

1. The floor not having been fitted in accordance with the instructions by a properly qualified installer.
2. The faults were noticeable prior to the floor being fitted. Defects and/or faults that have arisen due to dampness and/or water damage, the calamite being outside of the manufactures instructions or by any other instance as a result of force majeure

3. Defects and/or faults having been caused by improper use or negligence and failure to use the product for its intended purpose, as well as having been caused by having disregarded the instructions with respect to installation, use and maintenance.
4. Visual faults having arisen as a result of any deformation of the floor boards due to changed climate conditions, any variations in colour due to the influence of sunlight and the effects of regular aging and/or wear and tear of the finishing coat. Stains or mechanical damage of the surface (scratches and dents etc.) resulting from improper treatment during transport, storage and any damage caused by stiletto heels, furniture, stones, sand, pets etc.

MANUFACTURING TOLERANCE

ENGINEERED HARDWOOD FLOORS ARE A NATURAL PRODUCT AND AS SUCH ARE SUBJECT TO MANY VARIANCES IN COLOUR AND CHARACTER IN EACH INDIVIDUAL PIECE OF FLOORING, WE ALWAYS THEREFORE RECOMMEND YOU WORK FROM 3-4 PACKS OF FLOORING AT A TIME IN ORDER TO GET THE BEST NATURAL COLOUR MIX. AS SUCH A TOLERANCE OF 5% SHOULD BE ALLOWED FOR THE DESELECTION OF ANY MATERIAL DEEMED UNSUITABLE FOR INSTALLATION. THIS PRODUCT IS PRODUCED WITH A MANUFACTURING TOLERANCE OF + OR - 1.5% ON THE DIMENSION OF THE BOARD AND IN LINE WITH SPECIFIED TIMBER MANUFACTURING GUIDELINES, AS SUCH ANY ITEMS OUT OF TOLERANCE SHOULD BE DISMISSED AS PART OF THE 5% MANUFACTURING TOLERANCE.

	SWI UK / Timba Floor Unit 5/6 Holman Way, Trident Business Park, Nuneaton, Warwickshire, CV11 4PN
	EN 14342:2005+A1:2008 Engineered Wood Flooring with LOC for interior use
Reaction to fire linked with the minimum mean density and minimum overall thickness	Dfl-S1 14mm 620 kg/m ³
Emission (release) of formaldehyde	E1
Emission of pentachlorophenol	<5ppm
Breaking strength (max. load) and span	1.9KN / 400mm
Slipperiness	NPD
Thermal conductivity	0.13 W/(mk)
Biological durability:	Class 1

Grading Specification

Timba 14mm LOC Engineered Oak - 5G LOC

Grade	PRIME	AB	NATURAL	STANDARD	VINTAGE
Description	Mixed texture, best appearance, selected to assure uniformity in colour.	Mixed texture, with colour variations, no splits, holes or voids.	Mixed texture, wavy grain with colour variations, presence of knots or different dimensions.	Mixed texture, wavy grain with frequent even big knots, however filled. Sapwood may also be present.	Mixed texture, wavy grain with different dimensions of knots, splits however filled. Sapwood may also be present.
Factory Grade	AB	ABC	ABCD	CD	CDE
Grading Mix	A:B = 50%:50%	AB:C = 30%:70%	AB:CD = 30%:70%	C:D = 50%:50%	CD:E = 90%:10%

	A	B	C	D	E
Live Knot	3 allowed diameter ≤5mm	3 allowed diameter ≤10mm	3 allowed diameter ≤20mm	Not restricted	Not restricted
Factory Grade	Not allowed	2 allowed diameter ≤5mm, sparse	2 allowed diameter ≤15mm, sparse	5 allowed, diameter ≤50mm	5 allowed, diameter ≤50mm
Holes	Not allowed	Not allowed	Not allowed	2 allowed every 1000mm in board length, diameter < 30mm	Not restricted
Sapwood	Not allowed	≤10% of plank's width (mending)	≤20% of plank's width (mending)	≤30% of plank's width (mending)	Not restricted
Colour Variation	Not allowed	Natural and Harmonic	Natural and Harmonic	High Contrast is not allowed	Not restricted
Rot	Not allowed	Not allowed	Not allowed	Not allowed	Not allowed
Inbark	Not allowed	Not allowed	Not allowed	2 allowed every 1000mm in board length, size <40mm x 5mm (mending)	3 allowed every 1000mm in board length, size <80mm x 5mm (mending)
Pith	Not allowed	Not allowed	Not allowed	Not allowed	Not allowed
Splits / Cracks	Not allowed	Not allowed	Not allowed	End splits, Size ≤15cm x 3mm (mending) Central splits, 2 allowed, Size ≤15cm x 3mm (mending)	End splits, Size ≤ 20cm x 3mm (mending) Central splits, 2 allowed, Size ≤20cm x 3mm (mending)
Brown Line	Not allowed	Not allowed	4 allowed, sparse, length ≤15mm width 3mm	4 allowed, sparse, length ≤30mm width 5mm	6 allowed, sparse, length ≤30mm width 5mm
Stains	Not allowed	Not allowed	Not allowed	Not allowed	Slight
Wormholes	Not allowed	Not allowed	Not allowed	Not allowed	Not allowed
Wane	Not allowed	Not allowed	Not allowed	Not allowed	Not allowed
Discolouration	Not allowed	Not allowed	Not allowed	Slight and Natural	Slight and Natural

*all grading is subject to a tolerance of +/- 5%

Please consult the end label of the box to confirm the grade of material you have purchased.



Timba floor is brand imported by SWI-UK BV,

Registered International Office:
Den Ijp 10, 1127 PA Landsmeer, The Netherlands
www.timbafloor.com