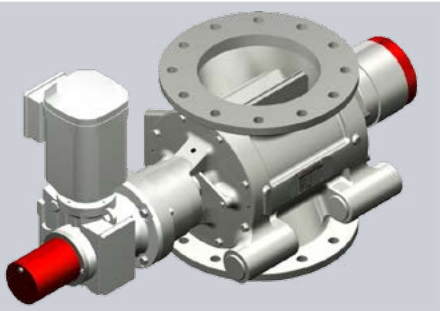
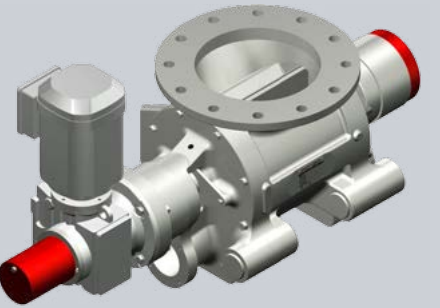


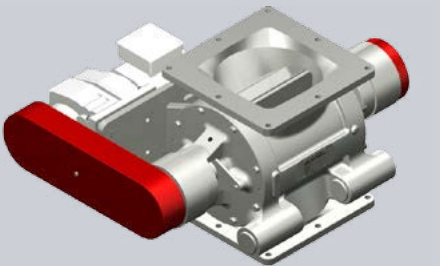
HDMC heavy duty modular cleanable rotary valves and BSMC blowing seals



HDMC Rotary valve with direct drive



BSMC Blowing seal with direct drive



HDMC Rotary valve with chain drive

HDMC Rotary and BSMC Blowing seal cleanable range is a cost effective solution based on the HDM/BSM valves for occasional cleaning of the valve internals. The non-drive end cover can be quickly removed to gain access for cleaning which can be carried out by plant operators without the need for special tools. Various standards of finish are available to suit most hygienic applications; however, for the more stringent requirements and frequent cleaning consider the HDMF/BSMF fast clean rotary valve range.

With the design being modular and the cleanable range incorporating a tapered rotor, this valve can be converted into a fast clean version (HDMF/BSMF) by simply retrofitting guide rails and the Rotalign™ bearing assembly, which is our selfcentralsing rotor design.

Typical applications

- Metering device, airlock, explosion containment, flame barrier and system isolation.
- Suitable for gravity, positive pressure and vacuum conveying systems.
- Powders, granules, pellets, grain, feed and chips.
- Can be adapted for virtually all types of product characteristics.

Advantages:

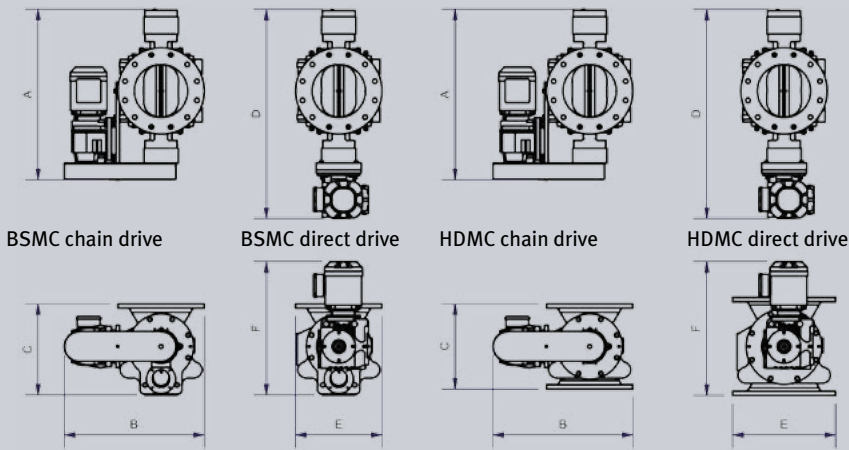
- Tapered rotor and bore.
- Over 15,000 different configurations that can be adapted to suit virtually all applications
- 18 Month warranty.
- Valve housings are individually pressure tested for 10 bar(g) explosion and flame containment requirements.
- Backed up by 90 years collective applications experience.
- Can be converted in to a HDMF/BSMF fast clean.

Rota Val

Keeping the World's Industries Solidly in Control

Specifications

Size	• 150-400 mm
Throughput	• Up to 50 m ³ /hr
Flanges	• Round or square, special flange configurations available
Construction	• Cast iron, aluminium or stainless steel, special material grades available
Drive	• SEW chain or direct drive as standard
Finishes	• Polished, wear-resist hard chrome or tungsten carbide, non stick PTFE
ATEX	• Full range of dust and gas zones - 10 bar(g) fully autonomous versions



Approx Dimensions

Valve	A	B	C	D	E	F
BSMC 150	658	517	315	770	280	482
BSMC 200	708	586	365	820	343	526
BSMC 250	801	657	429	980	406	625
BSMC 300	881	837	476	1030	483	694
BSMC 350	965	912	557	1159	534	760
BSMC 400	1015	944	616	1209	597	789

Approx Dimensions

Valve	A	B	C	D	E	F
HDMC 150	658	517	280	770	280	477
HDMC 200	708	586	325	820	343	486
HDMC 250	801	657	400	980	406	596
HDMC 300	881	837	460	1030	483	678
HDMC 350	965	912	530	1159	534	733
HDMC 400	1015	944	590	1209	537	763

VALVE SIZE	150	200	250	300	350	400
PIPE SIZE O/D	63.5	76.2	88.9	101.6	127	152.4
PIPE SIZE I/D	57	69.7	82.4	95.1	120.5	145.9

VALVE SIZE	150	200	250	300	350	400
CAPACITY m³/hr/rpm	0.14	0.35	0.68	1.21	1.88	2.85

Switzerland ...
Gericke AG
T +41 44 871 36 36

Great Britain ...
Gericke Ltd.
T +44 16 13 44 11 40

France ...
Gericke SAS
T +33 1 39 98 29 29

Brasil ...
Gericke Brasil Ltda.
T +55 11 2598 2669

China ...
Gericke
(Shanghai) Pte Ltd.
T +86 21 5382 0108

Germany ...
Gericke GmbH
T +49 77 31 929 0

Great Britain ...
Rota Val Ltd.
T +44 12 49 65 11 38

Netherlands ...
Gericke B.V.
T +31 33 25 42 100

Singapore ...
Gericke Pte Ltd.
T +65 64 52 81 33

Indonesia ...
Gericke Indonesia
(Rep. Office)
T +62 21 2958 6753

Rota Val

Keeping the World's Industries Solidly in Control

sales@rotaval.co.uk

www.rotaval.co.uk