



HIF-1993D+BT

Wooden Home Hi-Fi System

User manual

Bedienungsanleitung

Manuel d'instructions

Manuale d'istruzioni

Manual de instrucciones

Gebruiksaanwijzing

Návod k použití

Návod na použitie

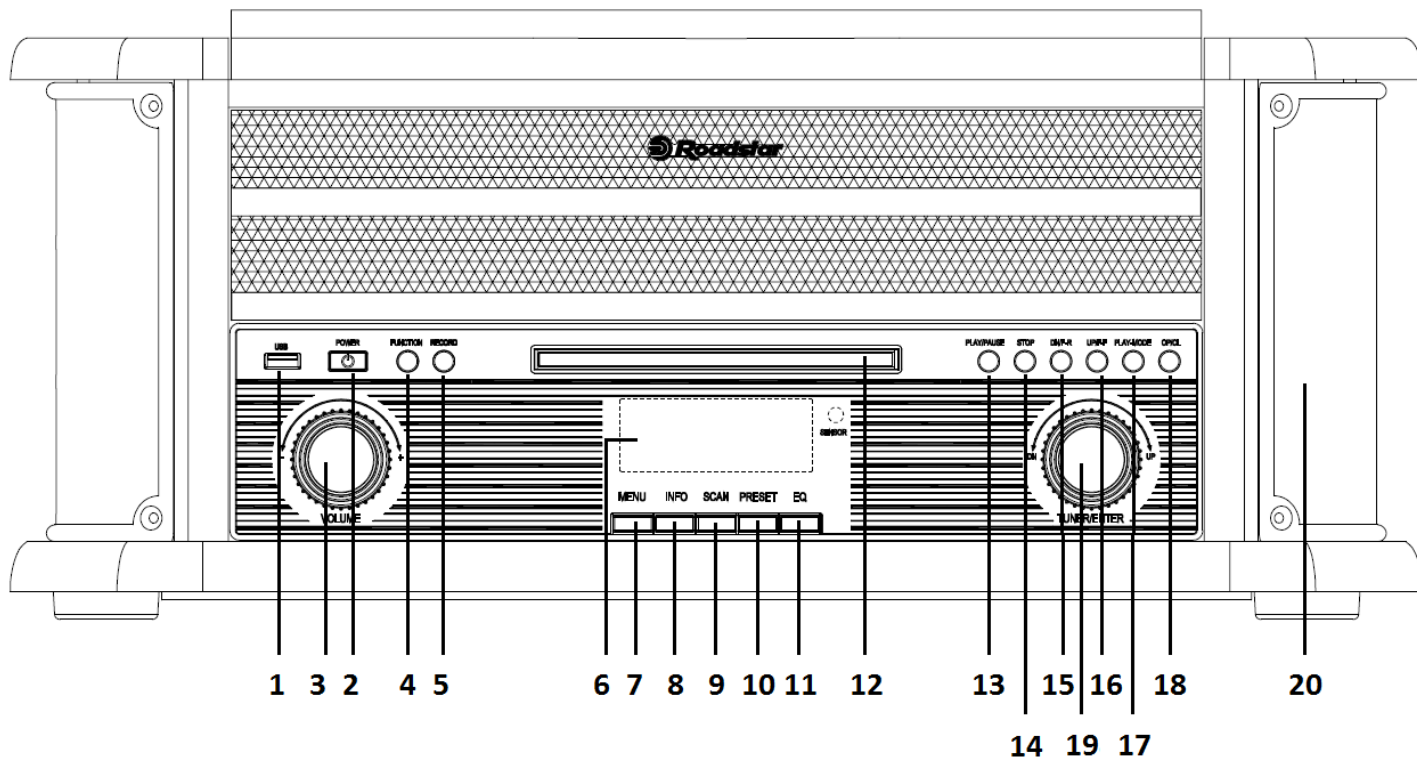
INDEX

English	Page	1
Deutsch	Seite	9
Français	Page	17
Italiano	Pagina	25
Español	Página	33
Nederlands	Page	41
Čeština	Strana	49
Slovenský	Strana	57

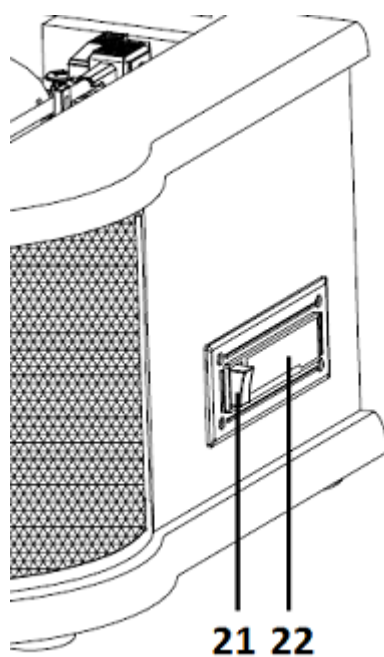
- Your new unit was manufactured and assembled under strict ROADSTAR quality control. Thank-you for purchasing our product for your music enjoyment. Before operating the unit, please read this instruction manual carefully. Keep it also handy for further future references.
- Ihr neues Gerät wurde unter Beachtung der strengen ROADSTAR Qualitätsvorschriften gefertigt. Wir danken Ihnen für den Kauf unseres Produktes und wünschen Ihnen optimalen Hörgenuss. Bitte lesen Sie diese Bedienungsanleitung durch, und heben Sie sie auf, um jederzeit darin nachschlagen zu können.
- Il vostro nuovo apparecchio é stato prodotto ed assemblato sotto lo stretto controllo di qualità ROADSTAR. Vi ringraziamo di aver acquistato un nostro prodotto per il vostro piacere d'ascolto. Prima di procedere all'utilizzo dell'apparecchio, leggete attentamente il manuale d'istruzioni e tenetelo sempre a portata di mano per futuri riferimenti.
- Votre nouvel appareil a été fabriqué et monté en étant soumis aux nombreux tests ROADSTAR. Nous espérons que cet appareil vous donnera entière satisfaction. Avant de vous adonner à ces activités, veuillez lire attentivement ce manuel d'instructions. Conservez-le à portée de main à fin de référence ultérieure.
- Seu novo aparelho foi construido e montado sob o estrito controle de qualidade da ROADSTAR. Agradecemos por ter comprado nosso produto para a sua diversão. Antes de usar esta unidade é necessário ler com atenção este manual de instruções para que possa ser usada apropriadamente; mantenha o manual ao seu alcance para outras informações.
- Vuestro nuevo sistema ha sido construido según las normas estrictas de control de calidad ROADSTAR. Le felicitamos y le damos las gracias por su elección de este aparato. Por favor leer el manual antes de poner en funcionamiento el equipo y guardar esta documentación en case de que se necesite nuevamente.

HIF-1993D+BT

FRONT

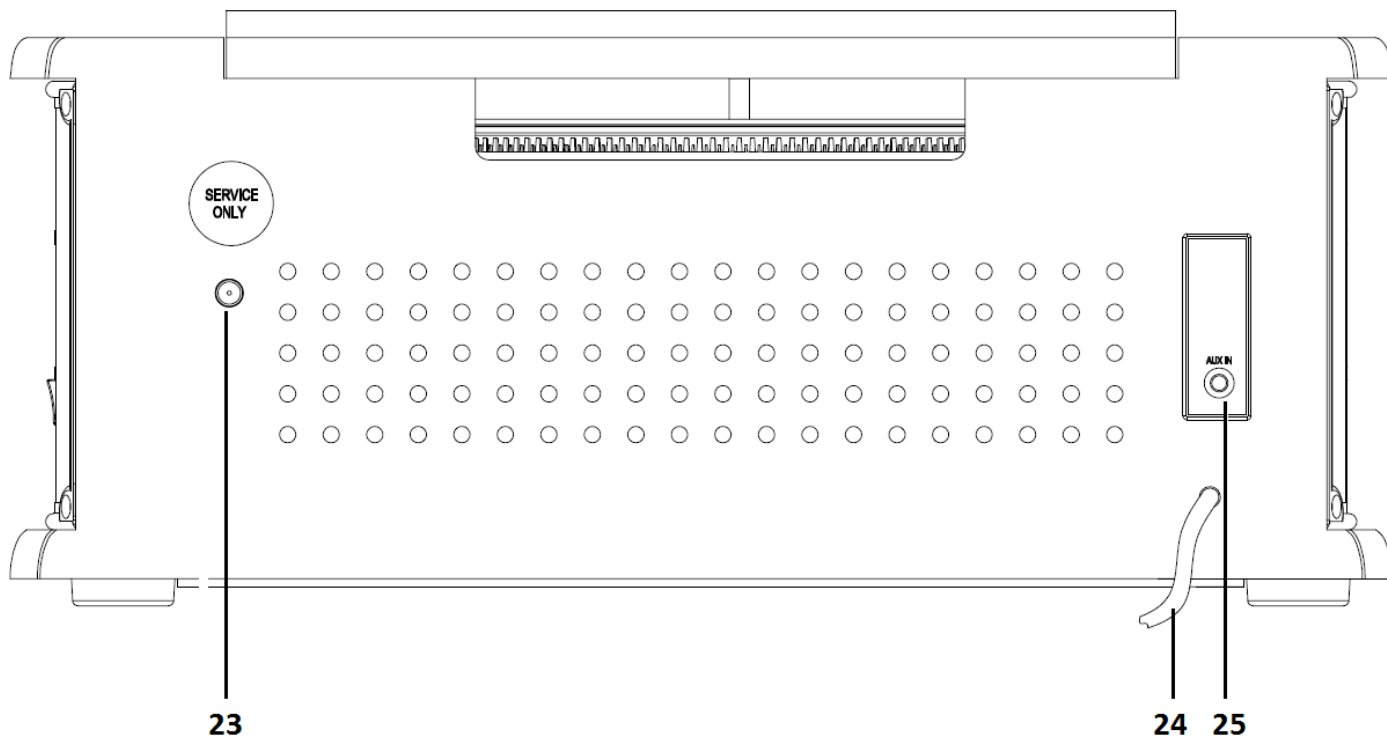


RIGHT SIDE

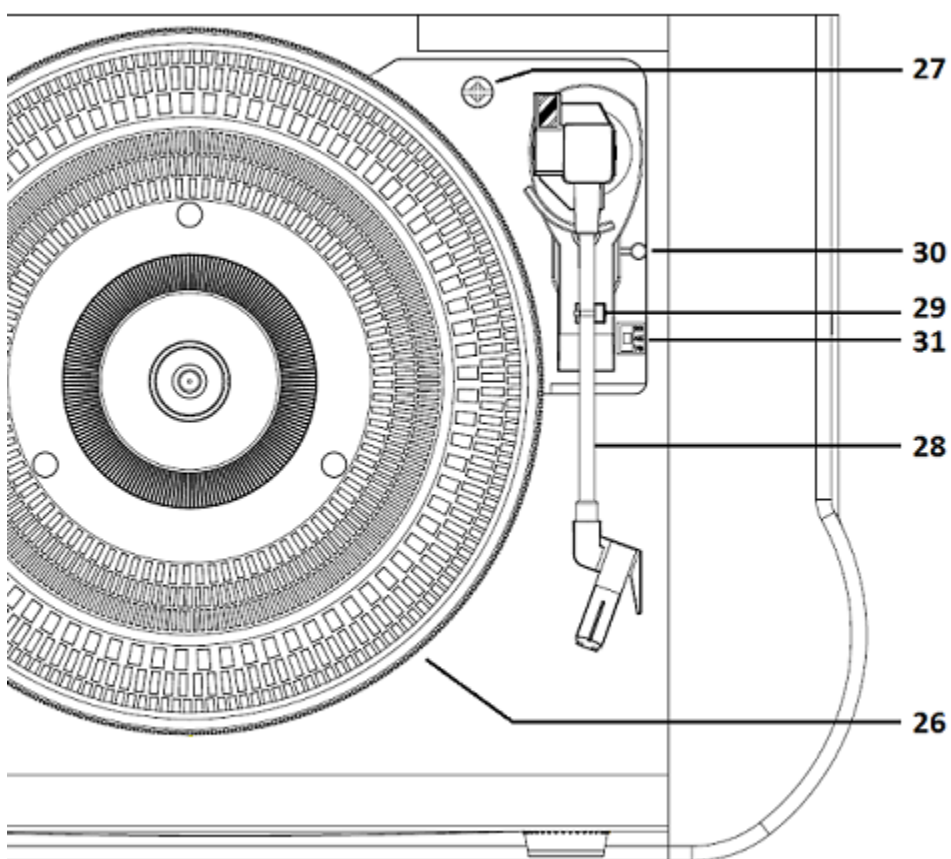


HIF-1993D+BT

REAR

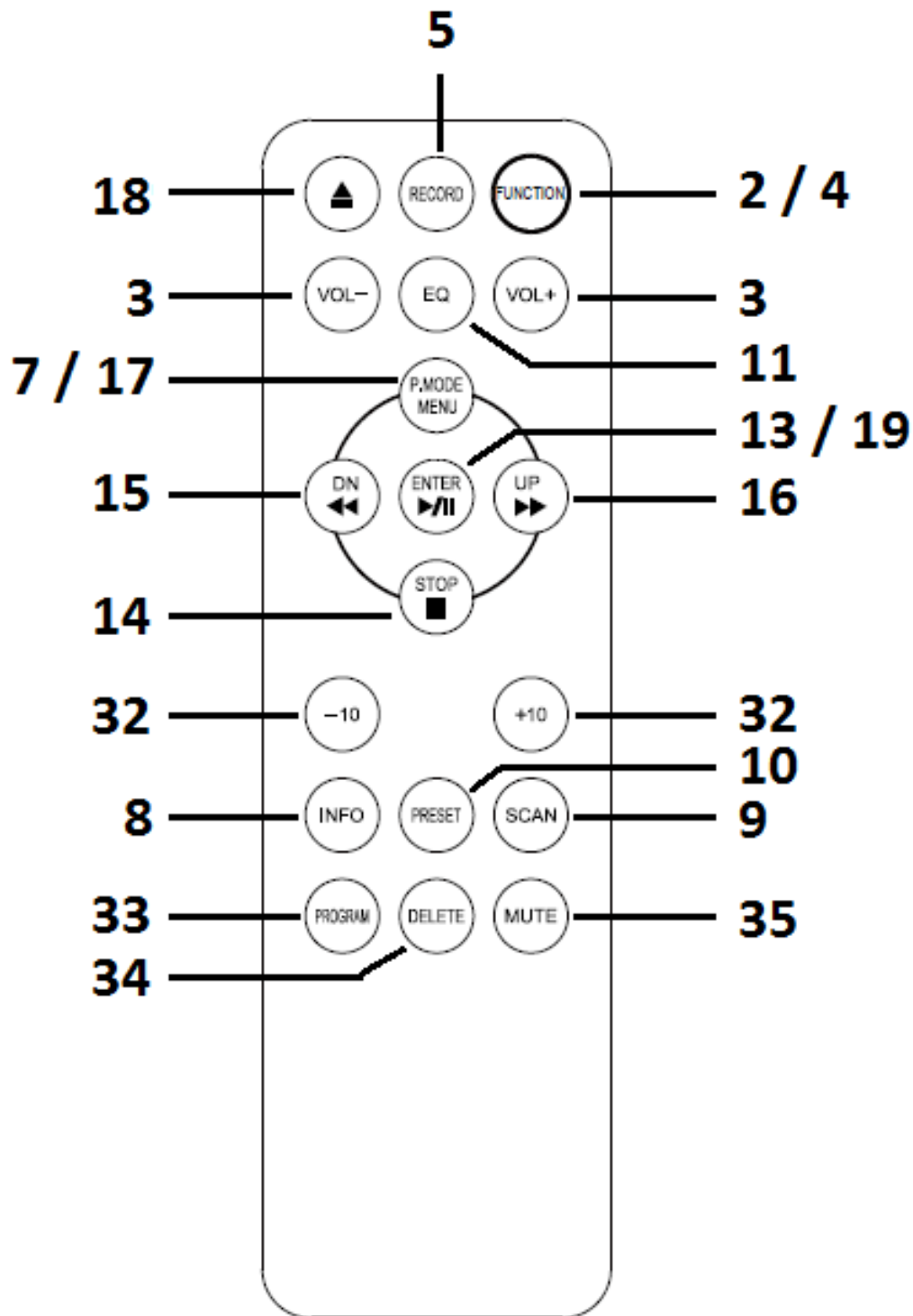


TOP



HIF-1993D+BT

REMOTE CONTROL



LOCATION OF CONTROLS

1. USB PORT
2. POWER ON/OFF BUTTON (On the remote press & hold for ON/OFF)
3. VOLUME KNOB
4. FUNCTION BUTTON
5. RECORD BUTTON
6. LCD DISPLAY
7. MENU
8. INFO
9. SCAN
10. PRESET
11. EQUALIZER
12. CD DOOR
13. PLAY / PAUSE: Press to play. When it plays, press to stop playback temporarily and press again to resume playback.
14. STOP: Press when you want to finish playback.
15. SKIP - / REWIND: Press to go to the previous track, press & hold to go back fast.
16. SKIP + / FAST FORWARD: press to go to the next track, press & hold to fast forward.
17. PLAY-MODE: press repeatedly to choose the play-mode (REPEAT, RANDOM)
18. CD DOOR OPEN/CLOSE BUTTON
19. TUNING KNOB / ENTER: (Press to "ENTER")
20. SPEAKERS
21. CASSETTE FFD/EJ
22. CASSETTE MECHANISM
23. ANTENNA SOCKET
24. POWER CORD
25. AUXILIARY INPUT
26. TURNTABLE PLATE
27. TRANSIT SCREW
28. TONE ARM
29. TONE ARM LOCK
30. LIFT LEVER
31. 33/45/78 RPM SPEED SELECTOR

REMOTE CONTROL

32. - / + 10 TRACK
33. PROGRAM BUTTON
34. DELETE BUTTON
35. MUTE BUTTON

PRECAUTIONS

- **INSTRUCTIONS** - All the safety and operating instructions should be read before the radio is operated. The manual should be retained for future reference.
- **HEED WARNINGS** - All warnings on the appliance and in the operating instructions should be adhered to.
- **WATER AND MOISTURE** - The appliance should not be used near liquids or in rooms with a high level of humidity.
- **VENTILATION** - The appliance should be situated so that its location or position does not interfere with its proper ventilation.
- **HEAT** - The appliance should be situated away from heat sources such as radiators, stoves or other appliances that produce heat.
- **POWER SOURCE** - The radio should be connected to power supply only of the type described in the operating instructions or as marked on the appliance.
- **POWER CORD PROTECTION** - Power supply cords should be routed so that they are not likely to be walked on or pinched by items placed upon/against them.
- **OBJECT AND LIQUID ENTRY** - Care should be taken so that objects do not fall and liquids are not spilled into the enclosure through openings.
- **DAMAGE REQUIRING SERVICE**
The appliance should be serviced by qualified service personnel when:
 - The power supply cord or plug has been damaged;
 - Objects have fallen into or liquids has been spilled into the radio;
 - The appliance has been exposed to rain;
 - The appliance has been dropped or the enclosure damaged;
 - The appliance does not appear to operate normally.
- **SERVICING** - The user should not attempt to service the appliance beyond that describe in the user operating instructions. All the servicing should be referred to qualified service personnel

Note: If the display does not function properly or no reaction to operation of any control may due to the electrostatic discharge. Switch off and disconnect the AC cord then turn the power back on after a few seconds.

POWER SOURCES

AC POWER: You can power your portable stereo system by plugging the AC power cord (24) into a wall power outlet. Check that the rated voltage of your appliance matches your local voltage.

TO USE THE RADIO

1. Press the **[POWER]** button (2) to turn ON the unit;
2. Select the desired audio source by pressing the **[FUNCTION]** button (4);
3. (Please see detailed instructions for each Source in the following chapters);
4. Adjust the volume with the **[VOLUME KNOB]** (3) to the desired level;
5. Press and hold the **[POWER]** button (2) to turn OFF the unit.

Note: When no sound is produced, the unit will switch OFF automat. after 10 minutes.

NAVIGATE INTO THE MENU

In FM / DAB mode there is an option menu.

1. Press **[MENU]** (7) to access to the options.
2. Turn the **[TUNING KNOB]** (19) to navigate into the options.
3. Press **[ENTER]** (19) to select the options.
4. Press **[MENU]** (7) to exit the menu.

SYSTEM SETTINGS

In FM / DAB mode, press **[MENU]** (7) and use **[SKIP +/-]** (15/16) or **[TUNING KNOB]** (19) to select "SYSTEM";

- Time: To set the desired time option:
 - Set Time/Date;
 - Auto Update;
 - Set 12 / 24 Hours;
 - Set Date Format.
- Language: select this option to change the system language.
- Software Upgrade: select this option if a new software version is released.
- SW version: select this option to see the current software version.

CLOCK AND DATE SETTING

In DAB / FM mode:

1. press **[MENU]** (7);
2. Use **[SKIP +/-]** (15/16) or **[TUNING KNOB]** (19) to select "SYSTEM";
3. Confirm with the **[ENTER]** button (19);
4. Use **[SKIP +/-]** (15/16) or **[TUNING KNOB]** (19) to select "TIME";
5. Confirm with the **[ENTER]** button (19);
6. Use **[SKIP +/-]** (15/16) or **[TUNING KNOB]** (19) to select "SET TIME / DATE";
7. Confirm with the **[ENTER]** button (19);
8. Use **[SKIP +/-]** (15/16) or **[TUNING KNOB]** (19) to adjust the hour;
9. Confirm with the **[ENTER]** button (19);
10. Use **[SKIP +/-]** (15/16) or **[TUNING KNOB]** (19) to adjust the minutes;
11. Confirm with the **[ENTER]** button (19);
12. Repeat steps 10 and 11 to set the date.

DAB RADIO OPERATION

1. Select "DAB" mode by pressing repeatedly the **[FUNCTION]** button (4);
2. To select the desired radio station press repeatedly the **[SKIP +/-]** buttons (15/16).

DAB PRESET

You can program a maximum of 20 preset radio stations.

1. Select your favourite station as explained before;
2. Press and hold **[PRESET]** button (10). "Preset Store" will appear on display;
3. Press **[SKIP -/+]** (15/16) to select the preset number;
4. Press **[ENTER]** (19) to confirm.

To recall a preset station press the **[PRESET]** (10) then press the **[SKIP -/+]** button (15/16) to choose the preset number and confirm with **[ENTER]** (19).

DAB MENU

Press **[MENU]** (7) to access to the options.

- **Full Scan:** select this option to perform a full scan of the available DAB programs. You can press **[SCAN]** (9) to perform the same action.
- **Manual Tune:** select this option to select manually the DAB frequency.
- **DRC:** select this option to choose between DRC low, DRC high and DRC off.
- **Prune:** select this option to choose between PRUNE stations on or off.

DAB INFO

Repeatedly press **[INFO]** (8) to see the following informations: NAME / KBPS / DATE / TIME.

FM RADIO OPERATION

1. Select "FM" mode by pressing repeatedly the **[FUNCTION]** button (4);
2. Turn the **[TUNING KNOB]** (19) to manually select the frequency or press **[SCAN]** button (9) to scan the next/previous available station.

FM PRESET

See DAB PRESET instructions.

FM MENU

Press **[MENU]** (7) to access to the options.

- **Scan Setting:** select this option to choose between scanning all stations or only the strong stations.
- **Audio Setting:** select this option to choose between forcing mono audio or allowing stereo sound.

FM INFO

Repeatedly press **[INFO]** (8) to see the following informations: KIND OF PROGRAM / FREQUENCY / AUDIO / DATE / TIME.

TURNTABLE OPERATION

Note: When using the turntable for the first time, unscrew in clockwise sense the **[TRANSPORT SCREW]** (27) located on the upper right side of the turntable.

1. Select "PHONO" mode by pressing repeatedly the **[FUNCTION]** button (4);
2. Place a record on the turntable. Place the EP adapter over the central spindle when playing 45 rpm records;
3. Set the **[SPEED SELECTOR]** (31) to 33, 45 or 78 rpm according to the record;

4. Release the **[TONEARM CLAMP]** (29), and remove the stylus protector;
5. Lift up the **[TONEARM]** (28) with the **[LIFT LEVER]** (30);
6. Move the **[TONEARM]** (28) to the beginning of the record;
7. Lift down the **[TONEARM]** (28) with the **[LIFT LEVER]** (30);
8. When the record is finished the **[TONEARM]** (28) will automatically return to the rest support and the **[PLATE]** (26) will stop turning. To stop manually, lift up the tonearm from the record and return it to the rest support.

Note: Do not stop or turn the **[PLATE]** (26) manually.

When the unit is moved or transported:

- Lock the **[TONEARM]** (28) with the **[TONEARM CLAMP]** (29);
- Place the protective cap on the stylus (even when not in use);
- Screw the **[TRANSPORT SCREW]** (27) counterclockwise until you feel resistance (do not screw it completely).

CD-MP3 OPERATION

1. Select “CD” mode by pressing repeatedly the **[FUNCTION]** button (4);
2. Press **[OPEN/CLOSE]** (18) to open the **[CD DOOR]** (12) and place a CD with the label up in the CD compartment.
3. Close the **[CD DOOR]** (12). Focus search is performed and playback will start automatically from the first track.

PROGRAMMING

Up to 99 tracks (MP3, 20 in CD) can be programmed and play in any order.

1. Stop the playback by pressing **[STOP]** (14);
2. Press **[PLAY MODE]** (17), the display (6) will show “P01” and flash;
3. Select desired track by using **[SKIP -/+]** buttons (15/16);
4. Press **[PLAY MODE]** (17) again to confirm desired track into the program memory;
5. Repeat step 3 and 4 to enter additional tracks into the program memory.
6. When all the desired tracks have been programmed, press **[PLAY]** (13) to play the disc in the order you have programmed.

Note: Press **[STOP]** (14) twice to terminate programmed play.

USB OPERATION

1. Select “USB” mode by pressing repeatedly the **[FUNCTION]** button (4);
2. Plug an USB stick (max. 32GB) into the **[USB PORT]** (1);
3. Playback will start automatically from the first track.

PROGRAMMING

The PROGRAMMING operation is the same as that of CD-MP3.

Notes:

- Some mp3 player may not be able to play via the usb socket. this is not a malfunction of the system.
- To avoid damage to USB memory, remove it only when the radio is turned off.
- The USB port is not designed for charging smartphones or other devices.

TAPE OPERATION

1. Select "TAPE" mode by pressing repeatedly the **[FUNCTION]** button (4);
2. Insert a cassette TAPE into the **[CASSETTE MECHANISM]** (22);
3. The system will start playback automatically;
 - Press **[TAPE FORWARD/EJECT]** button (21) half way during playback to start rapid tape winding in forward direction.
 - Slightly press the **[TAPE FORWARD/EJECT]** button (21) again to resume playback.
 - Press the **[TAPE FORWARD/EJECT]** button (21) completely inwards and the cassette tape will be ejected.

BLUETOOTH OPERATION

1. Select "BT" mode by pressing repeatedly the **[FUNCTION]** button (4);
2. Connect your Bluetooth portable device to the ID Bluetooth tagged as "HIF-1993D+BT";
3. You can now transfer the music to the HIF-1993D+BT.

Note: Music control (play, pause, etc) must be done from your ext. device.

AUX-IN OPERATION

1. Select "PHONO" mode by pressing repeatedly the **[FUNCTION]** button (4);
2. Use one male to male 3.5mm jack cable (not included) to connect any external audio device to the **[AUX-IN SOCKET]** (25);

Note: Music control (play, pause, etc) must be done from your external device.

DIRECT USB ENCODING

Remark:

- Recording speed is 1:1.
- No song title will be recorded during encoding mode.
- To avoid damage to USB memory, remove it only when the radio is turned off.

ENCODE FROM DAB RADIO, PHONO, CASSETTE, BLUETOOTH AND AUX-IN:

1. Plug the USB stick into the **[USB PORT]** (1);
2. Perform normal playback of the source you want to encode & record;
3. Press the **[RECORD]** button (5) twice to start encoding. On the display will flash "USB";
4. Once the record is finished, press the **[STOP]** button (14) to stop recording.

ENCODE FROM CD:

1. Plug the USB stick into the **[USB PORT]** (1);
2. Perform normal playback of the CD you want to encode & record;
3. After focus search is completed, press the **[RECORD]** button (5);
4. Press repeatedly the **[SKIP +/-]** button (15/16) during the playback to select the desired encoding option:
 - REC-1: Select to record only the current track;
 - REC-F: Select to record the whole folder;

- REC-A: Select to record all the tracks of the CD.
5. Press the **[RECORD]** button (5) to confirm;
 6. The playback will stop and restart automatically and on the display (6) “REC” will flash. Encoding is performing now;
 7. Press the **[STOP]** button (14) to finish recording.

Note: After completing of encoding, unit will stop playback and encoding automatically.

DELETE TRACKS FROM USB

1. Perform normal playback of the track you want to delete;
2. During playback of the track you want to delete, press the **[DELETE]** button (34) on the remote control twice.

TECNICAL SPECIFICATIONS

Power

Power Supply: AC 230V ~ 50Hz.

Radio Frequency Coverage

DAB+ / DAB: BAND III 174.928MHz - 239.200MHz.

FM: 87.5 - 108 MHz.

Speaker

Output Power: 2 x 5 Watt rms.

Max. Output Power: 2 x 40 Watt

General

Aux-In: 3.5mm jack plug.

BT Maximum radiated Power: 2.5 mW (4 dBm).

USB Port Version: USB 3.0 / 200 mA

Specifications and design are subject to possible modifications without notice due to improvement.

WARNINGS



The exclamation point within the triangle is a warning sign alerting the user of important instructions accompanying the product.



The lightning flash with arrowhead symbol within the triangle is a warning sign alerting the user of "dangerous voltage" inside the unit.



To reduce the risk of electric shock, do not remove the cover. No user serviceable parts inside the unit. Refer all servicing to qualified personnel.

230v~



This unit operates on 230V ~ 50Hz. If the unit is not used for a long period of time, remove the plug from the AC mains.



Ensure all connections are properly made before operating the unit.



This unit must not be exposed to moisture or rain.



This unit should be positioned so that it is properly ventilated. Avoid placing it, for example, close to curtains, on the carpet or in a built-in installation such as a bookcase.

Do not expose this unit to direct sunlight or heat radiating sources.

CORRECT DISPOSAL OF THIS PRODUCT (Waste Electrical & Electronic Equipment)



This marking shown on the product or its literature, indicates that it should not be disposed with other household wastes at the end of its working life. To prevent possible harm to the environment or human health from uncontrolled waste disposal, please separate this from other types of wastes and recycle it responsibly to promote the sustainable reuse of material resources. Household users should contact the retailer where they purchased this product, or their local government office, for details of where and how they can take this item for environmentally safe recycling. Business users should contact their supplier and check the terms and conditions of the purchase contract. This product should not be mixed with other commercial wastes for disposal.

LAGE DER BEDIENELEMENTE

1. USB-BUCHSE
2. POWER (EIN/AUS SCHALTEN)
3. LAUTSTÄRKE REGLER
4. FUNCTION TASTE
5. RECORD (AUFNAHME TASTE)
6. LCD DISPLAY
7. MENU
8. INFO
9. SCAN
10. PRESET
11. EQUALIZER
12. CD LAUFWERK
13. PLAY / PAUSE: Drücken Sie die Taste um die Wiedergabe zu starten. Drücken Sie die Taste wiederholt um die Wiedergabe zu pausieren und erneut um die Wiedergabe vortzusetzen.
14. STOP: Drücken Sie die Taste, um die Wiedergabe zu stoppen.
15. SKIP - / REWIND: Drücken Sie Taste um zur vorherigen Wiedergabe zu gelangen. Halten Sie die Taste gedrückt um die Wiedergabe zurück zu spulen.
16. SKIP + / FAST FORWARD: Drücken Sie Taste um zur nächsten Wiedergabe zu gelangen. Halten Sie die Taste gedrückt um die Wiedergabe vor zu spulen .
17. PLAY-MODE: Drücken Sie die Taste wiederholt um den Wiedergabe Modus zu ändern (Repeat, Random).
18. OPEN / CLOSE CD DOOR (CD FACH ÖFFNEN / SCHLIESSEN)
19. TUNING REGLER / ENTER (Drücken Sie die Taste um im Menü zu bestätigen)
20. LAUTSPRECHER
21. TAPE FORWARD / EJECT (KASSETTE SCHNELLER VORWÄRTS- / AUSWURF -KNOPF): Betätigen Sie die Taste halb um vor zu spulen. Drücken Sie die Taste komplett um die Kassete auszugeben .
22. KASSETTEN LAUWERK
23. ANTENNEN EINGANG
24. NETZKABEL
25. AUX-IN EINGANG
26. PLATTENTELLER
27. TRANSPORTSCHRAUBE
28. TON ARM
29. TON ARM KLEMME
30. LIFTHEBEL
31. GESCHWINDIGKEITSWAHLSCHALTER (33/45/78rpm)

FERNBEDIENUNG

32. - / + 10 TRACK
33. PROGRAM TASTE
34. DELETE (LÖSCHEN-TASTE)
35. MUTE TASTE

SICHERHEITSHINWEISE

- **ANWEISUNGEN** - Alle Sicherheits- und Betriebshinweise sollten sorgfältig durchgelesen werden, bevor Sie das Radio in Betrieb nehmen.
- **WARNHINWEISE BEACHTEN** - Alle Warnhinweise am Gerät und in den Betriebshinweisen sollten befolgt werden.
- **WASSER UND FEUCHTIGKEIT** - Das Gerät sollte nicht in der Nähe von Flüssigkeiten oder in Räumen mit hoher Luftfeuchtigkeit benutzt werden.
- **BELÜFTUNG** - Das Gerät sollte so aufgestellt werden, dass die Luftzirkulation nicht beeinträchtigt wird.
- **WÄRME** - Das Gerät darf nicht in der Nähe von Wärmequellen, wie Heizkörpern, Öfen oder anderen Geräten platziert werden, die Wärme erzeugen.
- **STROMQUELLE** - Das Gerät sollte nur an die Stromversorgung angeschlossen werden, die in der Bedienungsanleitung oder auf dem Gerät angegeben ist.
- **NETZKABELSCHUTZ** - Netzkabel sollten so verlegt werden, dass man nicht auf sie tritt und so, dass sie nicht durch Gegenstände eingeklemmt werden.
- **EINTRITT VON FREMDKÖRPERN UND FLÜSSIGKEIT** - Es ist darauf zu achten, dass keine Objekte auf das Gerät fallen und dass keine Flüssigkeiten durch Öffnungen in das Gehäuse dringen.
- **BESCHÄDIGUNGEN, BEI DENEN WARTUNG ERFORDERLICH IST**
Das Gerät sollte von qualifiziertem Wartungspersonal gewartet werden, wenn:
 - Das Netzkabel oder der Netzstecker beschädigt wurde;
 - Gegenstände auf das Radio gefallen oder Flüssigkeiten eingedrungen sind;
 - Das Gerät Regen ausgesetzt worden ist;
 - Das Gerät heruntergefallen oder das Gehäuse beschädigt ist;
 - Das Gerät scheinbar nicht normal funktioniert.
- **WARTUNG** - Der Benutzer sollte nicht versuchen, das Gerät anders, als in der Bedienungsanleitung beschrieben, zu benutzen. Alle Wartungsarbeiten müssen von qualifizierten Servicemitarbeitern durchgeführt werden

Hinweis: Wenn das Display funktioniert nicht ordnungsgemäß oder reagiert nicht auf die Betätigung der Kontrolle, aufgrund einer elektrostatischen Entladung. Ziehen Sie das Netzkabel dann schließen Sie die Stromversorgung einige Sekunden später wieder an.

STROMQUELLEN

WECHSELSTROM: Sie können Ihr tragbares Stereosystem mit Strom versorgen, indem Sie das Netzkabel (24) an eine Steckdose anschließen. Überprüfen Sie, ob die Nennspannung Ihres Geräts mit Ihrer örtlichen Spannung übereinstimmt.

RADIO BENUTZUNG

1. Drücken Sie die Taste **[POWER]** (2) um das Gerät Ein zu schalten;
2. Wählen Sie die gewünschte Audioquelle durch Drücken der Taste **[FUNCTION]** (4) aus;
3. (Detaillierte Anweisungen für die verschiedenen Quellen finden Sie in den folgenden Kapiteln);

4. Verändern Sie die Lautstärke mit dem **[LAUTSTÄRKE REGLER]** (3) um die Lautstärke an Ihr hörempfinden an zu passen
 5. Halten Sie die **[POWER]** Taste (2) gedrückt, um das Gerät aus zu schalten.
- Hinweis:** Wenn kein Ton ausgegeben wird, schaltet sich das Gerät nach 10 Minuten automatisch aus

MENU-NAVIGATION

Im FM / DAB-Modus gibt es ein Optionsmenü:

1. Drücken Sie die Taste **[MENU]** (7) um in die Optionen zu gelangen .
2. Drehen Sie die **[TUNING REGLER]** (19) um in den Optionen zu navigieren.
3. Drücken Sie die Taste **[ENTER]** (19), um die Optionen auszuwählen.
4. Drücken Sie die Taste **[MENU]** (7), um das Menü zu verlassen.

SYSTEMEINSTELLUNGEN

Drücken Sie im FM / DAB-Modus **[MENU]** (7) und wählen Sie mit **[SKIP - / +]** (15/16) oder **[TUNING REGLER]** (19) "SYSTEM" aus.

- Time (Uhrzeit): die gewünschten Zeit optionen einstellen.
 - Set Time/Date (Zeit/Datum einstellen);
 - Auto update (Automatische Einstellung);
 - Set 12/24 Hours (12 / 24 Option einstellen);
 - Set Date Format (Datumsformat einstellen).
- Language (Sprache): Wählen Sie diese Option, um die Systemsprache zu ändern.
- Software Upgrade: Wählen Sie diese Option, wenn eine neue Softwareversion veröffentlicht wird.
- SW version: Wählen Sie diese Option, um die aktuelle Softwareversion anzuzeigen.

UHR- UND DATUMSEINSTELLUNG

DAB / FM-Modus:

1. Drücken Sie die Taste **[MENU]** (7);
2. Verwenden Sie die Taste **[SKIP -/+]** (15/16) oder den **[TUNING REGLER]** (19), um "SYSTEM" ("HAUPTMENU") zu wählen;
3. Bestätigen Sie mit der Taste **[ENTER]** (19);
4. Verwenden Sie die Taste **[SKIP -/+]** (15/16) oder den **[TUNING-REGLER]** (19), um "TIME" ("UHRZEIT") auszuwählen;
5. Bestätigen Sie mit der Taste **[ENTER]** (19);
6. Wählen Sie mit der Taste **[SKIP -/+]** (15/16) oder dem **[TUNING-REGLER]** (19) "SET TIME/DATE" ("ZEIT / DATUM EINSTELLEN") aus;
7. Bestätigen Sie mit der Taste **[ENTER]** (19);
8. Die Stundenanzeige auf dem Display blinkt. Verwenden Sie die Taste **[SKIP -/+]** (15/16) oder den **[TUNING-REGLER]** (19), um die Stunden einzustellen;
9. Bestätigen Sie mit der Taste **[ENTER]** (19);
10. Die Minutenanzeige auf dem Display beginnt zu blinken. Verwenden Sie die Taste **[SKIP -/+]** (15/16) oder den **[TUNING REGLER]** (19), um die Minute einzustellen;
11. Bestätigen Sie mit der Taste **[ENTER]** (19);

12. Wiederholen Sie Schritt 10 und 11, um das Datum anzupassen.

DAB RADIOBETRIEB

1. Wählen Sie den "DAB" -Modus durch wiederholtes Drücken der Taste **[FUNCTION]** (4) aus;
2. Um den gewünschten Radiosender auszuwählen, drücken Sie wiederholt die Taste **[SKIP -/+]** (15/16).

DAB PRESET

Sie können maximal 20 Radiosender als Preset programmieren.

1. Wählen Sie Ihre Lieblings-Radiosender im manuellen oder automatischen Modus.
2. Drücken und Halten Sie die Taste **[PRESET]** (10) bis "Preset Store" auf dem Display erscheint.
3. Drücken Sie die Taste **[SKIP -/+]** (15/16), um die Speichernummer zu wählen;
4. Bestätigen Sie mit der Taste **[ENTER]** (19).

Um einen voreingestellten Sender abzurufen, drücken Sie die Taste **[PRESET]** (10), dann drücken Sie wiederholt die Taste **[SKIP -/+]** (15/16), um die Speichernummer zu wählen und Bestätigen Sie mit der Taste **[ENTER]** (19).

DAB MENU

Drücken Sie die Taste **[MENU]** (7) um auf die Optionen zuzugreifen.

- **Full Scan:** Wählen Sie diese Option, um einen vollständigen Scan der verfügbaren DAB-Programme durchzuführen. Sie können die Suche auch mit der Taste **[SCAN]** (9) direkt auszuführen.
- **Manual Tune:** Wählen Sie diese Option, um die DAB-Frequenz manuell auszuwählen.
- **DRC:** Wählen Sie diese Option, um zwischen DRC low, DRC high und DRC off zu wählen.
- **Prune:** Wählen Sie diese Option, um nicht aktive Sender zu entfernen.

DAB INFO

Drücken Sie wiederholt die Taste **[INFO]** (8), um folgende Informationen zu sehen: NAME / KBPS / DATUM / ZEIT.

FM RADIOBETRIEB

1. Wählen Sie den "FM" -Modus durch wiederholtes Drücken der Taste **[FUNCTION]** (4) aus;
2. Drehen Sie den **[TUNING REGLER]** (19), um die Frequenz manuell auszuwählen, oder drücken Sie die Taste **[SCAN]** (9), und den nächsten verfügbaren Sender zu suchen.

FM PRESET

Siehe DAB PRESET Anweisungen.

FM MENU

Drücken Sie die Taste **[MENU]** (7), um auf die Optionen zuzugreifen.

- **Scan Setting:** Wählen Sie diese Option, um zwischen dem Scannen aller Sender oder nur der starken Sender zu wählen.

- **Audio Setting:** Wählen Sie diese Option, um zwischen der Erzwingung von Mono -Audio oder Stereo-Sound zu wählen .

FM INFO

Drücken Sie wiederholt die Taste **[INFO]** (8), um die folgenden Informationen zu sehen: NAME / ART DES PROGRAMMS / FREQUENZ / AUDIO / DATUM / ZEIT.

SCHALLPLATTEN MODUS

Hinweis: Wenn Sie den Schallplatten Betrieb zum ersten Mal verwenden, schrauben Sie die **[TRANSPORTSCHRAUBE]** (27) an der oberen rechten Seite des Drehtellers im Uhrzeigersinn rein.

1. Wählen Sie den "PHONO" Modus durch wiederholtes Drücken der Taste **[FUNCTION]** (4) aus;
2. Legen Sie eine Schallplatte auf den Plattenteller auf. Platzieren Sie den Adapter, wenn eine 45er Aufzeichnungen mit 45 U / Min wiedergegeben werden soll;
3. Stellen Sie den **[GESCHWINDIGKEITSWAHLSCHALTER]** (31) entsprechend der Aufzeichnung auf 33, 45 oder 78 U / min;
4. Lösen Sie die **[TONARMKLEMME]** (29) und entfernen Sie den Schutzkappe vom Tonnadelkopf;
5. Heben Sie den **[TONARM]** (28) mit dem **[LIFTHEBEL]** (30) an;
6. Bewege den **[TONARM]** (28) an den Anfang der Aufnahme;
7. Setzen Sie den **[TONARM]** (28) mit dem **[LIFTHEBEL]** (30) ab;
8. Wenn die Wiedergabe beendet ist, kehrt der **[TONARM]** (28) automatisch zur Tonarmablage zurück und die **[PLATTENTELLER]** (26) hört auf, sich zu drehen. Um die Wiedergabe manuell anzuhalten, heben Sie den **[TONARM]** (28) von der Schallplatte und legen ihn auf der Tonarmablage ab.

Hinweis: Stoppen oder drehen Sie den **[PLATTENTELLER]** (26) nicht manuell.

Wenn das Gerät bewegt bzw. transportiert wird :

- Sichern Sie den **[TONARM]** (28) mit der **[TONARMKLEMME]** (29).
- Setzen Sie die Schutzkappe auf den Tonnadelkopf (auch bei nichtbenutzung).
- Schrauben Sie die **[TRANSPORTSCHRAUBE]** (27) gegen den Uhrzeigersinn heraus bis ein Widerstand zu spüren ist (nicht komplett heraus schrauben).

CD-MP3 MODUS

1. Wählen Sie den "CD" -Modus durch wiederholtes Drücken der Taste **[FUNCTION]** (4) aus;
2. Drücken Sie die Taste **[OPEN/CLOSE]** (18), um das **[CD LAUFWERK]** (12) zu öffnen. Legen Sie eine CD mit dem Etikett nach oben zeigend ein;
3. Schließen Sie das **[CD LAUFWERK]** (12). Die CD Wiedergabe startet automatisch mit dem ersten Titel.

PROGRAMMIERUNG

Bis zu 99 Titel bei MP3 Wiedergabe und 20 Titel bei herkömmlichen Audio-CDs können programmiert und in beliebiger Reihenfolge abgespielt werden :

1. Drücken Sie die Taste **[STOP]** (14) um die Wiedergabe zu stoppen ;
2. Drücken Sie die Taste **[PLAY MODE]** (17). Das Display (6) zeigt „P01“ und blinkt;
3. Drücken Sie die Taste **[SKIP -/+]** (15/16) um den gewünschten Titel zu wählen;

4. Drücken Sie erneut die Taste **[PLAY MODE]** (17), um den gewünschten Titel im Programmspeicher zu speichern ;
5. Wiederholen Sie Schritte 3 und 4, um weitere Titel in den Programmspeicher einzugeben;
6. Wenn alle gewünschten Titel programmiert wurden, drücken Sie die Taste **[PLAY]** (13), um die CD in der von Ihnen programmierten Reihenfolge abzuspielen.

Hinweis: Drücken Sie zweimal die Taste **[STOP]** (14), um die programmierte Wiedergabe zu beenden.

USB MODUS

1. Wählen Sie den "USB" -Modus durch wiederholtes Drücken der Taste **[FUNCTION]** (4) aus;
2. Stecken Sie eine USB-Stick (max. 32GB) in die **[USB BUCHSE]** (1);
3. Die Wiedergabe beginnt automatisch mit dem ersten Titel.

PROGRAMMIERUNG

Der PROGRAMMIER-Vorgang ist der gleiche wie der von CD-MP3.

Hinweis:

- Einige MP3-Player können möglicherweise nicht über den USB-Anschluss wiedergegeben werden.
- Um Schäden am USB-stick zu vermeiden, entfernen Sie ihn nur, wenn das Radio ausgeschaltet ist.
- Die USB Buchse ist nicht zum laden von Smartphones oder anderen Geräten gedacht.

KASSETTEN MODUS

1. Wählen Sie den "TAPE" -Modus durch wiederholtes Drücken der Taste **[FUNCTION]** (4) aus;
2. Stecken Sie eine Kassette in das **[KASSETTEN LAUFWERK]** (22);
Hinweis : Die Kassette muss leicht nach oben angeschrägt in das Laufwerk gesteckt werden;
3. Die Wiedergabe startet automatisch.
 - Drücken Sie während der Wiedergabe die Taste **[TAPE FORWARD / EJECT]** (21) halb, um das Vorspulen zu starten.
 - Drücken Sie die Taste **[TAPE FORWARD / EJECT]** (21) erneut kurz, um die Wiedergabe fortzusetzen.
 - Drücken Sie die Taste **[TAPE FORWARD / EJECT]** (21) ganz und die Kassette wird ausgeworfen.

BLUETOOTH MODUS

1. Wählen Sie den "BT" Modus durch wiederholtes Drücken der Taste **[FUNCTION]** (4) aus;
2. Verbinden Sie Ihr tragbares Bluetooth-Gerät mit der Bluetooth ID "HIF-1993D+BT";

3. Sie können die Musik jetzt auf den HIF-1993D+BT für die Wiedergabe übertragen.
Hinweis: Die Musiksteuerung (Wiedergabe, Pause usw.) muss von Ihrem externen Gerät aus erfolgen.

AUX-IN BETRIEB

1. Wählen Sie den "PHONO" Modus durch wiederholtes Drücken der Taste **[FUNCTION]** (4) aus;
2. Verwenden Sie ein 3,5-mm-Klinkenkabel (nicht im Lieferumfang enthalten), um ein externes Audiogerät an die **[AUX IN BUCHSE]** (25) anzuschließen;

Hinweis: Die Musikbedienung (Wiedergabe, Pause usw.) muss von Ihrem externen Gerät aus erfolgen.

USB AUFNAHME

Anmerkung:

- Aufnahmegeschwindigkeit ist 1:1.
- Während des Kodierungsmodus wird kein Songtitel aufgenommen.
- Um Schäden am USB-Stick zu vermeiden, entfernen Sie ihn nur, wenn das Radio ausgeschaltet ist.

AUFNAHME VON DAB RADIO, PHONO, KASSETTE, BLUETOOTH UND AUX-IN:

1. Stecken Sie den USB-Stick in die **[USB BUCHSE]** (1);
2. Führen Sie die normale Wiedergabe des Titels durch, den Sie kodieren und aufnehmen möchten;
3. Drücken Sie zweimal die Taste **[RECORD]** (5), um mit der Codierung zu beginnen. Das Display zeigt "USB" und blinkt;
4. Um die Aufnahme zu beenden drücken Sie die Taste **[STOP]** (14).

AUFNAHME VON CD

1. Stecken Sie den USB-Stick in die **[USB BUCHSE]** (1);
2. Führen Sie die normale Wiedergabe der CD durch, die Sie aufzeichnen möchten;
3. Drücken Sie die Taste **[RECORD]** (5), nachdem die CD eingelesen ist;
4. Drücken Sie wiederholt die Taste **[SKIP +/-]** (15/16) während der Wiedergabe, um die gewünschte Kodierungsoption auszuwählen:
 - REC-1: Wählen Sie diese Option, um nur den aktuellen Titel aufzunehmen.
 - REC-F: Wählen Sie diese Option, um den gesamten Ordner aufzuzeichnen.
 - REC-A: Wählen Sie diese Option, um alle Titel der CD aufzunehmen.
5. Bestätigen Sie mit der Taste **[RECORD]** (5);
6. Die Wiedergabe startet automatisch und oben auf dem **[DISPLAY]** (6) blinkt "REC". Die Aufnahme läuft jetzt;
7. Um die Aufnahme zu beenden drücken Sie die Taste **[STOP]** (14).

Hinweis: Ist die CD komplett durchgelaufen stoppt die Wiedergabe und die Aufnahme von selbst.

LÖSCHEN SIE LIEDER VOM USB-GERÄT

1. Führen Sie die normale Wiedergabe des Titels durch, den Sie löschen möchten;
2. Drücken Sie während der Wiedergabe des Titels, den Sie löschen möchten, zweimal die Taste **[DELETE]** (34).

TECHNISCHE DATEN

Power

Stromversorgung: AC 230V ~ 50Hz.

Radiofrequenzabdeckung

DAB+ / DAB: BAND III 174.928MHz - 239.200MHz.

FM: 87.5 - 108 MHz.

Lautsprecher

Musikleistung: 2 x 5 Watt rms.

Max. Musikleistung: 2 x 40 Watt

Sonstiges

Aux-In: 3.5mm Buchse.

BT Maximum radiated Power: 2.5 mW (4dBm).

USB Buchse: USB 3.0 / 200mA.

Spezifikationen und Design unterliegen möglichen Änderungen ohne vorherige Ankündigung aufgrund von Verbesserungen.

SICHERHEITSHINWEISE



Das Ausrufszeichen im Dreieck weist den Benutzer auf wichtige Bedienungs- und Wartungsanweisungen (Service) in diesem Handbuch hin, die unbedingt zu befolgen sind.



Um die Gefahr elektrischer Schläge auszuschliessen, Gehäuse auf keinen Fall abnehmen.



Im Innem befinden sich keine vom Benutzer selbst instandsetz-baren Teile. Reparaturen dürfen nur von einer autorisierten Fachwerkstatt durchgeführt werden.

230v~



Dieses Gerät ist für 230V ~ 50Hz Netzspannung ausgelegt. Bei längerer Nichtbenutzung des Geräts ziehen Sie den Stecker aus der Steckdose.



Setzen Sie das Gerät weder Feuchtigkeit noch Regen aus.



Schalten Sie das System erst dann ein, wenn Sie alle Verbindungen genau geprüft haben.

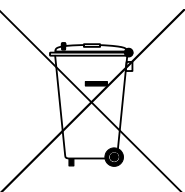


Stellen Sie das Gerät so auf, dass immer eine ungestörte Frischluftzufuhr sichergestellt ist. Es ist zum beispiel keinesfalls auf Teppiche und in der Nähe von Gardinen zu stellen oder in Bücherregale einzubauen.



Setzen Sie das Gerät weder direkter Sonneneinstrahlung noch Wärmequellen aus.

KORREKTE ENTSORGUNG DIESES PRODUKTS (Elektromüll)



Die Kennzeichnung auf dem Produkt bzw. auf der dazugehörigen Literatur gibt an, dass es nach seiner Lebensdauer nicht zusammen mit dem normalen Haushaltsmüll entsorgt werden darf. Entsorgen Sie dieses Gerät bitte getrennt von anderen Abfällen, um der Umwelt bzw. der menschlichen Gesundheit nicht durch unkontrollierte Müllbeseitigung zu schaden. Recyceln Sie das Gerät, um die nachhaltige Wiederverwertung von stofflichen Ressourcen zu fördern. Private Nutzer sollten den Händler, bei dem das Produkt gekauft wurde, oder die zuständigen Behörden kontaktieren, um in Erfahrung zu bringen, wie sie das Gerät auf umweltfreundliche Weise recyceln können. Gewerbliche Nutzer sollten sich an Ihren Lieferanten wenden und die Bedingungen des Verkaufsvertrags konsultieren. Dieses Produkt darf nicht zusammen mit anderem Gewerbemüll entsorgt werden.

CONTRÔLE DE POSITION

1. PRISE USB
2. POWER (BOUTON D'ALIMENTATION)
3. CONTROLE DE VOLUME
4. FUNCTION (BOUTON DE FONCTION)
5. RECORD (BOUTON ENREGISTREMENT)
6. AFFICHAGE LCD
7. MENU
8. INFO
9. SCAN
10. PRESET
11. EQUALIZER (ÉGALISEUR)
12. PORTE DU CD
13. PLAY-PAUSE: Appuyer pour lancer la lecture. Lors de la lecture, appuyer sur pour arrêter temporairement la lecture et appuyer à nouveau pour reprendre la lecture.
14. STOP: Appuyer sur pour terminer la lecture.
15. SKIP - / REWIND: Appuyer pour revenir à la piste précédente, appuyer et maintenir pour revenir rapidement en arrière.
16. SKIP + / FAST FORWARD: Appuyer pour passer à la piste suivante, appuyer et maintenir pour avancer rapidement.
17. PLAY-MODE: appuyez plusieurs fois pour choisir le mode de lecture (REPEAT, RANDOM)
18. OPEN / CLOSE CD DOOR (OUVRIR / FERMER LA PORTE CD)
19. COMMANDE DE SYNTONISATION / ENTER (Appuyez pour "ENTER")
20. HAUT-PARLEURS
21. TAPE FAST FORWARD / EJECT (AVANT RAPIDE / EJECT CASSETTE)
22. CASSETTE SLOT-IN
23. CONNECTEUR ANTENNE
24. CABLE AC
25. PRISE AUX-IN
26. PLAQUE TOURNANTE
27. VIS SÛRETÉ-TRANSPORT
28. BRAS DE LECTURE
29. AGRAFE DU BRAS
30. LEVIER DE LEVAGE
31. SÉLECTEUR DE VITESSE (33 / 45 / 78 RPM)

TÉLÉCOMMANDE

32. - / + 10 PISTES
33. PROGRAM (BOUTON PROGRAMME)
34. DELETE (SUPPRESSION KEY)
35. MUTE (MUET)

INSTRUCTIONS DE SÉCURITÉ

- **INSTRUCTIONS** - Toutes les instructions de sécurité et d'utilisation doivent être lues avant de mettre la radio en marche. Il faudrait conserver le manuel pour consultation ultérieure.
- **AVERTISSEMENTS** - Tous les avertissements apposés sur l'appareil et dans le mode d'emploi doivent être respectés.
- **EAU ET HUMIDITÉ** - L'appareil ne doit pas être utilisé à proximité de liquides ou dans des pièces présentant un taux d'humidité élevé.
- **VENTILATION** - L'appareil doit être disposé de manière à ce que son emplacement ou sa position n'interfère pas avec sa ventilation adéquate.
- **CHALEUR** - L'appareil doit être placé à l'écart de sources de chaleur telles que radiateurs, poêles ou autres appareils produisant de la chaleur.
- **SOURCE D'ALIMENTATION** - Le raccordement de la radio à l'alimentation électrique ne doit se faire que selon le modèle décrit dans le mode d'emploi.
- **PROTECTION DU CORDON D'ALIMENTATION** - Les cordons d'alimentation doivent être acheminés de telle sorte qu'ils ne risquent pas d'être écrasés ou pincés par des objets placés dessus ou contre eux.
- **PÉNÉTRATION DES OBJETS ET DES LIQUIDES** - Veuillez à ce que les objets ne tombent pas et à ce que les liquides ne soient pas déversés dans l'appareil par le biais des orifices.
- **DÉGÂTS NÉCESSITANT RÉPARATION**
L'appareil ne doit être réparé que par un technicien qualifié lorsque :
 - L'alimentation électrique ou le cordon est endommagé;
 - Des objets sont tombés ou des liquides ont été renversés sur la radio;
 - l'appareil a été exposé à la pluie;
 - l'appareil est tombé ou le boîtier est endommagé;
 - l'appareil ne semble pas fonctionner normalement.
- **RÉPARATION** - L'utilisateur ne doit pas tenter de réparer l'appareil au-delà de ce qui est décrit dans le mode d'emploi. Toute réparation doit être confiée à un technicien qualifié.

Remarque: Si L'affichage ne fonctionne pas correctement ou aucune réaction au fonctionnement d'une commande quelconque pourrait être due à une décharge électrostatique, éteindre, débrancher le cordon d'alimentation CA puis remettre l'appareil sous tension après quelques secondes.

SOURCES D'ALIMENTATION

ALIMENTATION CA : Pour alimenter la chaîne stéréo, il suffit de brancher le cordon d'alimentation CA (24) dans la prise de courant CA murale. Vérifier que la tension nominale de l'appareil correspond à la tension locale.

UTILISER LA RADIO

1. Appuyer sur le bouton **[POWER]** (2) pour la mise sous tension;
2. Sélectionnez la source audio désirée avec le bouton **[FONCTION]** (4);
3. (Veuillez consulter les instructions détaillées pour chaque source dans les chapitres suivants);
4. Réglez le volume avec le **[CONTROL DE VOLUME]** (3) au niveau souhaité;
5. Pour éteindre la radio, tenez enfoncé le bouton **[POWER]** (2).

Remarque: Quand aucun son n'est produit, l'appareil s'éteint automatiquement après 10 min.

NAVIGUER LE MENU

En mode FM / DAB est un menu d'options:

1. Appuyez sur **[MENU]** (7) pour accéder au menu.
2. Tourner le **[COMMANDE DE SYNTONISATION]** (19) pour faire défiler les options.
3. Appuyez sur **[ENTER]** (19) pour sélectionner un élément.
4. Appuyez sur **[MENU]** (7) pour quitter le menu.

REGLAGES

En mode FM / DAB, appuyez sur **[MENU]** (7) et sélectionnez "SYSTEM":

- Heure: Pour définir l'option de temps souhaitée.
 - Réglage heure/date;
 - Mise à jour automatique;
 - Réglage 12 / 24 heures;
 - Réglage format date.
- Langue: Pour changer la langue du système.
- Mise à jour logicielle: Pour installer le nouveau logiciel.
- SW version: Pour afficher la version actuelle du logiciel.

RÉGLAGE DE L'HORLOGE

En mode DAB / FM:

1. Appuyez sur **[MENU]** (7);
2. Utilisez **[SKIP - / +]** (15/16) ou **[COMMANDE DE SYNTONISATION]** (19) pour sélectionner "SYSTEME";
3. Appuyez sur **[ENTER]** (19) pour confirmer;
4. Utilisez **[SKIP - / +]** (15/16) ou **[COMMANDE DE SYNTONISATION]** (19) pour sélectionner "HEURE";
5. Appuyez sur **[ENTER]** (19) pour confirmer;
6. Utilisez **[SKIP - / +]** (15/16) ou **[COMMANDE DE SYNTONISATION]** (19) pour sélectionner "RÉGLAGE HEURE/DATE";
7. Appuyez sur **[ENTER]** (19) pour confirmer;
8. Les chiffres des heures clignotent sur l'écran. Utilisez **[SKIP +/-]** (15/16) ou **[COMMANDE DE SYNTONISATION]** (19) pour sélectionner l'heure;
9. Appuyez sur **[ENTER]** (19) pour confirmer;
10. Les chiffres des minutes clignotent sur l'écran. Utilisez **[SKIP +/-]** (15/16) ou **[COMMANDE DE SYNTONISATION]** (19) pour sélectionner les minutes;

11. Appuyez sur **[ENTER]** (19) pour confirmer;
12. Répéter les étapes 10 et 11 pour ajuster la date.

FONCTIONNEMENT DE LA RADIO DAB

1. Sélectionnez le mode "DAB" en utilisant le bouton **[FONCTION]** (4);
2. Appuyez à plusieurs reprises sur le bouton **[SKIP -/+]** (15/16) pour choisir la chaîne radio.

PRESET

Vous pouvez programmer jusqu'à un maximum de 20 stations préréglées.

1. Sélectionnez la station désirée en utilisant les méthodes décrites ci-dessus;
2. Appuyez et maintenez **[PRESET]** (10), "Preset Store" apparaissent sur l'écran;
3. Appuyez sur **[SKIP -/+]** (15/16) pour sélectionner le numéro de présélection;
4. Appuyez sur **[ENTER]** (19) pour confirmer.

Appuyez sur **[PRESET]** (10) puis **[SKIP -/+]** (15/16) pour naviguer dans les stations préréglées et appuyez sur **[ENTER]** (19) pour confirmer.

MENU DAB

Appuyez sur **[MENU]** (7) pour accéder aux options suivantes:

- **Full Scan**: Sélectionnez cette option pour démarrer une analyse complète des programmes DAB disponibles. Vous pouvez appuyer sur **[SCAN]** (9) pour effectuer la même action.
- **Manual Tune**: Sélectionnez cette option pour sélectionner manuellement la fréquence.
- **DRC**: Sélectionnez cette option pour choisir entre les options de la RDC.
- **Prune**: sélectionnez cette option pour choisir d'activer ou non les stations de pruneau.

DAB INFO

Appuyez sur **[INFO]** (8) pour afficher les informations suivantes: NOM DU PROGRAMME / KBPS / DATE / HEURE.

FONCTIONNEMENT DE LA RADIO FM

1. Sélectionnez le mode "FM" en utilisant le bouton **[FONCTION]** (4);
2. Réglez la fréquence sur la station désirée avec la **[COMMANDE DE SYNTONISATION]** (19) ou maintenez enfoncé le bouton **[SCAN]** (9) et il balayera la prochaine station disponible.

PRESET

Voir les instructions pour le DAB PRESET.

MENU FM

Appuyez sur **[MENU]** (7) pour accéder aux options suivantes:

- **Scan Setting**: Sélectionnez cette option pour choisir de rechercher uniquement les stations les plus fortes (stations fortes) ou toutes les stations (toutes les stations)
- **Audio Setting**: Sélectionnez cette option pour choisir d'utiliser seulement MONO

(en mono forcé) ou d'autoriser ou non l'utilisation de STEREO.

FM INFO

Appuyez sur **[INFO]** (8) pour afficher les informations suivantes: TYPE DE PROGRAMME / FRÉQUENCE / AUDIO / DATE / HEURE.

TOURNE-DISQUES

Note: Lorsque vous utilisez le tourne-disque pour la première fois, dévissez dans le sens horaire la **[VIS DE SÛRETÉ-TRANSPORT]** (27) poste sur le côté supérieur du tourne-disques .

1. Sélectionnez le mode "PHONO" en utilisant le bouton **[FONCTION]** (4);
2. Placer un disque sur la platine, au-dessus de l'axe central. Placer l'adaptateur EP au-dessus de l'axe central quand on veut écouter des disques EP 17cm;
3. Utilisez le **[SÉLECTEUR DE VITESSE]** (31) pour choisir entre 33, 78 ou 45 tours/minute, selon le disque;
4. Dégager l' **[AGRAFE DU BRAS]** (29), et enlever le capuchon de protection de la pointe de lecture;
5. Soulever le **[BRAS DE LECTURE]** (28) à l'aide de la **[LEVIER DE LEVAGE]** (30) du bras de lecture;
6. Placer le **[BRAS DE LECTURE]** (28) au début du disque ou au début d'une piste précise;
7. Baisser doucement le **[BRAS DE LECTURE]** (28) de lecture sur le disque à l'aide de la **[LEVIER DE LEVAGE]** (30) du bras de lecture pour commencer la lecture de la piste;
8. A la fin du disque la **[PLAQUE TOURNANTE]** (26) s'arrête et le **[BRAS DE LECTURE]** (28) retourne automatiquement sur le support. Pour arrêter le disque pendant la lecture, soulever le **[BRAS DE LECTURE]** (28) du disque et posez-le sur le support.

Remarques: Ne pas faire tourner et ne pas arrêter la **[PLAQUE TOURNANTE]** (26) manuellement.

Lorsque l'unité est déplacée ou transportée:

- Verrouillez le **[BRAS DE LECTURE]** (28) à l'aide du **[AGRAFE DU BRAS]** (29);
- Placez le capuchon de protection sur la pointe de lecture (même s'il n'est pas utilisé);
- Visser la **[VIS DE SÛRETÉ-TRANSPORT]** (27) dans le sens antihoraire jusqu'à sentir une résistance (ne pas la visser complètement).

FONCTIONNEMENT DU CD-MP3

1. Sélectionnez le mode "CD" en utilisant le bouton **[FONCTION]** (4);
2. Appuyez sur le bouton **[OPEN/CLOSE]** (18) pour ouvrir la **[PORTE DU CD]** (12) et placer un disque CD avec l'étiquette vers le haut dans le compartiment CD;
3. Fermer la **[PORTE DU CD]** (12). Une recherche de focalisation est réalisée et la lecture démarre automatiquement à partir de la première piste.

PROGRAMMATION

Il est possible de programmer jusqu'à 20 pistes pour la lecture d'un CD ou 99 de fi-

chiers MP3 dans un ordre quelconque.

1. Arrêter la lecture en appuyant sur **[STOP]** (14);
2. Appuyer sur **[PLAY MODE]** (17), l'écran (6) affichera "P01" et clignotera;
3. Sélectionner la piste désirée en utilisant les boutons **[SKIP -/+]** (15/16);
4. Appuyer de nouveau sur **[PLAY MODE]** (17) pour confirmer la piste désirée dans la mémoire de programme;
5. Répéter les étapes 3 et 4 pour entrer des pistes supplément. dans la mémoire;
6. Lorsque toutes les pistes désirées ont été programmées, appuyer sur **[PLAY]** (13) pour lire le disque dans l'ordre programmé.

Remarque: Appuyez deux fois sur **[STOP]** (14) pour terminer la lecture programmée.

FONCTIONNEMENT DE L'USB

1. Sélectionnez le mode "USB" en utilisant le bouton **[FONCTION]** (4);
2. Brancher un périphérique USB (max. 32GB) dans la **[PRISE USB]** (1);
3. La lecture démarre automatiquement à partir de la première piste.

PROGRAMMATION

L'opération de PROGRAMMATION est la même que celle du CD-MP3.

Remarque:

- Certains lecteurs mp3 peuvent ne pas être en mesure de jouer via la prise USB. ce n'est pas une fonction mau du système.
- Pour éviter d'endommager la clé USB, retirez-la uniquement lorsque la radio est éteinte.
- La prise USB n'est pas conçue pour charger des smartphones ou d'autres appareils.

FONCTIONNEMENT DE LA CASSETTE

1. Sélectionnez le mode "TAPE" en utilisant le bouton **[FONCTION]** (4);
2. Insérez une cassette TAPE dans le **[MÉCANISME]** (22);
3. Le système commencera la lecture automatiquement.
 - Appuyer à moitié sur la touche **[TAPE FORWARD/EJECT]** (21) pendant la lecture. La bande sera bobiné à haute vitesse.
 - Appuyer légèrement sur la touche **[TAPE FORWARD/EJECT]** (21) pour retourner à la lecture normale.
 - Appuyer à fond sur la touche **[TAPE FORWARD/EJECT]** (21) et la cassette sera éjectée.

FONCTIONNEMENT DU BLUETOOTH

1. Sélectionnez le mode "BT" en utilisant le bouton **[FONCTION]** (4);
2. Connectez votre appareil portable Bluetooth à l'ID Bluetooth étiqueté comme "HIF-1993D+BT";
3. Vous pouvez maintenant transférer la musique sur le HIF-1993D+BT.

Remarque: Le contrôle de la musique (lecture, pause, etc.) doit être effectué depuis votre dispositif extern.

FONCTIONNEMENT DU AUX-IN

1. Sélectionnez le mode "PHONO" en utilisant le bouton **[FONCTION]** (4);
2. Utiliser un câble mâle vers un câble jack mâle de 3,5 mm (non fourni) pour connecter un périphérique audio externe à la **[PRISE AUX]** (25).

Remarque: La commande de la musique (lecture, pause, etc.) doit être effectuée à partir de cet appareil externe.

ENCODAGE USB DIRECT

Remarque:

- La vitesse d'enregistrement est de 1:1.
- Aucun titre de chanson ne sera enregistré pendant le mode d'encodage.
- Pour éviter d'endommager la mémoire USB, retirez-la uniquement lorsque la radio est éteinte.

ENCODAGE DE RADIO DAB, DISQUES, CASSETTES, BLUETOOTH ET AUX-IN

1. Branchez la clé USB dans la **[PRISE USB]** (1);
2. Effectuez la reproduction normale de la piste que vous voulez encoder et enregistrer;
3. Appuyez deux fois sur le bouton **[RECORD]** (5) pour lancer l'encodage. L'écran affichera "USB";
4. Une fois l'enregistrement terminé, appuyez sur le bouton **[STOP]** (14) pour arrêter l'enregistrement.

ENCODAGE DE CD

1. Branchez la clé USB dans la **[PRISE USB]** (1);
2. Lancer la lecture normale du CD que vous souhaitez encoder;
3. Une fois que le disque est chargé, appuyez sur la touche **[RECORD]** (5)
4. Appuyez plusieurs fois sur le bouton **[SKIP - / +]** (15/16) pour sélectionner l'option d'encodage désirée:
 - REC-1: Sélectionnez pour enregistrer uniquement la piste en cours;
 - REC-F: Sélectionnez pour enregistrer le dossier entier;
 - REC-A: Sélectionnez pour enregistrer toutes les pistes du CD.
5. Appuyez sur le bouton **[RECORD]** (5) pour confirmer;
6. La lecture s'arrêtera et redémarrera automatiquement et sur l'affichage (6) "REC" clignotera. L'encodage est en train de se conclure;
7. Appuyez sur le bouton **[STOP]** (14) pour terminer l'enregistrement.

Remarque: Une fois l'encodage est terminé, l'appareil arrête automatiquement la lecture et l'encodage.

EFFACER PASSAGES DU SUPPORT USB

1. Lancer la lecture normale de la piste de la piste que vous souhaitez effacer;
2. Pendant la reproduction, presser deux fois la touche **[DELETE]** (34) de la télécommande pour effacer la trace courante.

CARACTERISTIQUES TECHNIQUES

Source d'énergie:	AC 230V ~ 50Hz.
Couverture de radiofréquence	
DAB+ / DAB:	BAND III 174.928MHz - 239.200MHz.
FM:	87.5 - 108 MHz.
Haut-parleur	
Puissance:	2 x 5 Watt rms.
Puissance Maximale:	2 x 40 Watt.
Général	
Aux-In:	Prise 3.5mm jack.
Puissance maximale rayonnée:	2.5 mW (4 dBm) (Bluetooth).
Version Prise USB:	USB 3.0 / 200 mA.

Les spécifications peuvent être modifiées sans avis préalable.

ATTENTION



Le symbole "point d'exclamation" à l'intérieur d'un triangle avertit l'utilisateur que d'importantes instructions d'utilisation et de maintenance sont contenues dans le mode d'emploi.



Le symbole "éclair" à l'intérieur d'un triangle sert à avertir l'utilisateur de la présence du courant à l'intérieur de l'appareil qui pourrait constituer un risque.



Afin de minimiser les risques, ne pas ouvrir le boîtier ni ôter le dos de l'appareil. En case de panne, faites appel aux techniciens qualifiés pour les réparations. L'appareil ne renferme aucune pièce réparable par l'utilisateur.

230v~



Cet appareil a été conçu pour une tension d'alimentation de 230V ~ 50Hz. Débranchez la prise de courant quand on prévoit de ne pas utiliser l'appareil pendant un certain temps.



Mettez l'appareil sous tension seulement après avoir vérifié que tous les raccordements soient corrects.



L'unité ne doit pas être exposée à l'humidité ou à la pluie.

L'appareil doit être gardé dans un endroit suffisamment ventilé. Ne le gardez jamais par exemple près des rideaux, sur un tapis ou dans des meubles, tels qu'une bibliothèque.



L'unité ne doit pas être exposée à la lumière directe du soleil ou à des sources de chaleur.

COMMENT ÉLIMINER CE PRODUIT

(déchets d'équipements électriques et électroniques)



Ce symbole sur le produit ou sa documentation indique qu'il ne doit pas être éliminé en fin de vie avec les autres déchets ménagers. L'élimination incontrôlée des déchets pouvant porter préjudice à l'environnement ou à la santé humaine, veuillez le séparer des autres types de déchets et le recycler de façon responsable. Vous favoriserez ainsi la réutilisation durable des ressources matérielles. Les particuliers sont invités à contacter le distributeur leur ayant vendu le produit ou à se renseigner auprès de leur mairie pour savoir où et comment ils peuvent se débarrasser de ce produit afin qu'il soit recyclé en respectant l'environnement. Les entreprises sont invitées à contacter leurs fournisseurs et à consulter les conditions de leur contrat de vente. Ce produit ne doit pas être éliminé avec les autres déchets commerciaux.

POSIZIONE DEI COMANDI

1. PORTA USB
2. POWER (PULSANTE DI ACCENSIONE)
3. MANOPOLA VOLUME
4. FUNCTION (TASTO FUNZIONE)
5. RECORD (REGISTRAZIONE)
6. DISPLAY LCD
7. MENU
8. INFO
9. SCAN
10. PRESET
11. EQUALIZER (EQUALIZZATORE)
12. SPORTELLO CD
13. PLAY / PAUSE: Premere per riproduzione. Durante la riproduzione, premere per interrompere temporaneamente la riproduzione e premere nuovamente per riprendere.
14. STOP: Premere per interrompere la riproduzione.
15. SKIP - / REWIND: Premere per tornare al brano precedente, tenere premuto per tornare indietro veloce.
16. SKIP + / FAST FORWARD: Premere per passare al brano successivo, tenere premuto per avanzare velocemente.
17. PLAY-MODE: Premere più volte per scegliere la modalità di riproduzione (REPEAT, RANDOM)
18. OPEN / CLOSE CD DOOR (PULSANTE DI APERTURA / CHIUSURA SPORTELLO CD)
19. MANOPOLA SINTONIA / ENTER (Premere per "ENTER")
20. ALTOPARLANTI
21. TAPE FAST FORWARD / EJECT BUTTON (CONTROLLO CASSETTA)
22. MECCANICA CASSETTA
23. CONNETTORE ANTENNA
24. CAVO AC
25. INGRESSO AUX
26. PIATTO GIRADISCHI
27. VITE DI SICUREZZA TRASPORTO
28. BRACCIO
29. FISSAGGIO DEL BRACCIO
30. LEVA DI SOLLEVAMENTO
31. SELETTORE VELOCITÀ (33/45 / 78RPM)

TELECOMANDO

32. - / + 10 CANZONI
33. PROGRAM (PROGRAMMAZIONE)
34. DELETE (ELIMINA)
35. MUTE (MUTO)

PRECAUZIONI

- **ISTRUZIONI** - Tutte le istruzioni di sicurezza e funzionamento devono essere lette prima di usare la radio. Il manuale deve essere mantenuto per futuri utilizzi.
- **AVVERTIMENTI** - Tutti gli avvertimenti sul prodotto e nel manuale d'istruzioni devono essere letti e rispettati.
- **ACQUA E UMIDITÀ** - L'apparecchio non deve essere usato vicino a liquidi o in locali con alta percentuale di umidità.
- **VENTILAZIONE** - L'apparecchio deve essere situato in modo che non si interferisca con la propria ventilazione.
- **CALORE** - L'apparecchio deve essere situato lontano da fonti di calore come radiatori, stufe o altri prodotti che producono calore.
- **ALIMENTAZIONE** - La radio deve essere collegata ad una fonte di alimentazione con le specifiche descritte nel manuale d'istruzioni o sul prodotto.
- **PROTEZIONE DEL CAVO D'ALIMENTAZIONE** - Il cavo d'alimentazione deve essere posizionato in modo da non venir danneggiato (schiacciato, tagliato, ...).
- **ENTRATA DI OGGETTI E LIQUIDI** - Fare attenzione a non fare entrare liquidi o oggetti dalle fessure della radio.
- **DANNI CHE RICHIEDONO ASSISTENZA**

La radio deve essere controllata da personale qualificato in caso di:

- Il cavo d'alimentazione o il connettore è stato danneggiato;
 - Oggetti o liquidi sono entrati all'interno della radio;
 - La radio è stata esposta alla pioggia;
 - L'apparecchio è caduto o l'involucro è stato danneggiato;
 - La radio non funziona correttamente.
- **REVISIONE** - L'utente non deve cercare di riparare la radio oltre a quanto descritto nel manuale. Tutte le riparazioni devono essere eseguite da personale qualificato.

Nota: Se il display non funziona correttamente o non reagisce ai controlli, questo può essere dovuto a scariche elettrostatiche. Spegnerla radio, disconnetterla dalla presa e riconnettere dopo qualche secondo.

FONTI DI ALIMENTAZIONE

CORRENTE ALTERNATA: Puoi alimentare la tua radio portatile connettendo il cavo di alimentazione (24) e alla presa elettrica AC. Verifica che il voltaggio della radio corrisponda a quello della tua rete di alimentazione.

UTILIZZO DELLA RADIO

1. Premere il tasto **[POWER]** (2) per accendere l'apparecchio;
2. Selezionare la modalità desiderata con il tasto **[FUNZIONE]** (4);
3. (Vedi istruzioni dettagliate per ogni sorgente nei prossimi capitoli);
4. Regolare il Volume con la **[MANOPOLA VOLUME]** (3) al livello desiderato;
5. Premere e tenere premuto il tasto **[POWER]** (2) per spegnere la radio.

Nota: Quando nessun suono è riprodotto, la radio si spegne automaticamente dopo 10 minuti.

NAVIGAZIONE DEL MENU

In modalità FM / DAB è presente un menu di opzioni:

1. Premere **[MENU]** (7) per accedere al menu.
2. Ruotare la **[MANOPOLA SINTONIA]** (19) per scorrere tra le opzioni.
3. Premere **[ENTER]** (19) per selezionare una voce.
4. Premere di nuovo **[MENU]** (7) per uscire dal menu.

IMPOSTAZIONI

In modalità FM / DAB, premere **[MENU]** (7) e selezionare "SYSTEM":

- Ora
 - Impostazione ora/data;
 - Aggiornamento Automatico;
 - Impostazione 12 / 24 ore;
 - Impostazione formato data.
- Lingua: selezionare questa opzione per cambiare la lingua del sistema.
- Aggiornamento Software: selezionare questa opzione per installare il nuovo software.
- SW version: selezionare questa opzione per visualizzare l'attuale versione del software.

IMPOSTARE L'ORARIO

In modalità DAB / FM:

1. Premere **[MENU]** (7);
2. Utilizzare **[SKIP -/+]** (15/16) o **[MANOPOLA SINTONIA]** (19) e selezionare "SISTEMA";
3. Premere **[ENTER]** (19) per confermare;
4. Utilizzare **[SKIP -/+]** (15/16) o **[MANOPOLA SINTONIA]** (19) e selezionare "ORA";
5. Premere **[ENTER]** (19) per confermare;
6. Utilizzare **[SKIP -/+]** (15/16) o **[MANOPOLA SINTONIA]** (19) e selezionare "IMPOSTARE ORA/DATA";
7. Premere **[ENTER]** (19) per confermare;
8. Le cifre dell'ora lampeggeranno sul display. Utilizzare **[SKIP -/+]** (15/16) o **[MANOPOLA SINTONIA]** (19) per selezionare l'ora corretta;
9. Premere **[ENTER]** (19) per confermare;
10. Le cifre dei minuti lampeggeranno sul display. Utilizzare **[SKIP -/+]** (15/16) o

[**MANOPOLA SINTONIA**] (19) per selezionare i minuti corretti;

11. Premere [**ENTER**] (19) per confermare.
12. Ripetere i passi 10 e 11 per regolare la data.

ASCOLTO DELLA RADIO DAB

1. Selezionare la modalità "DAB" usando il tasto [**FUNZIONE**] (4);
2. Per selezionare la stazione desiderata premere i tasti [**SKIP -/+**] (15/16).

PRESET

Si possono programmare fino a un massimo di 20 stazioni preimpostate.

1. Selezionare la stazione desiderata usando le modalità sopra descritte;
2. Tenere premuto il tasto [**PRESET**] (10). Sullo schermo comparirà "Preset Store";
3. Premere [**SKIP -/+**] (15/16) per selezionare il numero di preselezione;
4. Premere [**ENTER**] (19) per confermare.

Premere [**PRESET**] (10), poi [**SKIP -/+**] (15/16) per navigare tra le stazioni preselezionate e premere [**ENTER**] (19) per confermare.

MENU DAB

Premere [**MENU**] (7) per accedere alle seguenti opzioni:

- **Full Scan**: selezionare questa opzione per avviare una scansione completa dei programmi DAB disponibili. Si può premere [**SCAN**] (9) per effettuare la medesima azione.
- **Manual Tune**: selezionare questa opzione per selezionare manualmente la frequenza.
- **DRC**: selezionare questa opzione per scegliere tra le opzioni DRC.
- **Prune**: selezionare questa opzione per scegliere se attivare o meno le stazioni PRUNE.

DAB INFO

Premere ripetutamente [**INFO**] (8) per visualizzare le seguenti informazioni: NOME DEL PROGRAMMA / KBPS / DATE / TIME.

ASCOLTO DELLA RADIO FM

1. Selezionare la modalità "FM" usando il tasto [**FUNZIONE**] (4);
2. Regolare la stazione desiderata con la [**MANOPOLA SINTONIA**] (19) oppure tenere premuto il tasto [**SCAN**] (9) per scansionare la prossima stazione radio disponibile.

PRESET

Vedere le istruzioni per il DAB PRESET.

MENU FM

Premere [**MENU**] (8) per accedere alle seguenti opzioni:

- **Scan Setting**: selezionare questa opzione per scegliere se ricercare solo le stazioni più forti (strong stations) o tutte le stazioni (all stations)
- **Audio Setting**: selezionare questa opzione per scegliere se utilizzare solo MONO (forced mono) o se permettere l'utilizzo dello STEREO.

FM INFO

Premere ripetutamente **[INFO]** (8) per visualizzare le seguenti informazioni: TIPOLOGIA DEL PROGRAMMA / FREQUENZA / AUDIO / DATE / TIME.

GIRADISCHI

Nota: Quando si utilizza il giradischi per la prima volta, svitare in senso orario la **[VITE DI SICUREZZA-TRASPORTO]** (27) posta sul lato superiore del giradischi.

1. Selezionare la modalità "PHONO" usando il tasto **[FUNZIONE]** (4);
2. Posizionare un disco sul giradischi. Posizionare l'adattatore EP sul perno centrale quando si usano dischi EP 45 giri;
3. Regolare il **[SELEZIONE VELOCITÀ]** (31) su 33, 45 o 78 giri, a seconda del disco utilizzato;
4. Rilasciare il **[FISSAGGIO DEL BRACCIO]** (29) della testina di lettura, e rimuovere il cappuccio di protezione dalla puntina;
5. Sollevare il **[BRACCIO DI LETTURA]** (26) con la **[LEVA DI SOLLEVAMENTO]** (30);
6. Posizionare il **[BRACCIO DI LETTURA]** (26) all'inizio del disco, o all'inizio di un brano particolare;
7. Abbassare con delicatezza il **[BRACCIO DI LETTURA]** (26) sul disco con la **[LEVA DI SOLLEVAMENTO]** (30) per iniziare la lettura;
8. Quando il disco giunge al termine, il **[PIATTO]** (26) si fermerà e il **[BRACCIO DI LETTURA]** (26) ritornerà automaticamente in posizione "riposo". Per fermare manualmente il **[PIATTO]** (26) durante la lettura, alzare il **[BRACCIO DI LETTURA]** (26) e riportarlo sull'appoggio. Il giradischi si fermerà.

Note: Non girare il **[PIATTO]** (26) manualmente.

Quando l'unità viene spostata o trasportata:

- Bloccare il **[BRACCIO DI LETTURA]** (28) con il **[FISSAGGIO DEL BRACCIO]** (29);
- Posizionare il cappuccio protettivo sulla puntina (anche quando non è in uso);
- Avvitare **[VITE DI SICUREZZA-TRASPORTO]** (27) in senso antiorario finché non si avverte resistenza (non avvitarla completamente).

RIPRODUZIONE DI UN COMPACT DISC

1. Selezionare la modalità "CD" usando il tasto **[FUNZIONE]** (4);
2. Aprire il **[CARRELLO DEL CD]** (12) con il tasto **[OPEN/CLOSE]** (18) e inserire un CD con la pellicola rivolta verso l'alto.
3. Chiudere il **[CARRELLO DEL CD]** (12). Il disco viene caricato e la riproduzione inizierà automaticamente dal primo brano.

PROGRAMMAZIONE DI UN CD

È possibile programmare fino a 99 tracce per la riproduzione in qualsiasi ordine di un CD-MP3 (20 per CD classici).

1. Arrestare la riproduzione con il tasto **[STOP]** (14);
2. Premere il tasto **[PLAY MODE]** (17), "P01" comparirà sul display LCD (6);
3. Selezionare la traccia desiderata premendo i tasti **[SKIP +/-]** (15/16);
4. Premere il tasto **[PLAY MODE]** (17) per memorizzare la traccia;

5. Ripetere i punti 3 e 4 per memorizzare tracce aggiuntive nella memoria;
6. Quando tutte le tracce desiderate sono state programmate, premere il tasto **[PLAY]** (13) per riprodurre il disco nell'ordine assegnato.

Nota: Premere due volte il tasto **[STOP]** (14) per cancellare la programmazione.

RIPRODUZIONE DA USB

1. Selezionare la modalità "CD" usando il tasto **[FUNZIONE]** (4);
2. Collegare una memoria USB (max. 32GB) nell'apposita **[PORTA USB]** (1);
3. La riproduzione parte automaticamente dal primo brano .

PROGRAMMAZIONE

Seguire lo stesso procedimento della programmazione di un CD.

Nota:

- Alcuni lettori MP3 potrebbero non essere capaci di riprodurre i file tramite la presa USB. Questo non è dovuto ad un malfunzionamento del sistema.
- Per evitare danni alla memoria USB, rimuoverla solo quando la radio è spenta.
- La presa USB non è progettata per caricare smartphone o altri dispositivi.

FUNZIONE CASSETTA

1. Selezionare la modalità "TAPE" usando il tasto **[FUNZIONE]** (4);
2. Inserire la cassetta nel **[MECCANISMO]** (22);
3. La riproduzione inizierà automaticamente.
 - Premere il tasto **[TAPE FORWARD/EJECT]** (21) fino a metà durante la lettura per avvolgere velocemente il nastro in avanti.
 - Premere nuovamente leggermente il tasto (21) per tornare alla riproduzione.
 - Premere il tasto **[TAPE FORWARD/EJECT]** (21) completamente (fino in fondo) per espellere la cassetta.

FUNZIONE BLUETOOTH

1. Selezionare la modalità "BT" usando il tasto **[FUNZIONE]** (4);
2. Connettere il proprio dispositivo Bluetooth all'ID Bluetooth "HIF-1993D+BT";
3. Ora è possibile trasferire la musica al HIF-1993D+BT.

Nota: Il controllo della musica (play, ecc) deve essere fatto sul dispositivo esterno.

RIPRODUZIONE DA AUX-IN

1. Selezionare la modalità "PHONO" usando il tasto **[FUNZIONE]** (4);
2. Utilizzare un cavo audio (non incluso) jack stereo da 3,5 mm su ciascuna estremità del cavo per collegare il dispositivo esterno nell'apposito **[INGRESSO AUX]** (25);

Nota: Il controllo della musica (play, ecc) deve essere fatto sul dispositivo esterno.

CODIFICA DIRETTA SU USB

Osservazioni:

- La velocità di registrazione è 1:1.
- Nessun titolo del brano verrà registrato durante la modalità di codifica.

- Per evitare danni alla memoria USB, rimuoverla solo quando la radio è spenta.

CODIFICARE DA RADIO DAB, VINILE, CASSETTA, BLUETOOTH E AUX-IN

1. Inserire la chiavetta USB nell'apposita **[PORTA USB]** (1);
2. Effettuare la riproduzione normale della traccia che si vuole codificare e registrare;
3. Premere due volte il tasto **[RECORD]** (5) per avviare la codifica. Il display mostrerà "USB";
4. Al termine della registrazione, premere il tasto **[STOP]** (14) per interrompere la registrazione.

CODIFICA DA CD

1. Inserire la memoria USB nell'apposita **[PORTA USB]** (1);
2. Avviare la riproduzione normale del CD da codificare e registrare;
3. Una volta terminata la messa a fuoco, premere il tasto **[RECORD]** (5);
4. Premere ripetutamente il tasto **[SKIP +/-]** (15/16) per selezionare l'opzione di registrazione desiderata tra:
 - REC-1: Selezionare per registrare solo la traccia corrente;
 - REC-F: Selezionare per registrare l'intera cartella;
 - REC-A: Selezionare per registrare tutti i brani del CD.
5. Confermare premendo il tasto **[RECORD]** (5);
6. La riproduzione si stopperà e ripartirà automaticamente, nel display lampeggerà la scritta "REC". È ora in esecuzione la codifica della traccia;
7. Premere il tasto **[STOP]** (14) quando si desidera terminare la registrazione;

Nota: Dopo il completamento della codifica, l'apparecchio interromperà la riproduzione e la registrazione automaticamente.

CANCELLARE BRANI DAL SUPPORTO USB

1. Avviare la riproduzione normale della traccia da eliminare;
2. Durante la riproduzione premere due volte il tasto **[DELETE]** (34) sul telecomando per cancellare la traccia corrente.

SPECIFICHE TECNICHE

Alimentazione:	AC 230V ~ 50Hz.
Copertura radiofrequenze	
DAB+ / DAB:	BAND III 174.928MHz - 239.200MHz.
FM:	87.5 - 108 MHz.
Altoparlante	
Potenza d'uscita:	2 x 5 Watt rms.
Potenza d'uscita massima:	2 x 40 Watt.
Generali	
Ingresso Aux-In:	3.5mm jack.
Potenza massima irradiata (Bluetooth):	2.5 mW (4dBm).
Versione Porta USB:	USB 3.0 / 200mA.

Le specifiche e il design sono soggetti a possibili modifiche senza preavviso a causa di miglioramenti.

ATTENZIONE



Il punto esclamativo all'interno di un triangolo avverte l'utente che il libretto d'istruzioni contiene delle importanti istruzioni per l'uso e la manutenzione.



Il simbolo del fulmine all'interno di un triangolo avverte l'utente della presenza di una pericolosa tensione all'interno dell'apparecchio.



Per ridurre i rischi di scosse elettriche, non aprire l'apparecchio. L'apparecchio non contiene parti riparabili dall'utente. In caso di guasto fare appello a tecnici qualificati per le riparazioni.

230v~



Questo apparecchio è stato progettato per funzionare a 230V ~ 50Hz. Se non si intende utilizzare l'apparecchio per un lungo periodo di tempo, rimuovere la spina dalla presa di corrente.



Utilizzare l'apparecchio solo dopo aver verificato che tutte le connessioni siano state eseguite correttamente.



Non esporre l'apparecchio alla pioggia o all'umidità.



Posizionare l'apparecchio in un luogo sufficientemente ventilato. Evitare di sistemarlo vicino a tende, sul tappeto o all'interno di un mobile quale, ad esempio, una libreria.

Non esporre l'apparecchio alla luce diretta del sole o a fonti di calore.

CORRETTO SMALTIMENTO DEL PRODOTTO (rifiuti elettrici ed elettronici)



Il marchio riportato sul prodotto e sulla sua documentazione indica che il prodotto non deve essere smaltito con altri rifiuti domestici al termine del ciclo di vita. Per evitare eventuali danni all'ambiente o alla salute causati dall'inopportuno smaltimento dei rifiuti, si invita l'utente a separare questo prodotto da altri tipi di rifiuti e di riciclarlo in maniera responsabile per favorire il riutilizzo sostenibile delle risorse materiali. Gli utenti domestici sono invitati a contattare il rivenditore presso il quale è stato acquistato il prodotto a l'ufficio locale preposto per tutte le informazioni relative alla raccolta differenziata e al riciclaggio per questo tipo di prodotto. Gli utenti aziendali sono invitati a contattare il proprio fornitore e verificare i termini e le condizioni del contratto di acquisto. Questo prodotto non deve essere smaltito unitamente ad altri rifiuti commerciali.

EL CONTROL DE POSICIÓN

1. TOMA USB
2. POWER (INTERRUPTOR DE ENCENDIDO)
3. CONTROL DE VOLUMEN
4. FUNCTION (BOTÓN DE FUNCIÓN)
5. RECORD (BOTÓN DE GRABACIÓN)
6. PANTALLA LCD
7. MENU
8. INFO
9. SCAN
10. PRESET
11. EQUALIZER (ECUALIZADOR)
12. PUERTA CD
13. PLAY / PAUSE: Pulse para reproducir. Mientras está reproduciendo, pulse para detener la reproducción temporalmente y pulse de nuevo para reanudar la reproducción.
14. STOP: Pulse cuando quiera detener la reproducción.
15. SKIP - / REWIND: Pulse para saltar a la pista anterior, pulse y mantenga pulsado para rebobinar la pista.
16. SKIP + / FAST FORWARD: Pulse para saltar a la siguiente pista, pulse y mantenga pulsado para avanzar rápido.
17. PLAY-MODE: Pulse repetidamente para elegir el modo de reproducción (REPEAT, RANDOM)
18. OPEN / CLOSE CD DOOR (ABRIR / CERRAR PUERTA CD)
19. CONTROL SINTONIZACIÓN / ENTER (Pulse para "ENTER")
20. ALTAVOCES
21. TAPE FAST FORWARD / EJECT BUTTON
22. PUERTA CASETE
23. ENTRADA ANTENA
24. CABLE AC
25. ENTRADA AUXILIAR
26. PLATO TOCADISCOS
27. VID SEGURIDAD-TRANSPORTE
28. BRAZO DE LECTURA
29. CIERRE DEL BRAZO
30. PALANCA LEVANTADORA
31. SELECTOR DE VELOCIDAD (33/45 / 78RPM)

CONTROL REMOTO

32. - / + 10 PISTAS
33. PROGRAM (PROGRAMACIÓN)
34. DELETE (CANCELACIÓN)
35. MUTE

INSTRUCCIONES DE SEGURIDAD

- **INSTRUCCIONES:** Debe leer las instrucciones de seguridad y de funcionamiento antes de utilizar la radio. Guarde el manual para futuras consultas.
- **ADVERTENCIAS:** Debe respetar todas las advertencias sobre el aparato y las instrucciones de funcionamiento.
- **AGUA Y HUMEDAD:** El aparato no debe usarse cerca de líquidos o en estancias donde haya mucha humedad.
- **VENTILACIÓN:** El aparato debe colocarse de manera que su ubicación o posición no impidan su propia ventilación.
- **CALOR:** El aparato debe mantenerse alejado de fuentes de calor como radiadores, estufas u otros electrodomésticos que desprendan calor.
- **FUENTE DE ALIMENTACIÓN:** La radio solamente debe conectarse a una fuente de suministro eléctrico del tipo descrito en las instrucciones de funcionamiento o según se indique en el aparato.
- **PROTECCIÓN DEL CABLE DE SUMINISTRO ELÉCTRICO:** Los cables de suministro eléctrico deben colocarse de manera que no puedan ser pisados o aplastados por objetos colocados sobre/contra ellos.
- **ENTRADA DE OBJETOS Y LÍQUIDOS:** Debe tener mucho cuidado de que no caigan objetos y de que no entren salpicaduras de líquidos dentro del aparato a través de las aberturas.
- **DAÑOS QUE REQUIEREN REPARACIÓN:**
El aparato debe ser reparado solo por personal técnico cualificado cuando:
 - El cable de suministro eléctrico o el enchufe hayan sufrido daños;
 - Hayan caído objetos o se hayan derramado líquidos dentro de la radio;
 - El aparato haya estado bajo la lluvia;
 - El aparato haya caído al suelo o la carcasa se haya dañado;
 - El aparato no funcione normalmente.
- **REPARACIÓN:** El usuario no debe intentar reparar el aparato más allá de lo descrito en el manual de instrucciones de funcionamiento. Cualquier reparación debe ser realizada por personal técnico cualificado.

Nota: Si la pantalla no se muestra correctamente o los controles no funcionan, esto podría deberse a una descarga electrostática. Apague, desenchufe el cable de corriente alterna (CA); a continuación, vuelva a encender el aparato después de unos segundos.

FUENTES DE ENERGÍA

CORRIENTE ALTERNA: Puede encender su equipo estéreo portátil conectando el cable de corriente alterna (24) a una toma CA en la pared. Compruebe que la tensión de su aparato sea la misma que la que se usa en su zona.

USO DE LA RADIO

1. Pulse el boton **[POWER]** (2);
2. Seleccione la fuente de audio deseada con el boton **[FUNCIÓN]** (4);
3. (Consulte las instrucciones detalladas para cada fuente en los siguientes capítulos);
4. Ajuste el volumen al nivel deseado mediante el **[CONTROL DE VOLUMEN]** (3);
5. Para apagar la radio, pulse y mantenga pulsado el boton **[POWER]** (2).

Nota: Cuando no se produce sonido, la unidad se apagará automáticamente después de 10 minutos.

NAVEGACIÓN POR EL MENÚ

En el modo FM / DAB es un menú de opciones:

1. Presione **[MENU]** (7) para acceder al menú.
2. Girar el **[CONTROL SINTONIZACIÓN]** (19) para desplazarse por las opciones.
3. Pulse **[ENTER]** (19) para seleccionar un elemento.
4. Presione **[MENU]** (7) para salir del menú.

AJUSTES

En el modo FM / DAB, pulse **[MENU]** (7) y seleccione "SYSTEM":

- Time: Para seleccionar la opción de tiempo deseada:
 - Set Time/Date;
 - Auto Update;
 - Set 12 / 24 Hours;
 - Set Date Format.
- Language: seleccione esta opción para cambiar el idioma del sistema.
- Software Upgrade: seleccione esta opción para instalar el nuevo software.
- SW version: seleccione esta opción para mostrar la versión del software.

CONFIGURACION DE HORA Y FECHA

En modo DAB/FM:

1. Pulse **[MENU]** (7);
2. Use **[SKIP -/+]** (15/16) o el **[CONTROL SINTONIZACIÓN]** (19) para seleccionar "SYSTEM";
3. Pulse **[ENTER]** (19) para confirmar;
4. Use **[SKIP -/+]** (15/16) o el **[CONTROL SINTONIZACIÓN]** (19) para seleccionar "TIME";
5. Pulse **[ENTER]** (19) para confirmar;
6. Use **[SKIP -/+]** (15/16) o el **[CONTROL SINTONIZACIÓN]** (19) para seleccionar "SET TIME / DATE";
7. Pulse **[ENTER]** (19) para confirmar;
8. Los dígitos de la hora parpadean en la pantalla. Use **[SKIP -/+]** (15/16) o el **[CONTROL SINTONIZACIÓN]** (19) para seleccionar la hora correcta;
9. Pulse **[ENTER]** (19) para confirmar;
10. Los dígitos de los minutos parpadean en la pantalla. Use **[SKIP -/+]** (15/16) o el **[CONTROL SINTONIZACIÓN]** (19) para seleccionar los minutos correctos;

11. Pulse **[ENTER]** (19) para confirmar;
12. Repita los pasos 10 y 11 para ajustar la fecha.

FUNCIONAMIENTO DE LA RADIO DAB

1. Seleccione el modo "DAB" usando el boton **[FUNCIÓN]** (4);
2. Pulse los botones **[SKIP -/+]** (15/16) para elegir la emisora de radio.

PREAJUSTE

Se pueden programar hasta un máximo de 20 presintonías.

1. Seleccione la emisora deseada utilizando los métodos descritos anteriormente;
2. Pulse y mantenga **[PRESET]** (10). "Preset Store" Aparecerá en la pantalla;
3. Pulse **[SKIP -/+]** (15/16) para seleccionar el número de memorización;
4. Pulse **[ENTER]** (19) para confirmar.

Pulse **[PRESET]** (10) y luego **[SKIP -/+]** (15/16) para navegar a través de las emisoras memorizadas y pulse **[ENTER]** (19) para confirmar.

MENÚ DAB

Presione **[MENU]** (7) para acceder a las siguientes opciones:

- **Full scan:** seleccione esta opción para iniciar un análisis completo de los programas DAB disponibles. Puede pulsar **[SCAN]** (9) para realizar la misma acción.
- **Manual Tune:** seleccione esta opción para seleccionar manualmente la frecuencia.
- **DRC:** Seleccione esta opción para elegir entre las opciones de la RDC.
- **Prune:** seleccione esta opción para elegir si desea o no activar las estaciones de ciruela pasa.

INFO DAB

Pulse **[INFO]** (8) para ver la siguiente información: NOMBRE DEL PROGRAMA / KBPS / fecha / hora.

FUNCIONAMIENTO DE LA RADIO FM

1. Seleccione el modo "FM" usando el boton **[FUNCIÓN]** (4);
2. Ajuste la frecuencia de la emisora deseada usando el **[CONTROL SINTONIZACIÓN]** (19) o pulse y mantenga pulsado el botón **[SCAN]** (9) y buscará la próxima emisora disponible.

PREAJUSTE

Vea las instrucciones para la DAB PRESET.

MENÚ FM

Presione **[MENU]** (7) para acceder a las siguientes opciones:

- **Scan Setting:** Seleccione esta opción para elegir si desea buscar sólo las emisoras más potentes (estaciones fuertes) o todas las estaciones (todas las estaciones)
- **Audio Setting:** seleccione esta opción para elegir si desea utilizar solamente MONO (mono forzado) o si se debe permitir el uso de STEREO.

INFO FM

Pulse **[INFO]** (8) para ver la siguiente información: Tipo de programa / FRECUENCIA / AUDIO / fecha / hora.

TOCADISCOS

Cuando utilice la plataforma giratoria por primera vez, desatornille en sentido horario la **[VID DE SEGURIDAD-TRANSPORTE]** (27) apuesta sobre el extenso superior del tocadiscos.

1. Seleccione el modo "PHONO" usando el boton **[FUNCIÓN]** (4);
2. Colocar un disco sobre el tocadiscos, sobre el eje central. Colocar el adaptador EP sobre el eje central cuando se escuchen discos EP de 17 cm (45 RPM);
3. Colocar el **[SELECTOR VELOCIDAD]** (31) en 33, 78 o 45 RPM segun el disco utilizado;
4. Soltar el **[CIERRE DEL BRAZO]** (29), y extraer la protección de la aguja;
5. Levantar el **[BRAZO DE LECTURA]** (28) con la **[PALANCA LEVANTADORA]** (30);
6. Colocar el **[BRAZO DE LECTURA]** (28) en el inicio del disco, o en el inicio de una melodía particular;
7. Bajar con delicadeza el **[BRAZO DE LECTURA]** (28) sobre el disco con la **[PALANCA LEVANTADORA]** (30) para iniciar la lectura;
8. Cuando la lectura del disco finalizará el **[PLATO]** (26) se para y el **[BRAZO DE LECTURA]** (28) regresa al apoyo. Para parar el **[PLATO]** (26) durante la lectura, alce el **[BRAZO DE LECTURA]** (28) y devuélvalo al apoyo.

Nota: No girar el **[PLATO]** (26) manualmente.

Cuando la unidad se mueve o transporta:

- Bloque el **[BRAZO DE LECTURA]** (28) con el **[CIERRE DEL BRAZO]** (29);
- Coloque protección de la aguja (incluso cuando no esté en uso);
- Atornille el **[VID DE SEGURIDAD-TRANSPORTE]** (27) en sentido antihorario hasta que sienta resistencia (no lo atornille por completo).

REPRODUCCIÓN DE UN CD

1. Seleccione el modo "CD" usando el boton **[FUNCIÓN]** (4);
2. Pulse el botón **[OPEN/CLOSE]** (18) para abrir la **[PUERTA CD]** (12) y coloque un disco CD;
3. Cierre la **[PUERTA CD]** (12). Una vez que el disco esté dentro, se realizará la exploración y la reproducción iniciará automáticamente desde la primera pista.

PROGRAMACIÓN DEL DISCO DE CD

Es posible programar un orden de reproducción para un máximo de 20 pistas de un CD o 99 de MP3.

1. Pulse **[STOP]** (14) para detener la reproducción;
2. Pulse **[PLAY MODE]** (17); la pantalla (6) mostrará "P01" de manera intermitente;
3. Seleccione la pista deseada mediante los botones **[SKIP +/-]** (15/16);
4. Pulse **[PLAY MODE]** (17) de nuevo para confirmar la pista deseada en el programa;
5. Repita los pasos 3 y 4 para añadir más pistas al programa de reproducción;

6. Cuando haya añadido todas las pistas al programa de reproducción pulse **[PLAY]** (13) para reproducir el disco en el orden que haya programado.

Nota: Pulse **[STOP]** (14) dos veces para cancelar el programa de reproducción.

REPRODUCCIÓN DE UN DISPOSITIVO USB

1. Seleccione el modo "USB" usando el boton **[FUNCIÓN]** (4);
2. Conecte un dispositivo USB (max. 32GB) en la **[TOMA USB]** (1).
3. La reproducción se iniciará automáticamente desde la primera pista.

PROGRAMA DE REPRODUCCIÓN

La operación de PROGRAMACIÓN es la misma que la de CD-MP3.

Nota:

- Es posible que algunos reproductores de mp3 no puedan reproducirse a través del conector usb. esto no es una función de maul del sistema.
- Para evitar daños a la memori USB, quítela solo cuando la radio esté apagada.
- La toma USB no está diseñada para cargar teléfonos ou otros dispositivos.

FUNCIÓN CASETE

1. Seleccione el modo "TAPE" usando el boton **[FUNCIÓN]** (4);
2. Inserte una CINTA de cassette en el **[MECANISMO]** (22);
3. El aparato iniciará automáticamente la reproducción.
 - Pulsar el botón **[TAPE FORWARD/EJECT]** (21) hasta mitad durante la lectura. La cinta avanzará hacia adelante velozmente.
 - Pulsar ligeramente de nuevo el botón para volver a la lectura normal.
 - Pulsar el botón **[TAPE FORWARD/EJECT]** (21) completamente, a fondo, y el casete será expulsado.

OPERACIÓN BLUETOOTH

1. Seleccione el modo "BT" usando el boton **[FUNCIÓN]** (4);
2. Conecte su dispositivo portátil Bluetooth a la ID Bluetooth etiquetada como "HIF-1993D+BT";
3. Ahora puede transferir la música al HIF-1993D+BT.

Nota: El control de la música (reproducción, pausa, etc.) debe realizarse desde su dispositivo externo.

AUX-IN

1. Seleccione el modo "PHONO" usando el boton **[FUNCIÓN]** (4);
2. Use un conector jack macho macho de 3,5mm (no incluido) para conectar cualquier dispositivo de audio externo mediante la **[ENTRADA AUX]** (25);

Nota: El control de la reproducción (play, pause, etc.) ha de realizarse desde su dispositivo externo.

CODIFICACIÓN USB DIRECTA

Observación:

- La velocidad de grabación es 1:1.

- No se grabará ningún título de canción durante el modo de codificación.
- Para evitar daños a la memoria USB, quítela solo cuando la radio esté apagada.

CODIFICACIÓN DE RADIO DAB, DISCO, CASSETTE, BLUETOOTH Y AUX-IN

1. Conecte la memoria USB en la **[TOMA USB]** (1);
2. Realice la reproducción normal de la pista que desea codificar y grabar;
3. Presione el botón **[RECORD]** (5) dos veces para comenzar a codificar. La pantalla mostrará "USB";
4. Una vez que la grabación termine, presione el botón **[STOP]** (14) para detener la grabación.

CODIFICACIÓN DE CD

1. Conecte la memoria USB en la **[TOMA USB]** (1);
2. Reproduzca según el procedimiento normal el CD que desea codificar y grabar;
3. Pulse el botón **[RECORD]** (5) una vez finalizada la búsqueda de foco.;
4. Presione repetidamente el botón **[SKIP - / +]** (15/16) durante la reproducción para seleccionar la opción de codificación deseada:
 - REC-1: Seleccione para grabar solo la pista actual;
 - REC-F: Seleccione para grabar la carpeta completa;
 - REC-A: Seleccione para grabar todas las pistas del CD.
5. Pulse el botón **[RECORD]** (5) para confirmar;
6. La reproducción se detendrá y reiniciará automáticamente y en la pantalla (6) "REC" parpadeará. La codificación está funcionando ahora;
7. Pulse la tecla **[STOP]** (14) para interrumpir la grabación;

Nota: Una vez finalizada la codificación, la unidad detendrá la reproducción de forma automática.

ELIMINAR PISTAS DESDE USB

1. Reproduzca según el procedimiento normal la pista que desea eliminar;
2. Durante la reproducción de la pista que desea eliminar, presione dos veces el botón **[DELETE]** (34) en el control remoto.

ESPECIFICACIONES TÉCNICAS

Fuente de alimentación:	CA 230V ~ 50Hz.
Cobertura de radiofrecuencia	
DAB+ / DAB:	BAND III 174.928MHz - 239.200MHz.
FM:	87.5 - 108 MHz.
Altavoz	
Potencia de salida:	2 x 5 Watt rms.
Potencia máxima de salida:	2 x 40 Watt.
General	
Entrada Aux-In:	3.5mm jack.
Potencia máxima radiada (Bluetooth):	2.5 mW (4 dBm).
Versión Toma USB:	USB 3.0 / 200 mA

Las características técnicas están sujetas a cambios sin aviso previo.

ATENCIÓN



El símbolo de exclamación dentro un triángulo tiene el objeto de advertir al usuario de la presencia de instrucciones importantes de funcionamiento y mantenimiento en la documentación adjunta con el equipo.



El símbolo del rayo con punta de flecha dentro de un triángulo advierte al usuario de la presencia de tensiones peligrosas en el equipo.



Para reducir los riesgos de descargas eléctricas, no retire la cubierta. La unidad no hay en su exterior componentes que pueda manipular el usuario. Encargue su reparación a personal cualificado.

230v~



Esta unidad funciona con 230V ~ 50Hz. Cuando el equipo vaya a estar un tiempo prolongado sin utilizarse, desenchufar el cable de alimentación.



No conecte la unidad hasta que no se hayan efectuado todas las otras conexiones.



La unidad no debería ser expuesta a lluvia o humedad.



La unidad no debería ser expuesta a la luz solar directa ni a fuentes emisora de calor.

ELIMINACIÓN CORRECTA DE ESTE PRODUCTO (material eléctrico y electrónico de descarte)



La presencia de esta marca en el producto o en el material informativo que lo acompaña, indica que al finalizar su vida útil no deberá eliminarse junto con otros residuos domésticos. Para evitar los posibles daños al medio ambiente o a la salud humana que representa la eliminación incontrolada de residuos, separe este producto de otros tipos de residuos y reciclelo correctamente para promover la reutilización sostenible de recursos materiales. Los usuarios particulares pueden contactar con el establecimiento donde adquirieron el producto, o con las autoridades locales pertinentes, para informarse sobre cómo y dónde pueden llevarlo para que sea sometido a un reciclaje ecológico y seguro. Los usuarios comerciales pueden contactar con su proveedor y consultar las condiciones del contrato de compra. Este producto no debe eliminarse mezclado con otros residuos comerciales.

PLAATS VAN DE CONTROLES

1. USB SOCKET
2. POWER (AAN/UIT KNOP)
3. VOLUME REGELAAR
4. FUNCTION (FUNCTIE SELECTIE)
5. RECORD (OPNEMEN)
6. LCD SCHERM
7. MENU
8. INFO
9. SCAN
10. PRESET
11. EQUALIZER
12. CD DEUR
13. PLAY / PAUSE: Druk in om te spelen. Tijdens het afspelen drukt u de knop in om het afspelen te onderbreken. Als u opnieuw indrukt gaat het afspelen door.
14. STOP: Druk als u wilt stoppen met afspelen.
15. SKIP - / REWIND: Druk in om terug te gaan naar het vorige nummer. Houd ingedrukt om snel terug te gaan.
16. SKIP + / FAST FORWARD: Druk in om naar het volgende nummer te gaan. Houd ingedrukt om snel vooruit te gaan.
17. PLAY-MODE: Druk herhaaldelijk om de afspeelmodus te kiezen (REPEAT, RANDOM)
18. OPEN / CLOSE CD DOOR (OPENEN / SLUITEN CD DEUR)
19. AFSTEM REGELAAR / ENTER (Druk op "ENTER")
20. SPEAKERS
21. TAPE FAST FORWARD / EJECT (SNEL VOORUIT- / UITWERPKNOP)
22. CASSETTE KLEPJE
23. ANTENNE
24. AC-KABEL
25. AUX-IN AANSLUITNG
26. PLATENSPELER
27. TRANSPORT SCHROEF
28. AFSPEELARM
29. SLUITING VAN DE ARM
30. LIFTHEDEL
31. SNELHEIDS SCHAKELAAR (33/45/78 RPM)

AFSTANDBEDIENING

32. - / + 10 TRACKS
33. PROGRAM (PROGRAMMA KNOP)
34. DELETE (VERWIJDEREN)
35. MUTE (DEMPEN)

VEILIGHEIDSINSTRUCTIES

- **INSTRUCTIES** - Lees alle veiligheids- en bedieningsinstructies door voordat u de radio gaat gebruiken. Bewaar de handleiding voor later gebruik.
- **HOUD U AAN WAARSCHUWINGEN**- Houd u aan alle waarschuwingen op het apparaat en in de bedieningsinstructies.
- **WATER EN VOCHT** - Gebruik het apparaat niet in de buurt van vloeistoffen of in vertrekken met een hoge luchtvochtigheid.
- **VENTILATIE** - Plaats en positioneer het apparaat zodanig dat een onbelemmerde ventilatie wordt verkregen.
- **WARMTE** - Plaats het apparaat uit de buurt van warmtebronnen als radiatoren, kachels of andere warmte producerende apparaten.
- **VOEDING** - Sluit de radio alleen aan op een voeding van het type dat in de gebruiksaanwijzing wordt beschreven of op het apparaat is aangeduid.
- **BESCHERMING VAN HET NETSNOER** - Leg stroomkabels zodanig dat er niet op wordt gelopen of dat ze worden bekneld door items die er op/tegen worden geplaatst.
- **BINNENDRINGEN VAN VOORWERPEN OF VLOESTOFFEN** - Let erop dat voorwerpen of vloeistoffen niet door openingen in de behuizing naar binnen kunnen komen.
- **SCHADE WAARVOOR TECHNISCHE SERVICE NODIG IS** - In de volgende gevallen is er service door een gekwalificeerde technicus nodig:
 - het netsnoer of de stekker is beschadigd;
 - er zijn voorwerpen of vloeistoffen zijn in de radio terechtgekomen
 - het apparaat is blootgesteld aan regen;
 - het apparaat is gevallen of de behuizing is beschadigd;
 - het apparaat lijkt niet normaal te werken.
- **ONDERHOUD** - Gebruiker mag geen onderhoud aan het apparaat uitvoeren dat niet in de gebruiksaanwijzing wordt genoemd. Alle onderhoudswerkzaamheden moeten door gekwalificeerde technici worden uitgevoerd.

Let op: Als gevolg van een elektrostatische ontlading functioneert het display mogelijk dat niet correct of reageert het apparaat niet op de bedieningsknop. Schakel het apparaat dan uit, koppel het los en sluit het na enkele seconden opnieuw aan.

STROOMBRONNEN

WISSELSTROOM: U kunt uw draagbare stereosysteem van stroom voorzien door het netsnoer op een stopcontact aan te sluiten. Controleer of de nominale spanning van uw apparaat overeenkomt met uw lokale voltage.

OM DE RADIO TE GEBRUIKEN

1. Druk op de **[POWER]** knop (2) om het apparaat in te schakelen;
2. Selecteer de gewenste audiobron met de **[FUNCTIE]** knop (4);
3. (Zie gedetailleerde instructies voor elke bron in de volgende hoofdstukken);
4. Stel de **[VOLUME KNOP]** (3) in op het gewenste niveau;
5. Om de radio uit te schakelen, drukt u op **[POWER]** knop (2) en houdt u deze ingedrukt.

Let op: Als er geen geluid wordt geproduceerd schakelt het apparaat zelfs uit na 10 minuten.

MENU NAVIGATIE

In FM/DAB-modus is er een opties-menu:

1. Druk op **[MENU]** (7) om naar het menu te gaan.
2. Draai de **[AFSTELKNOP]** (19) om tussen opties te rollen.
3. Druk op **[ENTER]** (19) om een item te kiezen.
4. Opnieuw **[MENU]** indrukken (7) om het menu te verlaten.

INSTELLINGEN

In FM/DAB-modus, druk op **[MENU]** (7) en kies SYSTEM:

- Time: Om de gewenste tijdoptie in te stellen:
 - Set Time/Date;
 - Auto Update;
 - Set 12 / 24 Hours;
 - Set Date Format.
- Language: kies deze optie om een andere systeem-taal te kiezen.
- Software Upgrade: kies deze optie om de nieuwe software te installeren.
- SW version: kies deze optie om de huidige software versie te krijgen.

HET INSTELLEN VAN DE JUISTE TIJD

In DAB/FM-modus:

1. Druk op **[MENU]** (7);
2. Gebruik **[SKIP - / +]** (15/16) of **[AFSTELKNOP]** (19) om "SYSTEM" te selecteren;
3. Druk opnieuw **[ENTER]** (19) om te bevestigen;
4. Gebruik **[SKIP - / +]** (15/16) of **[AFSTELKNOP]** (19) om "TIME" te selecteren;
5. Druk opnieuw **[ENTER]** (19) om te bevestigen;
6. Gebruik **[SKIP - / +]** (15/16) of **[AFSTELKNOP]** (19) om "SET TIME/DATE" te selecteren;
7. Druk opnieuw **[ENTER]** (19) om te bevestigen;
8. De vier cijfers zullen knipperen op het display. Gebruik **[SKIP -/+]** (15/16) of **[AFSTELKNOP]** (19) om de juiste tijd in te stellen;
9. Druk opnieuw **[ENTER]** (19) om te bevestigen;
10. De minutencijfers zullen knipperen op het display. Gebruik **[SKIP -/+]** (15/16) of **[AFSTELKNOP]** (19) om de juiste minuut in te stellen;
11. Druk opnieuw **[ENTER]** (19) om te bevestigen;
12. Herhaal stap 10 en 11 om de datum in te stellen.

BEDIENING DAB-RADIO

1. Kies "DAB" mode door **[FUNCTIE]** (4) te gebruiken;
2. Druk op de **[SKIP +/-]**-knop (15/16) om het radiokanaal te selecteren.

PRESET

Kan worden geprogrammeerd tot hoogste 20 standaard stations.

1. Selecteer uw favoriete radiozender met behulp van handmatige of automatische modus;
2. Druk op **[PRESET]** (10) en houdt deze ingedrukt. "Preset Store" zal op het scherm verschijnen;
3. Druk op **[SKIP +/-]** (15/16) om het voorselectienummer te kiezen;
4. Druk op **[ENTER]** (19) om te bevestigen.

Druk op **[PRESET]** (10) dan **[SKIP +/-]** (15/16) om tussen de preselecteerde stations te surfen en dan druk op **[ENTER]** (19) om te bevestigen.

DAB MENU

Druk op **[MENU]** (7) om naar de volgende opties te gaan:

- **Full Scan:** kies deze optie om een full scan van de beschikbare DAB-programma's te hebben. Kan op **[SCAN]** (9) drukken voor dezelfde actie.
- **Manual Tune:** kies deze optie om handmatig de frequentie te kiezen.
- **DRC:** kies deze optie om een keuze tussen de DRC opties te maken.
- **Prune:** kies deze optie om de PRUNE stations in werking te stellen of niet te stellen.

DAB INFO

Druk herhaaldelijk op **[INFO]** (8) om de volgende informatie te bekijken: NAAM VAN HET PROGRAMMA / KBPS / DATE / TIME.

BEDIENING FM-RADIO

1. Kies "FM" mode door **[FUNCTIE]** (4) te gebruiken;
2. Met de **[AFSTELKNOP]** (19) stelt u de radiofrequentie in op de gewenste zender or Houd de **[SCAN]**-knop (9) ingedrukt en het apparaat scant naar de volgende beschikbare zender.

PRESET

Zie de DAB PRESET instructies.

FM-MENU

Druk op **[MENU]** (7) om naar de volgende opties te gaan:

- **Scan Setting:** kies deze optie om alleen de sterke stations (strong stations) of alle stations (all stations) te kiezen.
- **Audio Setting:** kies deze optie om alleen MONO (forced mono) of STEREO modus te kiezen.

FM INFO

Druk herhaaldelijk op **[INFO]** (8) om de volgende informatie te bekijken: TYPE VAN HET PROGRAMMA / FREQUENTIE / AUDIO / DATE / TIME.

PLATENSPELER

Let op: Wanneer u de draaitafel voor de eerste keer gebruikt, draai met de klok mee de **[TRANSPORT-SCHROEF]** (27) die zich rechtsboven aan de draaitafel bevindt los.

1. Kies "PHONO" mode door **[FUNCTIE]** (4) te gebruiken;
2. Plaats een plaat op in het midden van de platenspeler. Bij het beluisteren van 45 toeren plaats de EP-adaptor op de centrale spil;
3. Stel de **[SNELHEIDS SCHAKELAAR]** (31) af op 33/45 of op 78 toeren, in overeenkomst met de plaat die wordt afgespeeld;
4. Geef de **[SLUITING VAN DE ARM]** (29) vrij en verwijder de beschermkap van de naald;
5. Hef de **[AFSPEELARM]** (28) op met de **[LIFTHENDEL]** (30);
6. Plaats de **[AFSPEELARM]** (28) aan het begin van de plaat of aan het begin van een bepaalde track;
7. Laat de **[AFSPEELARM]** (28) uiterst voorzichtig op de plaat zakken met de **[LIFTHENDEL]** (30) om te beginnen met het afspelen;
8. Als de plaat het einde heeft bereikt, zal de **[PLATENSPELER]** (26) automatisch stoppen en de **[AFSPEELARM]** (28) keert terug naar de steun. Om de **[PLATENSPELER]** (26) te stoppen tijdens het afspelen, dient de **[AFSPEELARM]** (28) te worden opgeheven en op de steun te worden geplaatst.

Opmerking: De **[PLATENSPELER]** (26) niet handmatig draaien.

Wanneer het apparaat wordt verplaatst of vervoerd:

- Vergrendel **[AFSPEELARM]** (28) met de **[SLUITING VAN DE ARM]** (29).
- Plaats de beschermkap van de naald (ook wanneer deze niet in gebruik is).
- Schroef de **[TRANSPORT-SCHROEF]** (27) tegen de klok in totdat u weerstand voelt (niet helemaal schroeven).

EEN CD AFSPLEN

1. Kies "CD" mode door **[FUNCTIE]** (4) te gebruiken;
2. Druk op de knop **[OPEN/CLOSE]** (18) om de **[CD DEUR]** (12) te openen en plaats een CD in het CD-vak;
3. Sluit het **[CD DEUR]** (12). Zodra de CD zich in de speler bevindt wordt focus-zoeken uitgevoerd en het apparaat begint dan het eerste nummer te spelen.

PROGRAMMERING VAN EEN CD

Het is mogelijk om tot 20 tracks te programmeren bij het afspelen van een Cd of 99 tracks bij een MP3 bestand in elke gewenste volgorde.

1. Stop het afspelen door op **[STOP]** (14) te drukken;
2. Druk **[PLAY MODE]** (17) in: het display (6) geeft knipperend "P01" weer;
3. Selecteer het gewenste nummer met de **[SKIP +/-]**-knoppen (15/16);
4. Druk nogmaals op **[PLAY MODE]** (17) om het gewenste nummer in het programmageheugen te bevestigen;
5. Om meer numm. in het programmag. in te voeren, herhaalt u de stappen 3 en 4;
6. Wanneer alle gewenste nummers zijn geprogrammeerd, druk op **[PLAY]** (13) om de CD in de door u geprogrammeerde volgorde af te spelen.

Let op: Druk twee keer op **[STOP]** (14) om het afspeelprogramma te beëindigen.

AFSPELEN VIA USB

1. Kies "USB" mode door **[FUNCTIE]** (4) te gebruiken;
2. Sluit een USB-apparaat (max. 32GB) aan op de **[USB-AANSLUITING]** (1);
3. Het apparaat begint dan het eerste nummer te spelen.

PROGRAMMERING

De PROGRAMMERING-bewerking is hetzelfde als die van CD-MP3.

Let op:

- Sommige mp3-spelers kunnen mogelijk niet via de USB-aansluiting spelen. dit is geen maul-functie van het systeem.
- Verwijder het alleen wanneer de radio is uitgeschakeld om schade aan het USB-geheugen te voorkomen.
- De USB-aansluiting is niet ontworpen voor het opladen van smartphones of andere apparaten.

CASSETTEBANDJES AFSPELEN

1. Kies "TAPE" mode door **[FUNCTIE]** (4) te gebruiken;
2. Plaats een cassette TAPE in het **[MECHANISME]** (22);
3. Het apparaat begint automatisch met het afspelen van het cassettebandje.
 - Druk de **[TAPE FORWARD/EJECT]** (21) knop half in tijdens het afspelen.
 - Druk vervolgens zacht op deze knop (21) om normaal afspelen te hervatten.
 - Druk de knop **[TAPE FORWARD/EJECT]** (21) volledig in, waarna de cassette zal worden uitgeworpen.

BLUETOOTH BEDIENING

1. Kies "BT" mode door **[FUNCTIE]** (4) te gebruiken;
2. Verbind uw Blueto-apparaat met de ID Bluetooth die is gelabeld als "HIF-1993D+BT";
3. U kunt nu de muziek overbrengen naar de HIF-1993D+BT.

Let op: Muziekbesturing (afspelen, pauz., enz.) Moet vanaf uw ext. apparaat worden uitgevoerd.

AUX-IN

1. Kies "PHONO" mode door **[FUNCTIE]** (4) te gebruiken;
2. Gebruik een mannelijke naar mannelijke 3,5 mm-jackkabel (niet meegeleverd) om een extern audioapparaat op de **[AUX-AANSLUITING]** aan te sluiten (25);

Let op: Regeling van de muziek (afspelen,pauzeren,enz.)voert u uit op het ext. apparaat.

USB OPNAMEFUNCTIE

Let Op:

- Opnamesnelheid is 1:1.
- Er wordt geen songtitel opgenomen tijdens de coderingsmodus.
- Om schade aan het USB-geheugen te voorkomen, verwijdert u het alleen wanne-

er de radio is uitgeschakeld.

VAN DAB RADIO, PHONO, CASSETTE, BLUETOOTH EN AUX-IN:

1. Steek de USB-stick in de **[USB-AANSLUITING]** (1);
2. Voer normaal afspelen uit van de track die u wilt coderen & opnemen;
3. Druk tweemaal op de **[RECORD]** knop (5) om het coderen te starten. Het display toont "USB";
4. Als het record klaar is, drukt u op de knop **[STOP]** (14) om het opnemen te stoppen.

VAN CD

1. Steek de USB-stick in de **[USB-AANSLUITING]** (1);
2. Start met het normaal afspelen van de te coderen CD;
3. Druk op de **[RECORD]** knop (5) zodra de Cd is geladen.
4. Druk tijdens het afspelen herhaaldelijk op de knop **[SKIP - / +]** (15/16) om de gewenste coderingsoptie te selecteren:
 - REC-1: Selecteer om alleen de huidige track op te nemen;
 - REC-F: Selecteer om de hele map op te nemen;
 - REC-A: Selecteer om alle nummers van de CD op te nemen.
5. Druk op de knop **[RECORD]** (5) om te bevestigen;
6. De track gaat van zelf opnieuw starten en de display geeft "REC";
7. Druk op de **[STOP]** knop (14) om het opnemen te voltooien;

Let op: Nadat het coderen is voltooid, zal het apparaat het afspelen automatisch onderbreken.

TRACKS WISSEN VAN HET USB OPSLAGMEDIUM

1. Start met het normaal afspelen van de te wissen track;
2. Tijdens de afspeelmodus van de track dat je wilt verwijderen druk tweemaal op de **[DELETE]** knop (34) van de afstandsbediening. De huidige track is nu verwijderd.

TECHNISCHE SPECIFICATIES

Stroomvoorziening:	AC 230V ~ 50Hz.
Dekking van radiofrequentie	
DAB+ / DAB:	BAND III 174.928MHz - 239.200MHz.
FM:	87.5 - 108 MHz.
Luidspreker	
Uitgangsvermogen:	2 x 5 Watt rms.
Maximale Uitgangsvermogen:	2 x 40 Watt.
Algemeen	
Aux-In:	3.5mm jack plug.
Maximaal uitgestraald vermogen:	2.5 mW (4 dBm) (Bluetooth).
USB-Aansluiting Versie:	USB 3.0 / 200 mA.

Kenmerken zijn zonder voorafgaande kennisgeving onderhevig aan veranderingen.

WAARSCHUWING



Het uitroepteken in een gelijkzijdige driehoek is bedoeld om de gebruiker erop attent te maken dat de gebruikershandleiding belangrijke instructies bevat voor het gebruik en het onderhoud.



De bliksemschicht in een gelijkzijdige driehoek is bedoeld om de gebruiker te waarschuwen voor de aanwezigheid van gevaarlijke spanning binnen in het apparaat.



Om het risico op elektrische schokken te reduceren, dient het apparaat niet te worden geopend. Het apparaat bevat geen onderdelen die gerepareerd kunnen worden door de gebruiker. In het geval van een defect dient contact opgenomen te worden met een gekwalificeerde technicus voor de reparatie.

230v~



Dit apparaat is ontworpen om te werken op 230v~ 50Hz. Als het apparaat voor een langere tijd niet gebruikt gaat worden, dient de stekker uit het stopcontact te worden gehaald.



Stel het apparaat niet bloot aan regen of vocht.



Gebruik het apparaat uitsluitend nadat is gecontroleerd dat alle aansluitingen correct zijn uitgevoerd.



Plaats het apparaat op een voldoende geventileerde plek. Plaats het apparaat niet in de buurt van gordijnen, op het tapijt of in een stuk meubilair, zoals bijvoorbeeld een boekenkast.

Stel het apparaat niet bloot aan direct zonlicht of aan warmtebronnen.

CORRECTE AFVALVERWERKING VAN HET PRODUCT (elektrisch en elektronisch afval)



Dit symbool dat staat weergegeven op het product en in de documentatie ervan, duidt erop dat het product niet kan worden weggegooid met het gewone huisvuil aan het einde van de levensduur. Om schade aan het milieu of aan de gezondheid door ongepaste afvalverwijdering te voorkomen, dient de gebruiker dit product te scheiden van andere soorten afval op verantwoorde wijze ter bevordering van duurzaam hergebruik van de materiële hulpbronnen. De thuisgebruiker dient contact op te nemen met de verkoper van het apparaat of met de lokale gemeente voor informatie met betrekking tot het scheiden en recyclen van dit type product. Zakelijke gebruikers dienen contact op te nemen met hun leverancier en de algemene voorwaarden van de verkoopovereenkomst te raadplegen. Dit product dient niet te worden gemengd met ander bedrijfsafval voor de verwijdering.

POPIS OVLÁDACÍHO PANELU

1. VSTUP USB
2. TLAČÍTKO ON / OFF (Na dálkovém ovládnání stiskněte a podržte tlačítko ON / OFF)
3. NASTAVENÍ HLASITOSTI
4. TLAČÍTKO FUNKCE
5. TLAČÍTKO NAHRÁVÁNÍ
6. LCD DISPLEJ
7. MENU
8. INFO
9. SKENOVÁNÍ
10. PRESET
11. EQUALIZER
12. CD DVÍŘKA
13. PLAY / PAUSE: Stiskněte pro přehrávání. Při přehrávání stiskněte tlačítko pro dočasné zastavení přehrávání a znovu stiskněte tlačítko pro obnovení přehrávání.
14. STOP: Stiskněte, chcete-li dokončit přehrávání.
15. SKIP - / REWIND: Stisknutím tlačítka přejdete na předchozí skladbu, stisknutím a podržením se rychle vrátíte zpět.
16. SKIP + / FAST FORWARD: stisknutím tlačítka přejdete na další stopu, stisknutím a podržením se posunete dopředu.
17. PLAY-MODE: opakovaným stisknutím vyberte režim přehrávání (REPEAT, RANDOM)
18. TLAČÍTKO OTEVŘENÉ / ZAVŘENÉ DVEŘE CD
19. FREKVENČNÍ NASTAVENÍ / ENTER (stiskněte tlačítko "ENTER")
20. REPRODUKTORY
21. FFD/ EJECT
22. KAZETOVÁ MECHANIKA
23. FM ANTÉNA
24. NAPÁJECÍ KABEL
25. AUX
26. TALÍŘ
27. TRANZITNÍ ŠROUB
28. RAMENO
29. ADAPTÉR PRO VYROVNÁNÍ JEHLY GRAMOFONU
30. ZVEDAČ RAMENE
31. 33/45/78 RPM VÝBĚR RYCHLOSTI

DÁLKOVÉ OVLÁDÁNÍ

32. - / + 10 TRACK
33. TLAČÍTKO PROGRAMU
34. TLAČÍTKO DELETE
35. TLAČÍTKO MUTE

BEZPEČNOSTNÍ POKYNY

- **NÁVOD** - Před použitím rádia je třeba pozorně přečíst všechny bezpečnostní pokyny a pokyny pro použití. Návod je nutné uschovat pro pozdější nahlédnutí.
- **DODRŽUJTE UPOZORNĚNÍ** - Je třeba dodržovat všechna upozornění na zařízení i v pokynech pro použití.
- **VODA A VLHKOST** - Zařízení se nesmí používat v blízkosti kapalin nebo v místnostech s vysokou úrovní vlhkosti.
- **VENTILACE** - Zařízení musí být umístěno tak, aby jeho umístění nebo poloha nebránilo jeho vhodné ventilaci.
- **TEPLO** - Zařízení musí být umístěno v dostatečné vzdálenosti od zdrojů tepla, jako jsou radiátory, sporáky nebo jiná zařízení, která produkují teplo.
- **ZDROJ NAPÁJENÍ** - Rádio musí být připojeno výhradně ke zdroji elektrického napájení toho druhu, jaký je popsán v pokynech k použití nebo vyznačen na zařízení.
- **OCHRANA NAPÁJECÍHO KABELU** - Napájecí kabely musí být vedeny tak, aby se po nich neprocházelo, aby nedošlo k jejich přitlačení věcmi, které jsou na nich položené nebo jsou k nim přitlačené.
- **VNIKNUTÍ PŘEDMĚTŮ A TEKUTIN** - Je třeba dávat pozor, aby se zabránilo pádu předmětů a vylití tekutin do uzávěrů přes otvory.
- **POŠKOZENÍ VYŽADUJÍCÍ SERVIS** - Zařízení musí projít servisem ze strany kvalifikovaného personálu v případě, že:
 - Došlo k poškození napájecího kabelu nebo jeho zástrčky;
 - Došlo k pádu předmětů na rádio nebo vylití tekutin do rádia
 - Bylo zařízení vystaveno dešti;
 - Zařízení spadlo nebo došlo k poškození uzávěru;
 - Se zdá, že zařízení nefunguje obvyklým způsobem.
- **SERVIS** - Uživatel se nesmí pokoušet provádět servis zařízení, jestliže není příslušný postup popsán v pokynech k použití. Všechny provedené úkony servisu musí být oznámeny servisnímu personálu.

Poznámka: Když displej náležitě nefunguje nebo v případě, že nedochází k žádné reakci na použití ovládacích prvků, může to být způsobeno elektrostatickým výbojem. Vypněte, odpojte zařízení a vyjměte všechny baterie; znovu jej připojte až po uplynutí několika sekund.

NAPÁJENÍ

Tento přístroj je určen pro síť 230V ~ 50Hz. Připojte napájecí kabel k elektrické zásuvce. Ujistěte se, že napětí je stejné, jak je uvedeno na typovém štítku na zadní straně přístroje.

PROVOZ RÁDIA

1. Stiskněte tlačítko **[POWER]** (2) pro zapnutí přístroje;
2. Zvolte požadovaný zdroj zvuku stisknutím tlačítka **[FUNCTION]** (4);
3. (Podrobné pokyny pro každý zdroj naleznete v následujících kapitolách);
4. Nastavte hlasitost pomocí tlačítka **[NASTAVENÍ HLASITOSTI]** (3) na požadovanou úroveň;
5. Stiskněte a podržte tlačítko **[POWER]** (2) pro vypnutí přístroje.

Poznámka: Pokud se nezobrazí žádný zvuk, přístroj se vypne automaticky. po 10 minutách.

MENU

V režimu FM / DAB je nabídka možností.

1. Stisknutím **[MENU]** (7) otevřete možnosti.
2. Otáčením tlačítka **[FREKVENČNÍ NASTAVENÍ]** (19) přejděte na volby.
3. Stisknutím **[ENTER]** (19) vyberte volby.
4. Stisknutím **[MENU]** (7) opustíte nabídku.

NASTAVENÍ

V režimu FM / DAB stiskněte **[MENU]** (7) a pomocí tlačítek **[SKIP - / +]** (15/16) nebo **[FREKVENČNÍ NASTAVENÍ]** (19) vyberte "SYSTEM";

- Čas: Chcete-li nastavit požadovanou časovou volbu:
 - Nastavení času / datumu;
 - Automatická aktualizace;
 - Nastavení 12/24 hodin;
 - Nastavení datumu.
- Jazyk: Tuto možnost vyberte, chcete-li změnit jazyk.
- Aktualizace softwaru: Tuto možnost vyberte, pokud je uvolněna nová verze softwaru.
- Verze SW: vyberte tuto volbu, abyste viděli aktuální verzi softwaru.

NASTAVENÍ HODIN A DAT

V režimu DAB / FM:

1. Stiskněte tlačítko **[MENU]** (7) a zvolte "SYSTEM";
2. Pomocí tlačítek **[SKIP - / +]** (15/16) nebo **[FREKVENČNÍ NASTAVENÍ]** (19) zvolte "SYSTEM";
3. Potvrďte tlačítkem **[ENTER]** (19);
4. Pomocí tlačítek **[SKIP - / +]** (15/16) nebo **[FREKVENČNÍ NASTAVENÍ]** (19) zvolte "TIME";
5. Potvrďte tlačítkem **[ENTER]** (19);
6. Pomocí **[SKIP - / +]** (15/16) nebo **[FREKVENČNÍ NASTAVENÍ]** (19) zvolte "SET TIME / DATE";
7. Potvrďte tlačítkem **[ENTER]** (19);
8. Pomocí **[SKIP - / +]** (15/16) nebo **[FREKVENČNÍ NASTAVENÍ]** (19) nastavte hodinu;
9. Potvrďte tlačítkem **[ENTER]** (19);

10. Pomocí **[SKIP - / +]** (15/16) nebo **[FREKVENČNÍ NASTAVENÍ]** (19) nastavte minuty;
11. Potvrďte tlačítkem **[ENTER]** (19);
12. Opakujte kroky 10 a 11 pro nastavení data.

PROVOZ DAB RADIA

1. Zvolte režim "DAB" opakovaným stisknutím tlačítka **[FUNCTION]** (4);
2. Chcete-li vybrat požadovanou rozhlasovou stanici, stiskněte opakovaně tlačítka **[SKIP - / +]** (15/16).

DAB PRESET

Můžete naprogramovat maximálně 20 přednastavených rozhlasových stanic.

1. Vyberte svou oblíbenou stanici, jak bylo vysvětleno dříve;
2. Stiskněte a podržte tlačítko **[PRESET]** (10). Na displeji se objeví "Preset Store";
3. Stisknutím **[SKIP - / +]** (15/16) vyberte číslo předvolby;
4. Potvrďte stisknutím **[ENTER]** (19).

Chcete-li vyvolat předvolbu stanice, stiskněte opakovaně tlačítka **[PRESET]** (10) a potom tlačítka **[SKIP - / +]** (15/16).

DAB MENU

Stisknutím **[MENU]** (7) otevřete možnosti.

- Úplné skenování: Tuto možnost vyberte, chcete-li provést úplné skenování dostupných programů DAB. Stisknutím tlačítka SKENOVÁNÍ (9) můžete provést stejnou akci.
- Ruční ladění: Tuto možnost vyberte ručně pro volbu frekvence DAB.
- DRC: Zvolte tuto možnost pro volbu mezi DRC low, DRC high a DRC off.

DAB INFO

Opakovaným stisknutím tlačítka **[INFO]** (8) zobrazíte následující informace: JMÉNO / KBPS / DATUM / ČAS.

OVLÁDÁNÍ FM RÁDIA

1. Zvolte režim "FM" opakovaným stisknutím tlačítka **[FUNCTION]** (4);
2. Otáčením tlačítka **[FREKVENČNÍ NASTAVENÍ]** (19) ručně nastavte frekvenci nebo stisknutím tlačítka **[SCAN]** (9) skenujete další / předchozí dostupnou stanici.

FM PRESET

Viz pokyny DAB PRESET.

FM MENU

Stisknutím **[MENU]** (7) otevřete možnosti.

- Nastavení skenování: Tuto možnost vyberte, chcete-li zvolit skenování všech stanic nebo pouze silných stanic.
- Nastavení zvuku: Tuto možnost vyberte, chcete-li vybrat mezi monofonním zvukem nebo stereofonním zvukem.

FM INFO

Opakovaným stisknutím tlačítka **[INFO]** (8) zobrazíte následující informace: DRUH PROGRAMU / FREKVENCE / AUDIO / DATUM / ČAS.

GRAMOFON

Poznámka: Při prvním použití otočného talíře odšroubujte **[TRANZITNÍ ŠROUB]** (27) umístěný na pravé horní straně otočného talíře.

1. Zvolte režim "PHONO" opakovaným stisknutím tlačítka **[FUNCTION]** (4);
2. Otevřete víko gramofonu. Uvolněte rameno přenosky a odstraňte kryt jehly. Položte desku na talíř přes středový trn
3. Nastavte volič otáček (31) na 33, 45 nebo 78 ot / min podle záznamu;
4. Uvolněte svorku (29) a vyjměte ochranný kryt pera;
5. Zvedněte rameno pomocí zdvihací páky (30);
6. Položte přenosku na začátek desky, nebo na začátek určité skladby.
7. Pro přehrávání jemně spusťte přenosku pomocí páčky na desku. (30);
8. Po ukončení přehrávání se přenoska zastaví a automaticky vrátí na podstavec. Pro manuální ukončení přehrávání zvedněte přenosku a dejte na podstavec.

Poznámka: Nezastavujte nebo neotáčejte **[TALÍŘ]** (26) ručně.

Když je jednotka přemístěna nebo přepravována:

- Uzamkněte **[RAMENO]** (28) pomocí **[ARETACE]** (29);
- Umístěte ochranný kryt jehlu (i když se nepoužívá);
- Našroubujte **[TRANZITNÍ ŠROUB]** (27) proti směru hodinových ručiček, dokud necítíte odpor (nezavírejte jej úplně).

CD-MP3

1. Zvolte režim "CD" opakovaným stisknutím tlačítka **[FUNCTION]** (4);
2. Stisknutím tlačítka **[OPEN / CLOSE]** (18) otevřete dvířka CD (12) a vložte CD s nálepkou nahoru do prostoru pro CD.
3. Zavřete dvířka CD (12). Hledá se ostření a přehrávání se automaticky spustí od první stopy.

PROGRAMOVÁNÍ

Až 99 záznamů (MP3, 20 v CD) lze naprogramovat a přehrávat v libovolném pořadí.

1. Zastavte přehrávání stisknutím tlačítka **[STOP]** (14);
2. Stiskněte **[PLAY MODE]** (17), displej (6) zobrazí "P01" a bliká;
3. Pomocí tlačítek **[SKIP - / +]** (15/16) vyberte požadovanou skladbu;
4. Opět stiskněte **[PLAY MODE]** (17) pro potvrzení požadované stopy do paměti programu;
5. Opakováním kroků 3 a 4 zadejte další stopy do paměti programu.
6. Po naprogramování všech požadovaných skladeb stiskněte tlačítko **[PLAY]** (13) pro přehrávání disku v pořadí, které jste naprogramovali.

Poznámka: Dvakrát stiskněte tlačítko **[STOP]** (14) pro ukončení naprogramovaného přehrávání.

USB

1. Zvolte režim "USB" opakovaným stisknutím tlačítka **[FUNCTION]** (4);
2. Připojte zařízení USB (max. 32GB) do zásuvky USB (1);

3. Přehrávání se spustí automaticky od první stopy.

PROGRAMOVÁNÍ

Operace PROGRAMOVÁNÍ je stejná jako funkce CD-MP3.

Poznámka:

- Některý přehrávač mp3 nemusí skladby přehrávat prostřednictvím USB.
- Abyste zabránili poškození paměti USB, odstraňte ji pouze tehdy, když je rádio vypnuté.
- USB vstup není určen pro nabíjení smartphonů nebo jiných zařízení.

PŘEHRÁVÁNÍ MAGNETOFONU

1. Zvolte režim "TAPE" opakovaným stisknutím tlačítka **[FUNCTION]** (4);
2. Vložte kazetu TAPE do mechanismu (22);
3. Po zasunutí kazety začne systém automaticky přehrávat.
 - Stisknutím tlačítka **[TAPE FORWARD / EJECT]** (21) během přehrávání, páska se převíjí vpřed.
 - Opětovným stisknutím tlačítka **[TAPE FORWARD / EJECT]** (21) opět spustíte přehrávání.
 - Stiskněte úplně tlačítko **[TAPE FORWARD / EJECT]** (21) a kazeta se vysune.

BLUETOOTH

1. Zvolte režim "BT" opakovaným stisknutím tlačítka **[FUNCTION]** (4);
2. Připojte přenosné zařízení Bluetooth k ID Bluetooth označenému jako "HIF-1993D + BT";
3. Nyní můžete převést hudbu na HIF-1993D + BT.

Poznámka: Ovládání hudby (přehrávání, pauza atd.) Musí být provedeno z vašeho externího zařízení.

AUX-IN

1. Zvolte režim "AUX" opakovaným stisknutím tlačítka **[FUNCTION]** (4);
2. Pro připojení externího zvukového zařízení do zásuvky **[AUX-IN]** (25) použijte jeden kabel 3,5 mm jack (není součástí dodávky).

Poznámka: Ovládání hudby (přehrávání, pauza atd.) Musí být provedeno z vašeho externího zařízení.

PŘEHRÁVÁNÍ Z USB

Poznámka:

- Rychlost nahrávání je 1: 1.
- Během kódování se nezaznamená žádný titul skladby.
- Aby nedošlo k poškození paměti USB, odstraňte ji pouze tehdy, když je rádio vypnuté.

KÓDOVÁNÍ Z GRAMOFON, DAB RADIA, CD, KAZETY, BLUETOOTH A AUX-IN:

1. Zasuňte USB do zásuvky (1);
2. Proveďte normální přehrávání stopy, kterou chcete kódovat a nahrávat;
3. Stiskněte dvakrát tlačítko **[RECORD]** (5) pro spuštění kódování. Na displeji se zobrazí "REC";
4. Po dokončení záznamu zastavte nahrávání stisknutím tlačítka **[STOP]** (14).

KÓDOVÁNÍ Z CD:

1. Zasuňte USB do zásuvky (1);
2. Proveďte přehrávání CD, které chcete kódovat a nahrávat;
3. Po dokončení vyhledávání stiskněte tlačítko **[RECORD]** (5);
4. Během přehrávání opakovaně stiskněte tlačítko **[SKIP - / +]** (15/16) a vyberte požadovanou možnost kódování:
 - REC-1: Zvolte pro záznam pouze aktuální stopy
 - REC-F: Zvolte pro záznam celé složky
 - REC-A: Vyberte, chcete-li zaznamenat všechny stopy disku CD.
5. Stiskněte tlačítko **[RECORD]** (5) pro potvrzení
6. Přehrávání se zastaví a restartuje automaticky a na displeji (6) začne blikat nápis "REC". Kódování probíhá nyní;
7. Stiskněte tlačítko **[STOP]** (14) pro dokončení nahrávání.

Poznámka: Po dokončení nahrávání zařízení automaticky zastaví přehrávání.

SMAZÁNÍ USB

1. Proveďte normální přehrávání stopy, kterou chcete smazat;
2. Během přehrávání stopy, kterou chcete odstranit, stiskněte dvakrát tlačítko **[DELETE]** (34) na dálkovém ovladači.

TECHNICKÉ ÚDAJE

Napájení:	AC 230V ~ 50Hz.
Rádiové frekvenční pokrytí	
DAB + / DAB:	PÁSMO III 174,928 MHz - 239,200 MHz.
FM:	87.5 - 108 MHz.
Reproduktorů	
Výstupní výkon:	2 x 5 Watt rms.
Maximální Výstupní výkon:	2 x 40 Watt.
Všeobecné	
Aux-In:	Konektor 3,5 mm.
BT Maximální vyzařovaný výkon:	2,5 mW (4 dBm).
USB:	USB 3.0 / 200 mA.

Specifikace a konstrukce podléhají možným změnám bez předchozího upozornění z důvodu zlepšení.

UPOZORNĚNÍ



Vykřičník uvnitř trojúhelníka na zadní straně skříňky přístroje upozorňuje uživatele na důležité pokyny pro obsluhu a ošetřování přístroje, uvedené v jeho doprovodné dokumentaci. čeština



Symbol blesku uvnitř trojúhelníka na zadní straně skříňky přístroje upozorňuje uživatele na existenci životu nebezpečného napětí na některých dílech uvnitř skříňky přístroje.



Nevyjímejte přístroj ze skříňky – riziko úrazu elektrickým proudem. Uvnitř skříňky nejsou díly, které by mohl opravit nebo seřídit jeho uživatel bez odpovídajícího vybavení a kvalifikace. Bude-li přístroj vyžadovat seřízení nebo opravu kontaktujte odborný servis. Zásahem do přístroje v době platnosti záruky se vystavujete riziku ztráty event. záručních plnění.

230v~



Přístroj je konstruován pro napájení střídavým napětím 230 V / 50 Hz z elektrické sítě. Pokud nebudete přístroj delší dobu používat odpojte jej od elektrické sítě vyjmutím vidlice síťového kabelu přístroje ze síťové zásuvky.



Chraňte přístroj před zмокnutím, postříkáním nebo politím jakoukoliv kapalinou.



Vypnutím přístroje není přístroj odpojen od elektrické sítě. Pro odpojení přístroje od elektrické sítě vyjměte vidlici síťového kabelu přístroje ze síťové zásuvky. Před zapnutím přístroje přezkontrolujte všechna připojení k přístroji.



Neumísťujte přístroj na přímém slunci nebo v blízkosti zdrojů tepla. Vysokými teplotami je významně zkracována životnost elektronických dílů přístroje.

POKYNY PRO SPRÁVNOU LIKVIDACI VÝROBKU

(likvidaci použitých elektrických a elektronických zařízení)



Tento symbol na výrobku, jeho příslušenství nebo obalu označuje, že při pozdější likvidaci výrobku (z jakýchkoliv důvodů) nesmí být s výrobkem zacházeno jako s domovním odpadem. Výrobek zlikvidujte jeho předáním na sběrné místo pro likvidaci použitých elektrických a elektronických zařízení šetrnou k životnímu prostředí. Zajištěním jejich správné likvidace zabráníte vzniku potenciálních rizik pro životní prostředí a lidské zdraví, která by mohla vzniknout nesprávným zacházením s odpady. Kromě toho recyklace odpadových materiálů napomáhá udržení přírodních zdrojů surovin pro příští generace. Podrobné informace k likvidaci tohoto výrobku šetrné k životnímu prostředí získáte u pracovníka ochrany životního prostředí místního (městského nebo obvodního) úřadu nebo v prodejně, ve které jste výrobek zakoupili.

POPIS OVLÁDACIEHO PANELA

1. VSTUP USB
2. TLAČÍTKO ON / OFF (NA DIAĽKOVOM OVLÁDAČI STLAČTE A PODRŽTE TLAČÍTKO ON / OFF)
3. NASTAVENIE HLASITOSTI
4. TLAČÍTKO FUNKCIE
5. TLAČÍTKO NAHRÁVANIE
6. LCD DISPLEJ
7. MENU
8. INFO
9. SKENOVANIE
10. PRESET
11. EQUALIZER
12. CD DVIERKA
13. PLAY / PAUSE: STLAČTE PRE PREHRÁVANIE. PRI PREHRÁVANÍ STLAČTE TLAČÍTKO PRE DOČASNÉ ZASTAVENIE PREHRÁVANIE A ZNOVU STLAČTE TLAČÍTKO PRE OBNOVENIE PREHRÁVANIE.
14. STOP: STLAČTE, AK CHCETE DOKONČIŤ PREHRÁVANIE.
15. SKIP - / REWIND: STLAČENÍM TLAČÍTKA PREJDETE NA PREDCHÁDZAJÚCU SKLADBU, STLAČENÍM A PODRŽANÍM SA RÝCHLO VRÁTITE SPÄŤ.
16. SKIP + / FAST FORWARD: STLAČENÍM TLAČÍTKA PREJDETE NA ĎALŠIU STOPU, STLAČENÍM A PODRŽANÍM SA POSUNIETE DOPREDU.
17. PLAY-MODE: OPAKOVANÝM STLAČANÍM VYBERTE REŽIM PREHRÁVANIA (REPEAT, RANDOM)
18. OTVORENÉ / ZATVORENÉ DVERE CD
19. FREKVENČNÝ NASTAVENIE / ENTER (STLAČTE TLAČÍTKO "ENTER")
20. REPRODUKTORY
21. FFD / EJECT
22. KAZETOVÁ MECHANIKA
23. FM ANTENNA
24. NAPÁJACÍ KÁBEL
25. AUX
26. TANIER
27. TRANZITNÁ SKRUTKA
28. RAMENO
29. ADAPTÉR VYROVNANIA IHLY GRAMOFÓNA
30. ZVEDAČ RAMENA
31. 33/45/78 RPM VÝBER RÝCHLOSTI

DIAĽKOVÉ OVLÁDANIE

32. - / + 10 TRACK
33. TLAČÍTKO PROGRAMU
34. TLAČÍTKO DELETE
35. TLAČÍTKO MUTE

BEZPEČNOSTNÉ POKYNY

- **NÁVOD** - Pred použitím rádia si pozorne prečítajte všetky bezpečnostné pokyny a pokyny pre použitie. Návod je potrebné uschovať kvôli následnému nahliadnutiu.
- **DODRŽUJTE UPOZORNENIA** - Je potrebné dodržiavať všetky upozornenia uvedené na zariadení i v pokynoch pre použitie.
- **VODA A VLHKOSŤ** - Zariadenie nesmie byť používané v blízkosti kvapalín alebo v miestnostiach s vysokou úrovňou vlhkosti.
- **VENTILÁCIA** - Zariadenie musí byť umiestnené tak, aby bola umožnená vhodná ventilácia.
- **TEPLO** - Zariadenie musí byť umiestnené v dostatočnej vzdialenosti od zdrojov tepla, ako sú radiátory, sporáky alebo iné zariadenia produkujúce teplo.
- **ZDROJ NAPÁJANIA** - Rádio musí byť pripojené výhradne k zdroju elektrického napájania uvedeného v pokynoch na použitie, alebo vyznačeného na zariadení.
- **OCHRANA NAPÁJACIEHO KÁBLA** - Napájacie káble musia byť vedené tak, aby sa po nich nešliapalo a aby neboli pritlačené žiadnymi predmetmi.
- **VNIKNUTIE PREDMETOV A TEKUTÍN** - Dávajte pozor, aby vám cez otvory v kryte nepadol do vnútra žiadny predmet a aby ste nevyliali žiadnu tekutinu.
- **POŠKODENIE VYŽADUJÚCE SERVIS** - Na zariadení musí byť vykonaný servis kvalifikovaným technikom v prípade, ak:
 - Došlo k poškodeniu napájacieho kábla alebo jeho zástrčky;
 - Došlo k pádu predmetov na rádio alebo vyliatiu tekutín do rádia
 - Bolo zariadenie vystavené dažďu;
 - Zariadenie spadlo, alebo ak bol poškodený uzáver;
 - Existuje podozrenie, že zariadenie nefunguje obvyklým spôsobom.
- **SERVIS** - Užívateľ sa nesmie pokúšať o vykonanie servisu zariadenia, ak príslušný postup nie je popísaný v pokynoch na použitie. Všetky servisné úkony musia byť oznámené servisnému technikovi.

Poznámka: Keď displej správne nefunguje, alebo keď nedochádza k žiadnej reakcii po stlačení ovládacích prvkov, môže to byť spôsobené elektrostatickým výbojom. Vypnite, odpojte zariadenie a vyberte všetky batérie; znovu ho pripojte až po uplynutí niekoľkých sekúnd.

NAPÁJANIE

Tento prístroj je určený pre sieť 230V ~ 50Hz. Pripojte napájací kábel k elektrickej zásuvke. Uistite sa, že napätie je rovnaké, ako je uvedené na štítku na zadnej strane prístroja.

PREVÁDZKA RÁDIA

1. Stlačte Tlačítko **[POWER]** (2) pre zapnutie prístroja;
2. Zvoľte požadovaný zdroj zvuku stlačením tlačítka **[FUNCTION]** (4);
3. (Podrobné pokyny pre každý zdroj nájdete v nasledujúcich kapitolách);
4. Nastavte hlasitosť pomocou tlačítka **[NASTAVENIE HLASITOSTI]** (3) na požadovanú úroveň;
5. Podržte stlačené Tlačítko **[POWER]** (2) pre vypnutie prístroja.

Poznámka: Ak sa nezobrazí žiadny zvuk, prístroj sa vypne automaticky. po 10 minútach.

MENU

V režime FM / DAB je ponuka možností.

1. Stlačením **[MENU]** (7) otvoríte možnosti.
2. Otáčaním tlačítka **[FREKVENČNÝ NASTAVENIE]** (19) prejdite na voľby.
3. Stlačením **[ENTER]** (19) vyberte voľby.
4. Stlačením **[MENU]** (7) opustíte ponuku.

NASTAVENIE

V režime FM / DAB stlačte **[MENU]** (7) a pomocou tlačidiel **[SKIP - / +]** (15/16) alebo **[FREKVENČNÝ NASTAVENIE]** (19) vyberte "SYSTEM";

- Čas: Ak chcete nastaviť požadovanú časovú voľbu:
 - Nastavenie času / dátumu;
 - Automatická aktualizácia;
 - Nastavenie 12/24 hodín;
 - Nastavenie dátumu.
- Jazyk: Túto možnosť vyberte, ak chcete zmeniť jazyk.
- Aktualizácia softvéru: Túto možnosť vyberte, ak je uvoľnená nová verzia softvéru.
- Verzia SW: vyberte túto voľbu, aby ste videli aktuálnu verziu softvéru.

NASTAVENIE HODÍN A DATA

V režime DAB / FM:

1. Stlačte Tlačítko **[MENU]** (7) a zvoľte "SYSTEM";
2. Pomocou tlačidiel **[SKIP - / +]** (15/16) alebo **[FREKVENČNÝ NASTAVENIE]** (19) zvoľte "SYSTEM";
3. Potvrďte Tlačítkom **[ENTER]** (19);
4. Pomocou tlačidiel **[SKIP - / +]** (15/16) alebo **[FREKVENČNÝ NASTAVENIE]** (19) zvoľte "TIME";
5. Potvrďte Tlačítkom **[ENTER]** (19);
6. Pomocou **[SKIP - / +]** (15/16) alebo **[FREKVENČNÝ NASTAVENIE]** (19) zvoľte "SET TIME / DATE";
7. Potvrďte Tlačítkom **[ENTER]** (19);
8. Pomocou **[SKIP - / +]** (15/16) alebo **[FREKVENČNÝ NASTAVENIE]** (19) nastavte hodinu;
9. Potvrďte Tlačítkom **[ENTER]** (19);

10. Pomocou **[SKIP - / +]** (15/16) alebo **[FREKVENČNÝ NASTAVENIE]** (19) nastavte minúty;
11. Potvrďte Tlačítkom **[ENTER]** (19);
12. Opakujte kroky 10 a 11 pre nastavenie dátumu.

PREVÁDZKA DAB RADIA

1. Zvoľte režim "DAB" opakovaným stláčaním tlačítka **[FUNCTION]** (4);
2. Ak chcete vybrať požadovanú rozhlasovú stanicu, stlačte opakovane tlačidlá **[SKIP - / +]** (15/16).

DAB PRESET

Môžete naprogramovať maximálne 20 prednastavených rozhlasových staníc.

1. Vyberte svoju obľúbenú stanicu, ako je vysvetlené vyššie;
2. Stlačte a podržte Tlačítko **[PRESET]** (10). Na displeji sa objaví "Preset Store";
3. Stlačením **[SKIP - / +]** (15/16) vyberte číslo predvoľby;
4. Potvrďte stlačením **[ENTER]** (19).

Ak chcete vyvolať predvoľbu stanice, stlačte opakovane tlačítko **[PRESET]** (10) a potom tlačítko **[SKIP - / +]** (15/16).

DAB MENU

Stlačením **[MENU]** (7) otvoríte možnosti.

- Úplné skenovania: Túto možnosť vyberte, ak chcete vykonať úplné skenovanie dostupných programov DAB. Stlačením tlačítka **[SKENOVANIE]** (9) môžete vykonať rovnakú akciu.
- Ručné ladenie: Túto možnosť vyberte ručne pre voľbu frekvencie DAB.
- DRC: Zvoľte túto možnosť pre voľbu medzi DRC low, DRC high a DRC off.

DAB INFO

Opakovaným stláčaním tlačítka **[INFO]** (8) zobrazíte nasledujúce informácie: MENO / KBPS / DÁTUM / ČAS.

OVLÁDANIE FM RÁDIA

1. Zvoľte režim "FM" opakovaným stláčaním tlačítka **[FUNCTION]** (4);
2. Otáčaním tlačítka **[FREKVENČNÝ NASTAVENIE]** (19) ručne nastavte frekvenciu alebo stlačením tlačítka **[SKENOVANIE]** (9) skenujete ďalšiu / predchádzajúcu dostupnú stanicu.

FM PRESET

Pozri pokyny DAB PRESET.

FM MENU

Stlačením **[MENU]** (7) otvoríte možnosti.

- Nastavenie skenovania: Túto možnosť vyberte, ak chcete zvoliť skenovanie všetkých staníc alebo iba silných staníc.
- Nastavenie zvuku: Túto možnosť vyberte, ak chcete vybrať medzi monofónnym zvukom alebo stereofónnym zvukom.

FM INFO

Opakovaným stláčaním tlačítka **[INFO]** (8) zobrazíte nasledujúce informácie: DRUH PROGRAMU / FREKVENCIA / AUDIO / DÁTUM / ČAS.

GRAMOFON

Poznámka: Pri prvom použití otočného taniera odšraubujte **[TRANZITNÁ SKRUTKA]** (27) umiestnený na pravej hornej strane otočného taniera.

1. Zvoľte režim "PHONO" opakovaným stláčaním tlačítka **[FUNCTION]** (4);
2. Otvorte veko gramofónu. Uvoľnite rameno prenosky a odstráňte kryt ihly. Položte dosku na tanier cez stredový trň
3. Nastavte volič otáčok (31) na 33, 45 alebo 78 ot / min podľa záznamu;
4. Uvoľnite svorku svorky (29) a vyberte ochranný kryt
5. Zdvihnite rameno pomocou zdvíhacie páky (30);
6. Zdvihnite prenosku pomocou páčky. Položte prenosku na začiatok dosky, alebo na začiatok určitej skladby.
7. Pre prehrávanie jemne spustíte prenosku pomocou páčky na dosku. (30);
8. Po ukončení prehrávania sa prenoska zastaví a automaticky vráti na podstavec. Pre manuálnym ukončenie prehrávania zdvihnite prenosku a dajte na podstavec.

Poznámka: Nezastavujte ani neprepínajte **[TANIER]** (26) manuálne.

Keď sa jednotka premiestňuje alebo prepravuje:

- Uzamknite tlačidlo **[RAMENO]** (28) pomocou tlačidla **[ARETÁCIA]** (29);
- Umiestnite ochranný kryt na dotykovou ihlu (aj keď sa nepoužíva);
- Zaskrutkujte **[TRANZITNÁ SKRUTKA]** (27) proti smeru hodinových ručičiek, kým nebudete cítiť odpor (úplne nezaskočte).

CD-MP3

1. Zvoľte režim "CD" opakovaným stláčaním tlačítka **[FUNCTION]** (4);
2. Stlačením tlačítka **[OPEN / CLOSE]** (18) otvorte dvierka CD (12) a vložte CD s nálepkou hore do priestoru pre CD.
3. Zatvorte dvierka CD (12). Hľadá sa ostrenie a prehrávanie sa automaticky spustí od prvej stopy.

PROGRAMOVANIE

Až 99 záznamov (MP3, 20 v CD) možno naprogramovať a prehrávať v ľubovoľnom poradí.

1. Zastavte prehrávanie stlačením tlačítka **[STOP]** (14);
2. Stlačte **[PLAY MODE]** (17), displej (6) zobrazí "P01" a bliká;
3. Pomocou tlačidiel **[SKIP - / +]** (15/16) vyberte požadovanú skladbu;
4. Opäť stlačte **[PLAY MODE]** (17) pre potvrdenie požadovanej stopy do pamäti programu;
5. Opakovaním krokov 3 a 4 zadajte ďalšie stopy do pamäti programu.
6. Po naprogramovaní všetkých požadovaných skladieb stlačte Tlačítko **[PLAY]** (13) pre prehrávanie disku v poradí, ktoré ste naprogramovali.

Poznámka: Dvakrát stlačte Tlačítko **[STOP]** (14) pre ukončenie naprogramovaného prehrávania.

USB

1. Zvoľte režim "USB" opakovaným stláčaním tlačítka **[FUNCTION]** (4);
2. Pripojte zariadenie USB (max. 32GB) do zásuvky USB (1);
3. Prehrávanie sa spustí automaticky od prvej stopy.

PROGRAMOVANIE

Operácia PROGRAMOVANIE je rovnaká ako funkcia CD-MP3.

Poznámka:

- Niektorý prehrávač mp3 nemusí skladby prehrávať prostredníctvom USB.
- Aby ste zabránili poškodeniu pamäti USB, odstráňte ju len vtedy, keď je rádio vypnuté.
- USB vstup nie je určený pre nabíjanie smartfónov alebo iných zariadení.

PREHRÁVANIE MAGNETOFÓNU

1. Zvoľte režim "TAPE" opakovaným stláčaním tlačítka **[FUNCTION]** (4);
2. Vložte kazetu TAPE do mechanizmu (22);
3. Po zasunutí kazety začne systém automaticky prehrávať.
 - Stlačením tlačítka **[TAPE FORWARD / EJECT]** (21) počas prehrávania, páska sa prevíja vpred.
 - Opätovným stlačením tlačítka **[TAPE FORWARD / EJECT]** (21) opäť spustíte prehrávanie.
 - Stlačte úplne Tlačítko **[TAPE FORWARD / EJECT]** (21) a kazeta sa vysunie.

BLUETOOTH

1. Zvoľte režim "BT" opakovaným stláčaním tlačítka **[FUNCTION]** (4);
2. Pripojte prenosné zariadenie Bluetooth k ID Bluetooth označenému ako "HIF-1993D + BT";
3. Teraz môžete previesť hudbu na HIF-1993D + BT.

Poznámka: Ovládanie hudby (prehrávanie, pauza atď.) Musia byť vykonané z vášho externého zariadenia.

AUX-IN

1. Zvoľte režim "AUX" opakovaným stláčaním tlačítka **[FUNCTION]** (4);
2. Pre pripojenie externého zvukového zariadenia do zásuvky **AUX-IN** (25) použite jeden kábel 3,5 mm jack (nie je súčasťou dodávky).

Poznámka: Ovládanie hudby (prehrávanie, pauza atď.) Musia byť vykonané z vášho externého zariadenia.

PREHRÁVANIE Z USB

Poznámka:

- Rýchlosť nahrávania je 1: 1.
- Počas kódovania sa nezaznamená žiadny titul skladby.
- Aby nedošlo k poškodeniu pamäte USB, odstráňte ju len vtedy, keď je rádio vypnuté.

KÓDOVANIE Z GRAMOFON, DAB RADIA, CD, KAZETY, BLUETOOTH A AUX-IN:

1. Zasuňte USB do zásuvky (1);
2. Urobte normálne prehrávanie stopy, ktorú chcete kódovať a nahrávať;
3. Stlačte dvakrát Tlačítko **[RECORD]** (5) pre spustenie kódovania. Na displeji sa zobrazí "REC";
4. Po dokončení nahrávania zastavte nahrávanie stlačením **[STOP]** (14).

KÓDOVANIE Z CD:

1. Zasuňte USB do zásuvky (1);
2. Urobte prehrávanie CD, ktoré chcete kódovať a nahrávať;
3. Po dokončení vyhľadávania stlačte tlačidlo **[RECORD]** (5);
4. Počas prehrávania opakovane stlačte tlačidlo **[SKIP - / +]** (15/16) a požadovanú možnosť kódovania:
 - REC-1: Vyberte pre záznam iba aktuálnej stopy
 - REC-F: Vyberte pre záznam celej zložky
 - REC-A: Vyberte, ak chcete zaznamenať všetky stopy disku CD.
5. Stlačte tlačidlo **[RECORD]** (5) pre potvrdenie
6. Prehrávanie sa zastaví a reštartuje automaticky a na displeji (6) začne blikať nápis "REC". Kódovanie prebieha teraz;
7. Stlačte tlačidlo **[STOP]** (14) pre dokončenie nahrávania.

Poznámka: Po dokončení nahrávania zariadenie automaticky zastaví prehrávanie.

ZMAZANIE USB

1. Vykonajte normálne prehrávanie stopy, ktorú chcete zmazať;
2. Počas prehrávania stopy, ktorú chcete odstrániť, stlačte dvakrát Tlačítko **[DELETE]** (34) na diaľkovom ovládači.

TECHNICKÉ ÚDAJE

Napájanie:	AC 230V ~ 50Hz.
Rádiové frekvenčné pokrytie	
DAB + / DAB:	PÁSMO III 174,928 MHz - 239,200 MHz.
FM:	87.5 - 108 MHz.
Reproduktorov	
Výstupný výkon:	2 x 5 Watt rms.
Maximálny Výstupní výkon:	2 x 40 Watt.
Všeobecné	
Aux-In:	konektor 3,5 mm.
BT Maximálny vyžarovaný výkon:	2,5 mW (4 dBm).
USB:	USB 3.0 / 200 mA.

Špecifikácie a konštrukcia podliehajú možným zmenám bez predchádzajúceho upozornenia z dôvodu zlepšenia.

OPOZORILO



Výkričník vo vnútri trojuholníka na skrinke prístroja upozorňuje užívateľa na existenciu dôležitých pokynov pre jeho obsluhu uvedených v návode.



Symbol blesku vo vnútri trojuholníka upozorňuje užívateľa na nebezpečné napätie na niektorých dieloch vo vnútri skrinky prístroja.



230v~



Nevyberajte prístroj zo skrinky - riziko úrazu elektrickým prúdom. Vo vnútri skrinky prístroja nie sú diely ktoré by mohol opraviť alebo nastaviť jeho užívateľ bez zodpovedajúceho vybavenia a kvalifikácie. Ak bude prístroj vyžadovať nastavenie alebo opravu kontaktujte odborný servis. Zásahom do prístroja v dobe platnosti záruky sa vystavujete riziku straty príj. záručných plnení.



Chráňte prístroj pred zmoknutím, postriekaním alebo poliatím akoukoľvek kvapalinou - riziko úrazu elektrickým prúdom. Nepoužívajte prístroj mimo miestnosti.



Pre odpojenie prístroja od elektrickej siete vyberte vidlicu sieťového kábla prístroja zo sieťovej zásuvky.

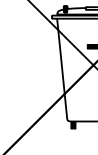


Prístroj umiestenie na dobre vetranom mieste. Nezakrývajte vetracie otvory skrinky prístroja - riziko jeho prehriatia a poškodenia.

Chráňte prístroj pred priamym slnkom, neumiestňujte prístroj v blízkosti zdrojov tepla. Vysokými teplotami je výrazne skracovaná životnosť elektronických komponentov prístroja.

POKYNY PRE SPRÁVNU LIKVIDÁCIU VÝROBKU

(likvidácii použitých elektrických a elektronických zariadení)



Tento symbol na výrobku, jeho príslušenstve alebo obale označuje, že pri naskoršej likvidácii výrobku (z akýchkoľvek dôvodov) nesmie byť s výrobkom zachádzané ako s domácim odpadom. Výrobok zlikvidujte jeho odovzdaním na zberné miesto pre likvidáciu použitých elektrických a elektronických zariadení šetrnú k životnému prostrediu. Zaistením ich správnej likvidácie zabránite vzniku potenciálnych rizík pre životné prostredie a ľudské zdravie, ktorá by mohla vzniknúť nesprávnym zachádzaním s odpadmi. Okrem toho recyklácia odpadových materiálov napomáha udržaniu prírodných zdrojov surovín pre budúce generácie. Podrobné informácie k likvidácii tohto výrobku šetrné k životnému prostrediu získate u pracovníka ochrany životného prostredia miestneho (mestského alebo obvodného) úradu alebo v predajni, v ktorej ste výrobok zakúpili.

Hereby, Roadstar Management SA declares that the radio equipment type HIF-1993D+BT is in compliance with Directive 2014/53/EU.

The full text of the EU declaration of conformity is available at the following internet address:

<http://roadstar.com/images/ce/HIF-1993D+BT.pdf>

or by scanning the following QR Code.

Roadstar Management SA erklärt hiermit, dass das Funkgerät vom Typ HIF-1993D+BT der Richtlinie 2014/53 / EU entspricht.

Der vollständige Text der EU-Konformitätserklärung ist unter der folgenden Internetadresse verfügbar:

<http://roadstar.com/images/ce/HIF-1993D+BT.pdf>

oder durch Scannen des folgenden QR-Codes.

Nous, soussignés Roadstar Management SA, déclarons que l'équipement radio de type HIF-1993D+BT est conforme aux exigences de la directive 2014/53/EU. Le texte complet de cette déclaration de conformité EU est disponible à l'adresse internet suivante:

<http://roadstar.com/images/ce/HIF-1993D+BT.pdf>

ou en scannant le code QR suivant.

Con la presente, Roadstar Management SA dichiara che l'apparecchiatura radio del tipo HIF-1993D+BT è conforme alla Direttiva 2014/53 / UE.

Il testo completo della dichiarazione di conformità UE è disponibile al seguente indirizzo Internet:

<http://roadstar.com/images/ce/HIF-1993D+BT.pdf>

o eseguendo la scansione del seguente codice QR.

Por la presente, Roadstar Management SA declara que el equipo de radio tipo HIF-1993D+BT cumple con la Directiva 2014/53 / EU.

El texto completo de la declaración de conformidad UE está disponible en la siguiente dirección de Internet:

<http://roadstar.com/images/ce/HIF-1993D+BT.pdf>

o escaneando el siguiente código QR.

Wij, ondergetekende Roadstar Management SA, verklaren dat radioapparatuur van het type HIF-1993D+BT voldoet aan de vereisten van Richtlijn 2014/53 / EU.

De volledige tekst van deze EU-conformiteitsverklaring is beschikbaar op het volgende internetadres:

<http://roadstar.com/images/ce/HIF-1993D+BT.pdf>

of door de volgende QR-code te scannen.

Společnost Roadstar Management SA tímto prohlašuje, že rádiové zařízení typu HIF-1993D+BT je v souladu se směrnicí 2014/53 / EU.

Úplné znění prohlášení o shodě EU je k dispozici na této internetové adrese:

<http://roadstar.com/images/ce/HIF-1993D+BT.pdf>

nebo skenováním následujícího QR kódu.

Roadstar Management SA týmto vyhlasuje, že rádiové zariadenie typu HIF-1993D+BT je v súlade so smernicou 2014/53 / EÚ.

Úplné znenie vyhlásenia o zhode EÚ je k dispozícii na tejto internetovej adrese:


<http://roadstar.com/images/ce/HIF-1993D+BT.pdf>

alebo skenovaním nasledujúceho kódu QR.



MANUAL VER.: 2.1
19.06.2019

Roadstar Management SA, via Passeggiata 7 CH 6883 Novazzano (Switzerland)

 **Roadstar** is a registered Trademark of Roadstar S.A. - Switzerland. All rights reserved.