

Zoomax™ Capture Video Magnifier

User Manual



V1.1

Contents

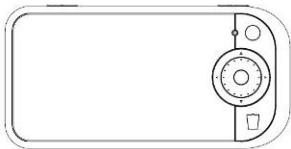
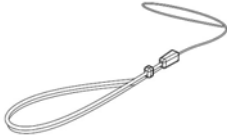




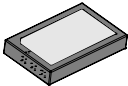
Description	3
Accessories	3
Compositions	4
Operation	5
Battery installation.....	5
Charging the battery	6
Install short strap	6
Turn on/off	7
Video magnifier mode	7
Adjust Magnification.....	7
Change display mode.....	8
Freeze	9
Writing stand	10
Turn on/off button beeps	10
Turn on/off camera light	10
Adjust brightness.....	11
Threshold value (or Font weight) adjustment	11
Connecting to a TV	12
Power saving function	12
Setting memory function	12
Replay mode.....	13
Basic information.....	13
Switch/Browse pictures	13
Lock/ Unlock.....	13
Delete.....	14
Full screen display	14
Troubleshooting	16
Safety	17
Specifications.....	18

Description

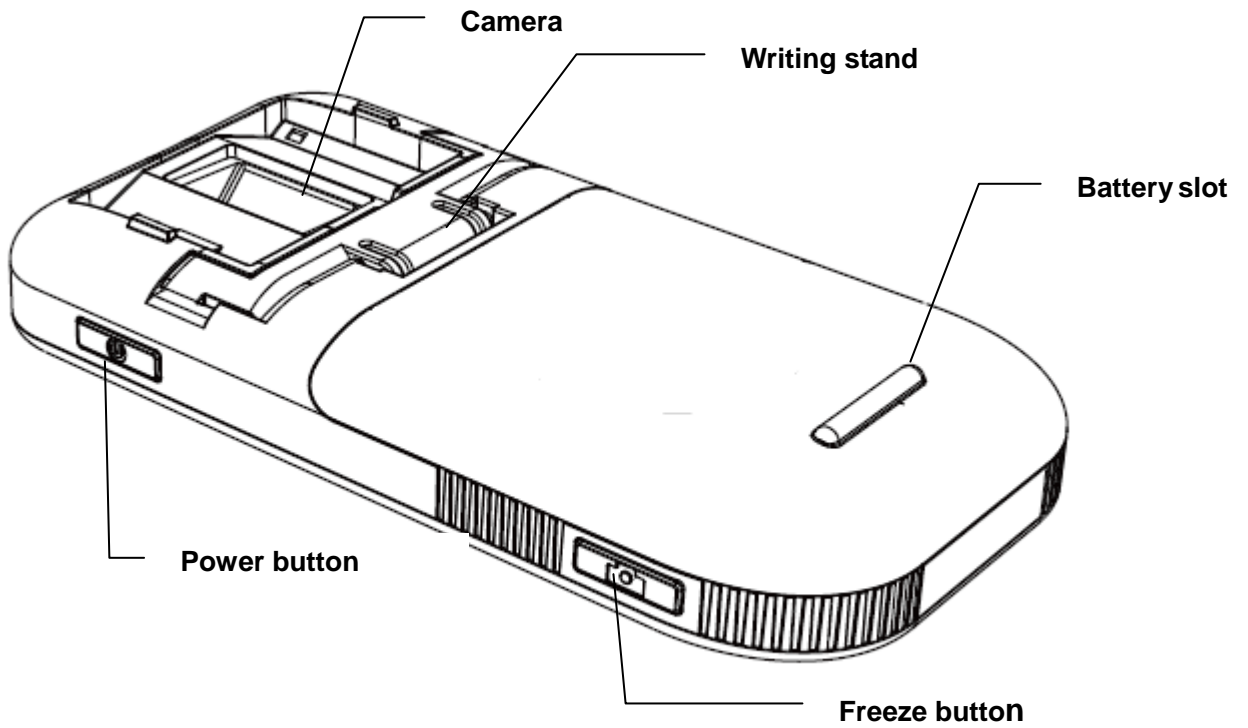
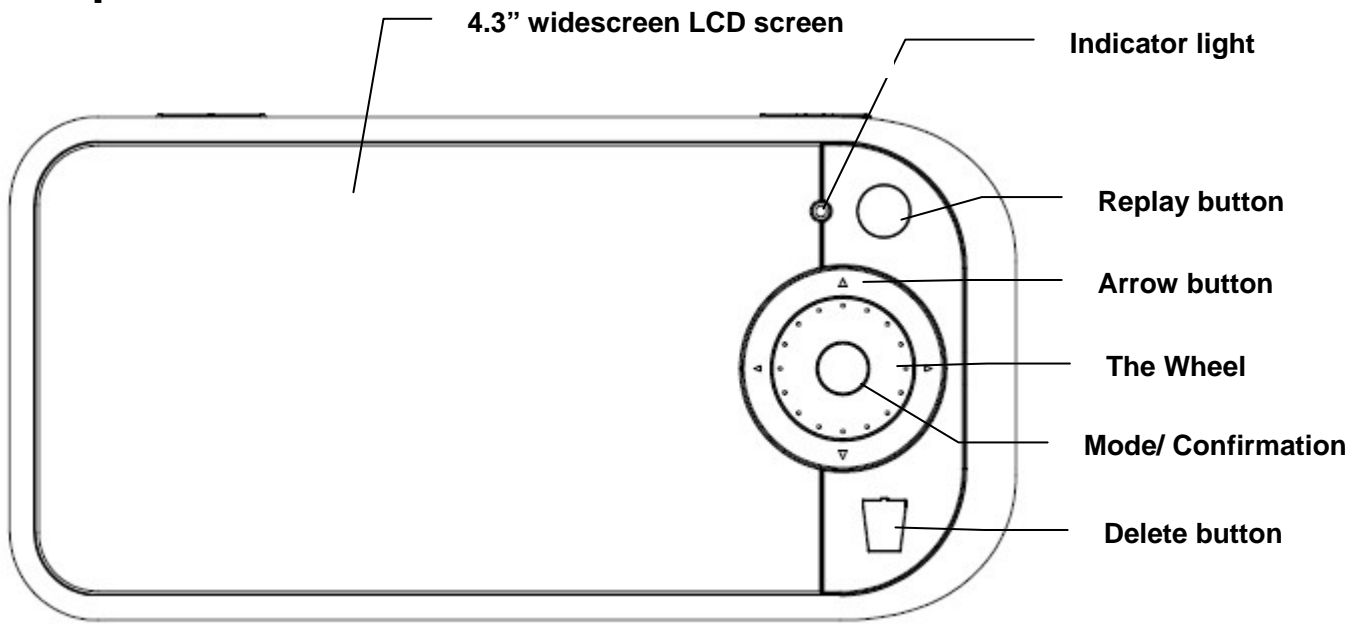
Zoomax™ Capture is a lightweight handheld electronic magnifier with a large 4.3" widescreen LCD display. It provides magnification from 2X up to 16X, 10 contrast modes, as well as the ability to capture and store image. Besides, it features modern design with power saving function.

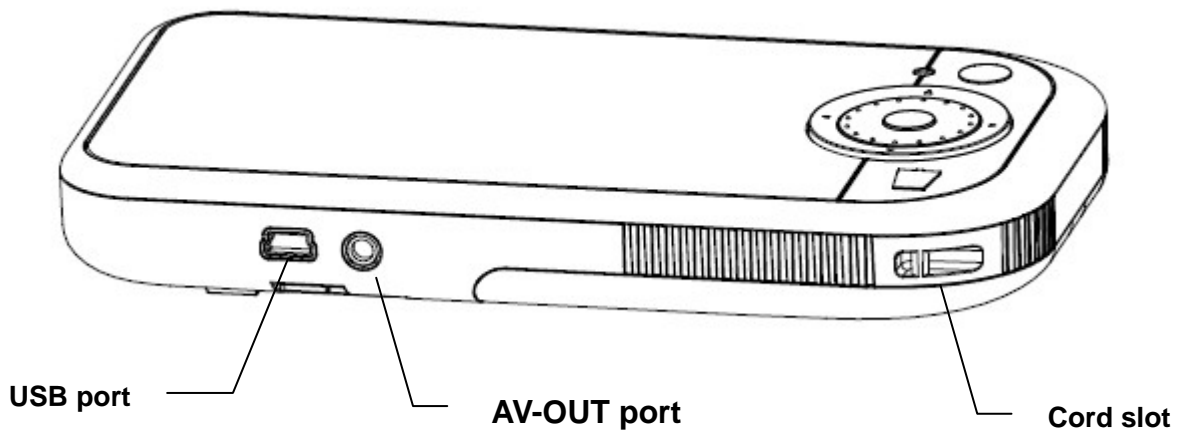
Accessories

Zoomax™ Capture package contains the followings :

 Video Magnifier	 Short strap	 User manual
 Video cable	 Protective case	 AC power adapter
 Rechargeable lithium battery		

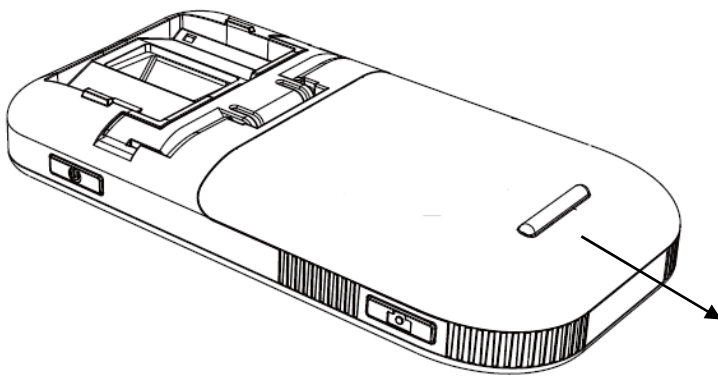
Compositions:





Operation

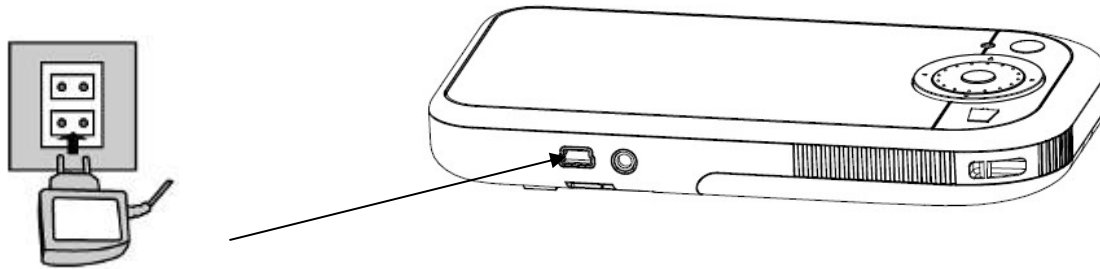
Battery installation




Install the battery as follows:

1. Turn the unit so that the back is facing up
2. Press and slide open the battery cover
3. Insert the battery
4. Place back the cover and slide it into the closed position

Charging the battery



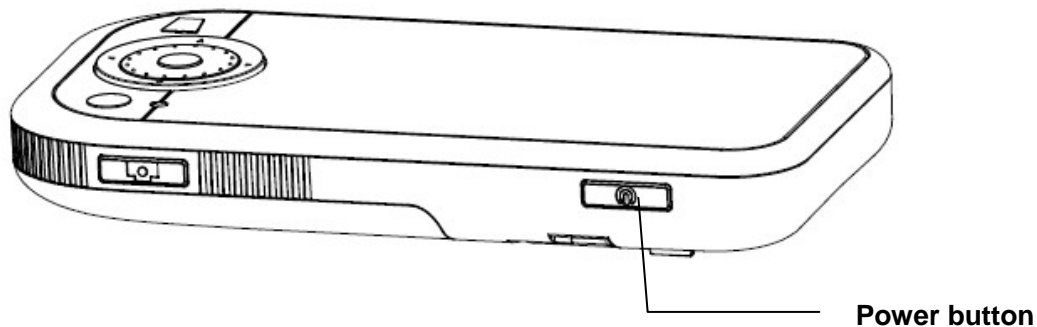
- The battery should be charged prior to using the Capture for the first time.
- Connect the power adapter to the unit USB port, and then insert the other end of the power adapter into power outlet. The power indicator will be red during charging.
- When the battery is fully charged, the LED indicator will turn off.
- During operation, if the battery indicator  on the screen has no bars and flashes, the battery is low, and you need to recharge it.
- Charging the battery takes about 4 hours, and a fully charged battery will last for approximately 3.5 hours. Please take an extra battery in case of usage emergency if you go far away.

Install Short strap



- Insert the small loop on the end of the strap into the pin in the cord slot as shown.
- Pull the other end of the strap through the loop and tighten as shown.

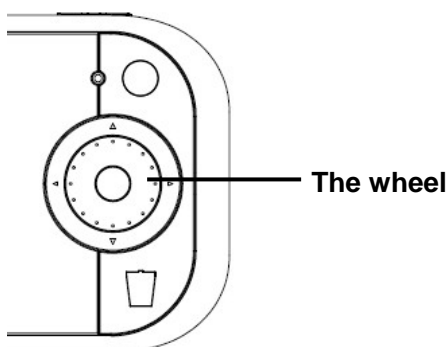
Turn on/off



- Press and hold the power button for 2 seconds to turn on (as shown in diagram), and the green power indicator will be on and the unit will enter into video magnifier mode directly.
- Press and hold the power button for 2 seconds to turn off the unit and the green indicator will be off at the same time.
- To save power, the unit will turn off automatically after 3 minutes of inactivity.

Video magnifier mode

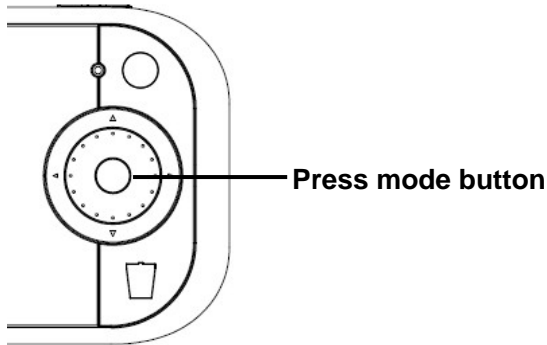
Adjust Magnification



- Rotate the Wheel clockwise to zoom in, and rotate it counterclockwise to zoom out.
Flat on paper: 3.6x to 16x magnification
Lift over material: 2x-10x magnification
Lifting the unit off the material will decrease the size of the viewed material. And you can get increased magnification of the viewed material if

you connect the unit to a TV screen.

Change display mode



There are 2 modes for selection:

1. Normal mode

Press the Mode button to cycle through the following modes:

- Full color mode
- Grey mode
- High contrast white text on black background
- High contrast black text on white background
- High contrast white text on blue background
- High contrast blue text on white background
- High contrast yellow text on black background
- High contrast black text on yellow background
- High contrast blue text on yellow background
- High contrast yellow text on blue background

2. Favorite mode

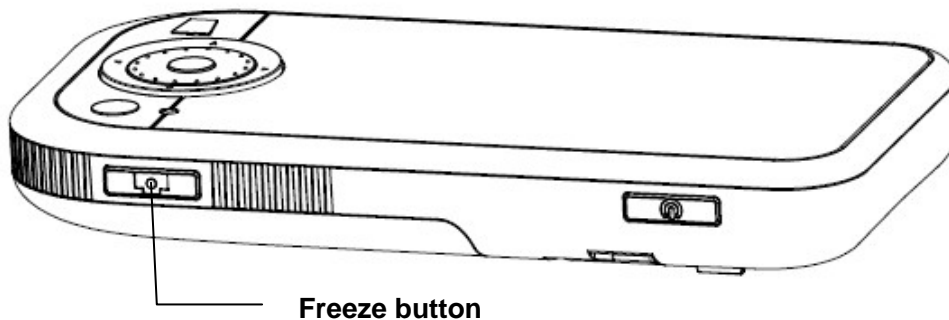
In favorite mode, press the mode button to cycle through 3 basic modes: full color, your favorite contrast color and the reverse (such as white on blue & blue on white). It's simpler in operation.

1) To enter into favorite mode, firstly choose your favorite contrast color in normal mode, then press and hold "mode" button for 2 seconds until the BEEP goes.

NOTE: If the unit enters into Favorite mode from full color mode or grey mode, then the switch would be among full color, white on black and black on white.

- 2) To exit, press and hold “mode” button for 2 seconds until the BEEP goes;
- 3) If you turn off the unit during Favorite mode, it will memorize the settings and enter into Favorite mode automatically at next power on.

Freeze



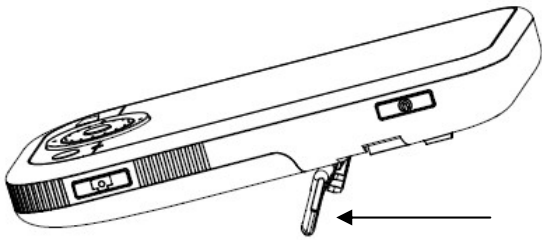
Use Freeze button to capture images and letters

- Put the unit over the object or material
- Press Freeze button
- Take the unit closer to have a carefully look at the object
- Press Freeze button again to release.

After pressing freeze button:

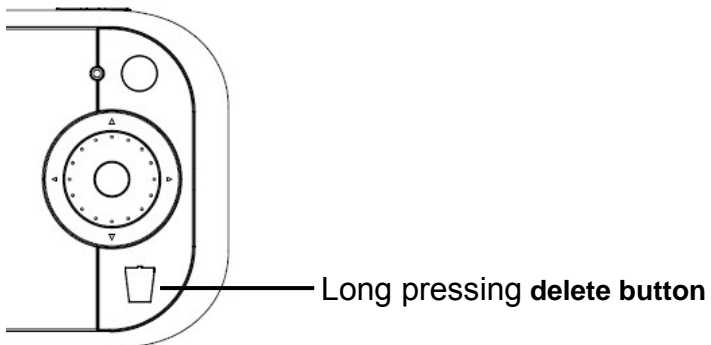
1. The system will save the picture after pressing freeze button, you can review it by “replay” button
2. Magnify or minify images by rotating the “wheel” clockwise or counterclockwise.
3. Switch contrast modes by Mode button
4. Press arrow buttons to move the pictures (there are icon of magnifying /minifying).When a yellow line appears on one edge of the screen, it means you have reached to the edge of the image and can't move further (when minifying icon disappears, it means the smallest picture, can't get minified further).

Writing stand



- Open the writing stand.
- Write underneath the right side of the camera.

Turn on/off button beeps

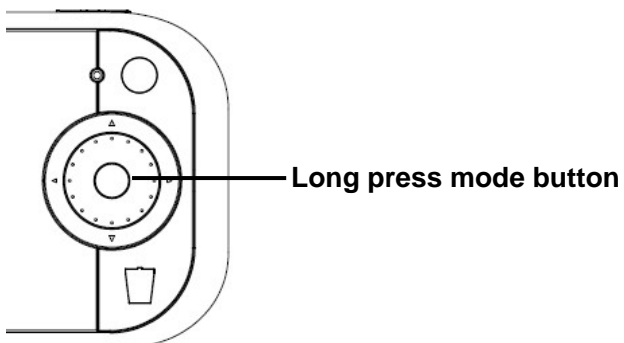


In default, the button sound is mute.

To turn it on, press and hold “delete” button for 3 seconds until BEEP goes twice.

To turn it off, press and hold “delete” button for 3 seconds until BEEP goes once.

Turn on/off camera light



The camera light is on in default.

To turn light off, press and hold “mode” button for 5 seconds until BEEP goes **TWICE** (keep holding if you just heard one beep).

To turn light ON, press and hold “mode” button for 5 seconds until BEEP goes **TWICE** (keep holding if you just heard one beep).

Adjust brightness

Long-press “Replay” button for 3 seconds to enter into brightness adjustment. A brightness bar shows, then press arrow key “UP” or “Right” to increase brightness and “Down” or “left” to decrease it. Press “Mode” to confirm the brightness and exit. Under this setting, if no key operation for over 5 seconds, it will exit automatically.

Threshold value (or Font weight) adjustment

When reading materials of different type of papers, font weight may need to be adjusted to get a better result. The operation is as follows:

1. Under “video magnifier mode” , press and hold left arrow button for 3 seconds to enter into the adjustment. A progress bar appears on screen.
2. By rotating the wheel clockwise or counterclockwise to get your preferred performance, then press “mode/confirmation” button to exit.

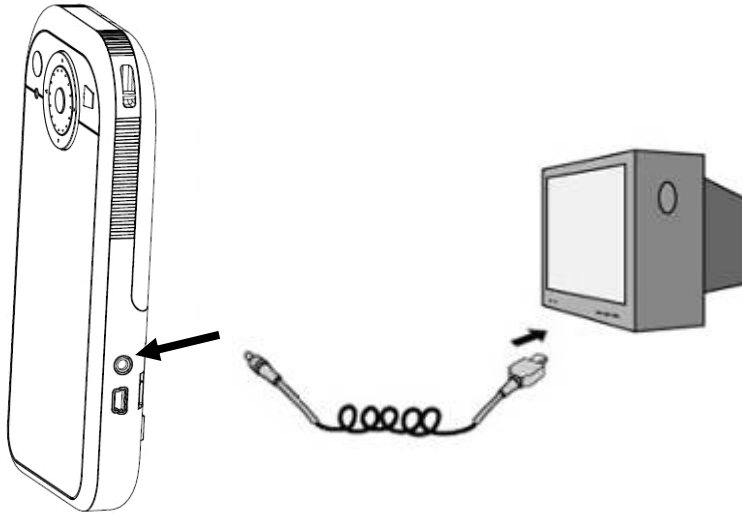
Note1: if no operation for over 5 seconds, the bar disappears and it exits automatically.

Note2: the value is not the higher the better. Shadow around the screen increases as the value goes high. So set the value at an appropriate level.

Note3: adjustment will be saved. At the next power on, it adopts the previous settings automatically.

Connecting to a TV

Plug the AV cable packaged with the unit to your TV video input.



- After connection completed, the LCD screen will turn off automatically.
- To select the appropriate TV standard, press and hold the Freeze button for 3 seconds.
- Use “▲”/“▼” to choose PAL or NTSC, then press the mode button to confirm your selection. If all correct, the image shall be shown on TV.
- Once your selection confirmed, it will become the default TV standard of the unit next time. No need to set it again.
- After unplugging the AV cable, the unit will automatically return to LCD screen of the unit without any other operation.

Power saving function

- (1) Under magnifier mode, the unit will turn off automatically if no operation for over 3 minutes.
- (2) When charging (connect to power supply through power adapter), it will switch to outside power supply automatically while charging the battery at the same time.

Setting memory function

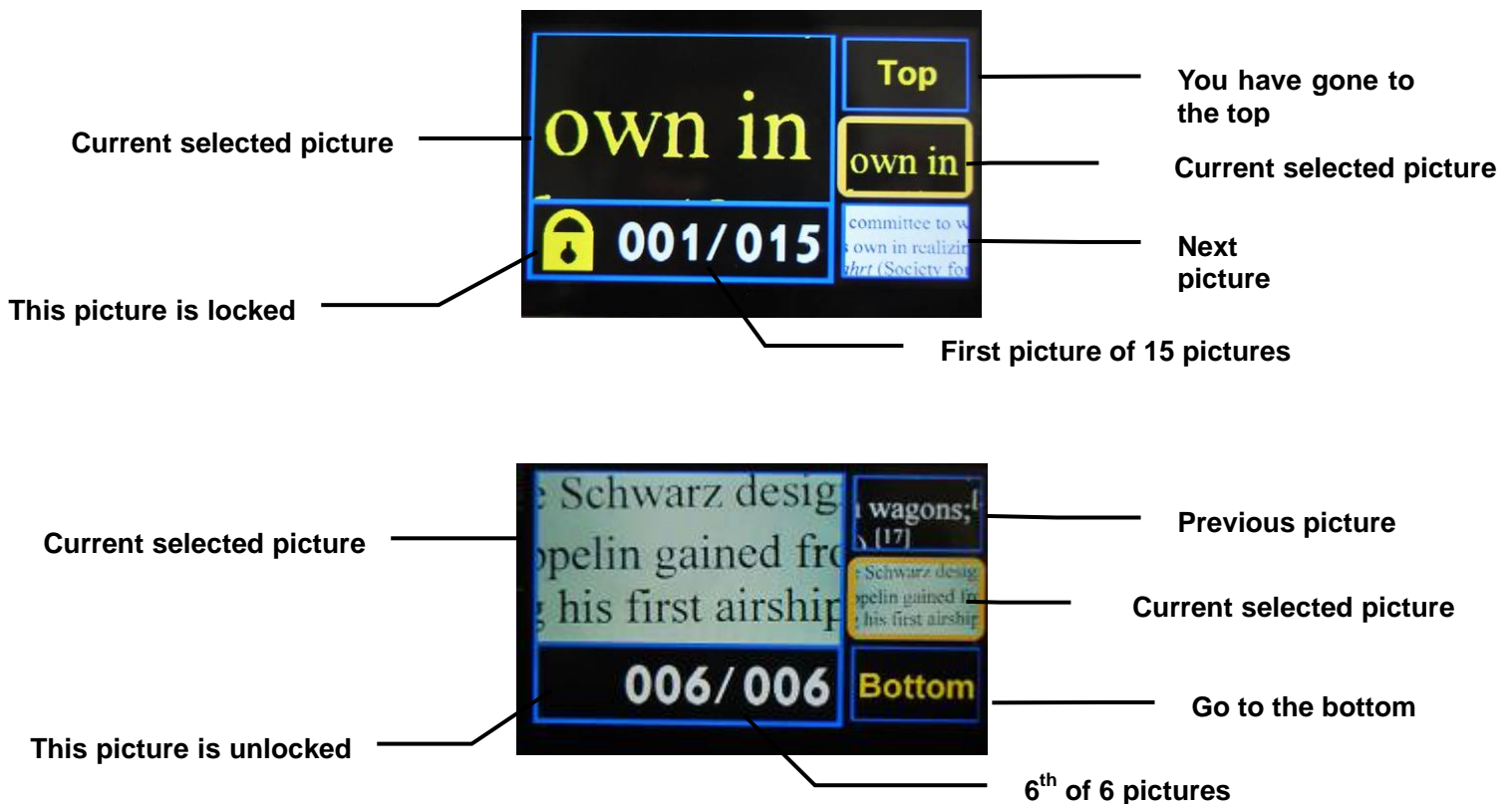
The unit will memorize automatically the most recent settings (e.g. color mode, magnification, video output format, button beeps, brightness, and threshold) and use them in the next power on.

Replay mode

Press Replay button to enter into replay mode. Three pictures will appear on the screen, press Replay button again to return to video magnifier mode.

At most 100 pictures can be saved. The system will delete automatically the oldest unlocked picture when saved pictures number is over 100.

Basic information



Switch/Browse pictures

Press ▲/▼ button to switch between pictures. i.e. to review previous one or next one.

Tips: to quicken the browsing, press ◀/▶ button to switch screen, should your desired picture is not shown on present screen display.

Lock/ Unlock

Press Freeze to lock/unlock pictures. 90 pictures can be locked. Locked pictures can't be deleted, which is very helpful in picture organization.

Locked pictures will be moved to the front position of all pictures automatically. So the picture sequence will change if you perform this operation. For example,

To lock one picture, it will move to the front position or behind the last locked picture.

To unlock one picture, it will move to the position behind the last locked picture and the first unlocked one.

Delete

“Press Again To Delete” will appear after pressing “delete” button, and press Delete button again to delete or press other buttons to neglect this operation.

Full screen display

Select one picture and press confirmation button, it will display in full screen.

1. Zoom in/Zoom out

Zoom in/out through the Wheel, you can't zoom in/out further if the picture is already the largest.



A magnifying or minifying icon will appear on right lower corner after you zoom in your picture.

2. Moving

Press ▲/▼ and ◀/▶ button to move the magnifying pictures. And a yellow line will appear on screen if you have already move to the edges of the picture, and you can't move further at this time.

3. Switch modes

Press confirmation button to switch modes. 10 modes are available.

4. Switch pictures

Press ▲/▼ button to switch between each pictures, press ◀/▶ button to switch screen.

NOTE: You can't switch/browse pictures unless zooming in/out icon disappears.

5. Lock/Unlock

Press Freeze button to lock the pictures and unlock the locked ones.

6. Delete

"Press Again To Delete" will appear after pressing "delete" button, and press Delete button again to delete or press other buttons to neglect this operation.

7. Return

Press Replay button to return to three-picture screen.

Troubleshooting

Problems	Solutions
Black screen	<p>Ensure that the power is on.</p> <ul style="list-style-type: none"> ● Change the battery. ● Reduce the magnification level. ● Ensure the image is below the crosshair.
The unit will not turn on.	<ul style="list-style-type: none"> ● Change the battery.
The image on the screen is dark or distorted.	<ul style="list-style-type: none"> ● Ensure the Video Magnifier is flat on the page.
Power adapter is connected but the battery is not charging.	<ul style="list-style-type: none"> ● Ensure the outlet has power and the plug is fully inserted in the power jack.
Smudges or blemishes on the screen.	<ul style="list-style-type: none"> ● Clean camera and screen with soft cloth.
Text is too small to read.	<p>Adjust the magnification up to suitable level.</p> <ul style="list-style-type: none"> ● Connect to a TV with the supplied cable.
Text is too large to read.	<ul style="list-style-type: none"> ● Adjust the magnification down to suitable level. ● Lift the unit to decrease the image size.
The unit is connected to a TV, but no image appears on the TV screen.	<ul style="list-style-type: none"> ● Ensure the TV is on. ● Check the line is proper and output and connection correctly to TV.
The screen is frozen or distorted or any other problem not mentioned in this manual.	<p>Restart the unit.</p> <ul style="list-style-type: none"> ● Remove and replace battery.

If your problem is not listed above, please contact your local distributor.

Safety

To keep your video magnifier in a good condition, please read the following safety instructions carefully:

- Do not expose your video magnifier to excessive heat or direct sunlight to avoid the risk of fire.
- Keep your video magnifier away from wet areas, rain, fluids and chemicals.
- Do not use your video magnifier inadequately shielded medical devices.
- Always use your video magnifier in an environment where the temperature is between 10°C and 40°C (50 and 104F).
- Do not attempt to repair your video magnifier or open its case. This will void the warranty. Contact your distributor to service this equipment.
- Always unplug your unit before cleaning. Use only a damp, soft, lint-free cloth. Do not use alcohol solvents or other cleaning agents.
- Use only the supplied power adapter to charge the battery as other adapters may damage the unit.

Specifications

1. Magnification: 2x to 16x (optical and digital)
2. Picture storage: up to 100 pictures.
3. Display modes: ten modes (full color, gray, high contrast white on black, high contrast black on white, high contrast white on blue, high contrast blue on white, high contrast yellow on black, high contrast black on yellow, high contrast blue on yellow, high contrast yellow on blue)
4. Focus: Auto focus
5. Screen: 4.3" (109mm) widescreen TFT
6. TV output: PAL/NTSC
7. Power saving mode: the unit will turn off automatically after inactivity for 3 minutes
8. Battery: rechargeable lithium battery
3.5 hours continuous use
9. Battery level indicator: Positive
10. Power adapter: input: 110—240V, output: 5V/1A
11. Charging time: 4 hours
12. Weight: 5.75 ounce (without battery)
13. Accessories: user manual, rechargeable lithium battery, AC power adapter, short strap, protective case, video output cable
14. Operation and storage conditions:
Humidity < 70%
Temperature: 10-40°C