

CLOVER

Assist Stand

User Guide

Rev A

Contents

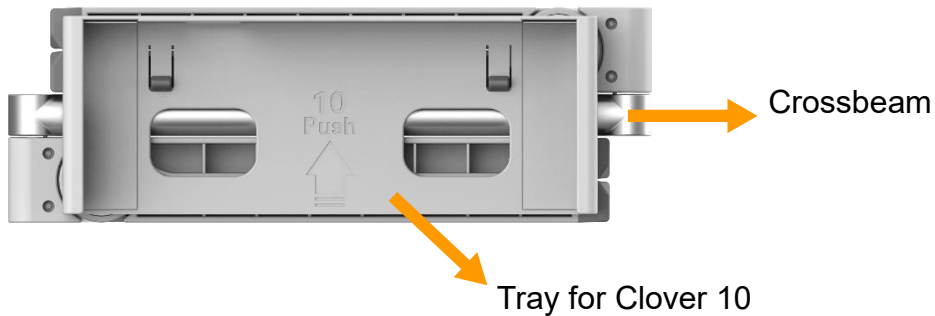
Overview	1
Compositions	2
Operation	5
Unfold procedure	5
Use Case	8
Fold procedure	23
Specifications	27

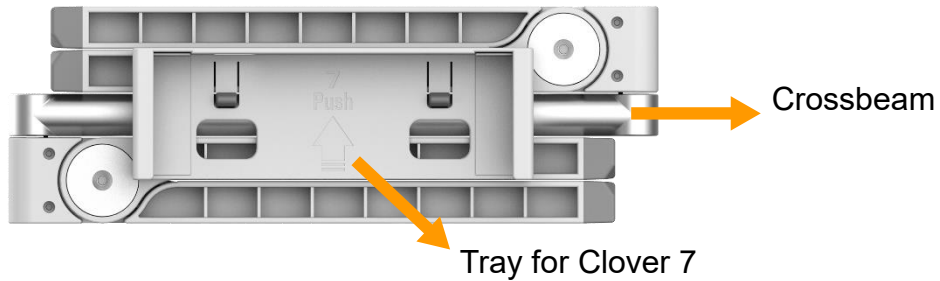
Overview

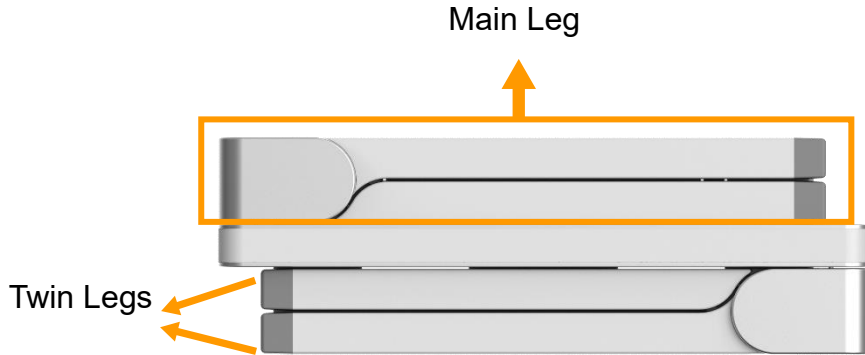
Clover Assist Stand is elaborately designed for the Clover 10/7S to make reading/handwriting easier for visual impaired people.

The stand is extremely compact and lightweight, and the operation is also very simple and intuitive. Enjoy hand-free reading and handwriting with a sufficient space.

Compositions



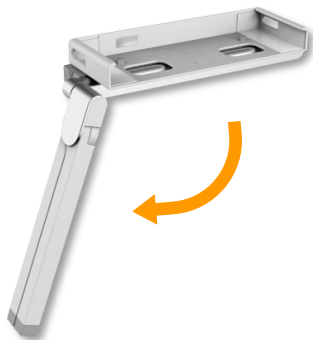




Operation

Unfold procedure

- Step 1: Separate the main legs apart



- ❑ Step 2: Split the twin legs to form the V shape



- ❑ Step 3: Slide the device into the slot of tray



Use Case

The stand is multifunctional to assist:

- Reading
- Handwriting
- Far view
- Mirror view


The operations may be varied based on different use cases. The followings are our recommended operations.




❑ Case 1: Reading Mode

- Adjust your comfortable reading angle.



With the built-in stand of the device closed, the device is actually in the far view mode, the LED lights are off by default. However, for reading mode, we recommend to enter the reading/handwriting mode with both lights on for a better experience.

- Enter the reading/handwriting mode by using one of the following device button operation:
 - a) Press and hold the Focus Control button  for 3 seconds

- b) Press and hold the color mode button  and the True Color button  at the same time for 3 seconds (For old device without the Focus Control button )

In this mode, the LED lights will be turned on and the lights are all on the highest illumination.

Notice: For old devices with old Firmware, there may be no reading/handwriting mode. You can also press and hold the

Power button  and click the Freeze button  to turn on lights for a better reading experience.



❑ Case 2: Handwriting Mode

The following operations are the same as the reading mode described above:

- Adjust your comfortable reading angle
- Enter the reading/handwriting mode

There are four light statuses which can be applied to help the handwriting.



Lights all off







Lights all on




Left light on, Right light off



Left light off, Right light on





- Press and hold the Power button  and click the Freeze button  to turn on/off the two LED lights simultaneously (The operation is compatible for all firmware version)
- Press and hold the Power button  and press the Focus Control button  to switch from three light statuses: Left light on, Right light on and All lights on/off (based on the latest setting).



- Shadow reducing when handwriting
For the new device with AF-button  , the lights can be controlled separately to reduce the shadow when writing. For example, if you are left-handed, turn off the left LED light. If you are right-handed, you can turn off the right LED light to reduce the shadow.

Notice: The Left/Right light individual control and the shadow reducing feature are only available for new device with the AF-button



❑ Case 3: Far View

- If the device is in the reading/writing mode, it is recommended to exit the mode first.
 - a) Press and hold the Focus Control button  for 3 seconds
 - b) Press and hold the color mode button  and the True Color button  at the same time for 3 seconds (For old device without the Focus Control button )

Notice: For old devices with old Firmware, there may be no reading/handwriting mode. You can also press and hold the Power button  and click the Freeze button  to turn off lights.

- Adjust the viewing angle as the picture shows
- Rotate the device around and face the back camera to the object which you want to view



❑ Case 4: Mirror View

The following operations are the same as the far view mode described above

- If you are in the reading/writing mode, exit first
- Adjust the angle
- Rotate the device around and face the front camera to the object which you want to view

- Turn the Camera Switch  → right to open the front camera for Mirror View.



Fold procedure

The folding procedure is as simple as unfolding.

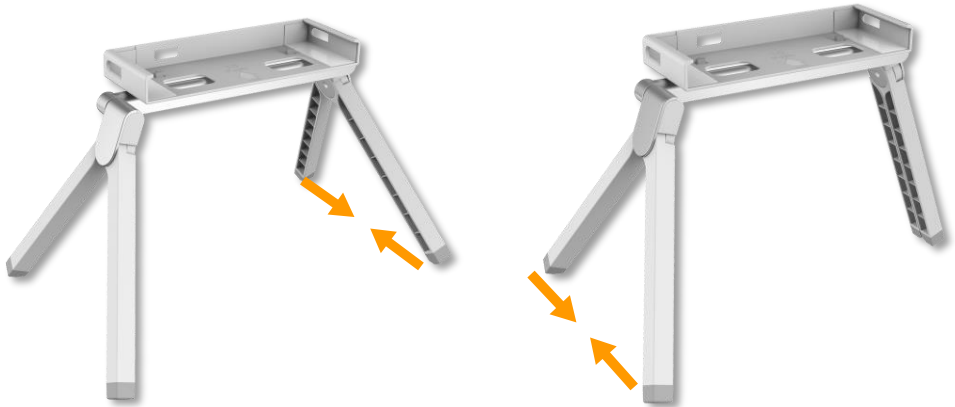
❑ Step 1



□ Step 2



□ Step 3



□ Step 4



Specifications

- Dimension: $\leq 305 \times 102 \times 53$ mm
- Weight: < 560 grams
- Adjust angle:
 - 0-30° in the reading/handwriting mode
 - 0-90° in the far view/mirror view mode