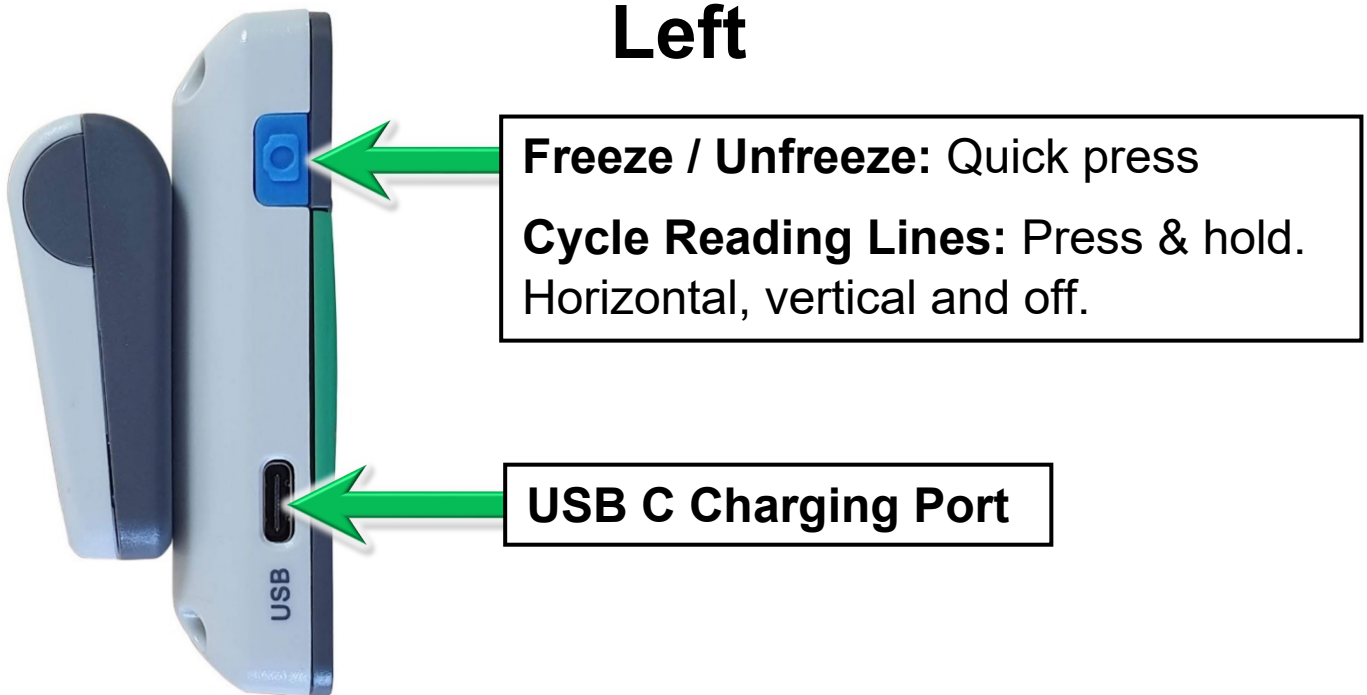


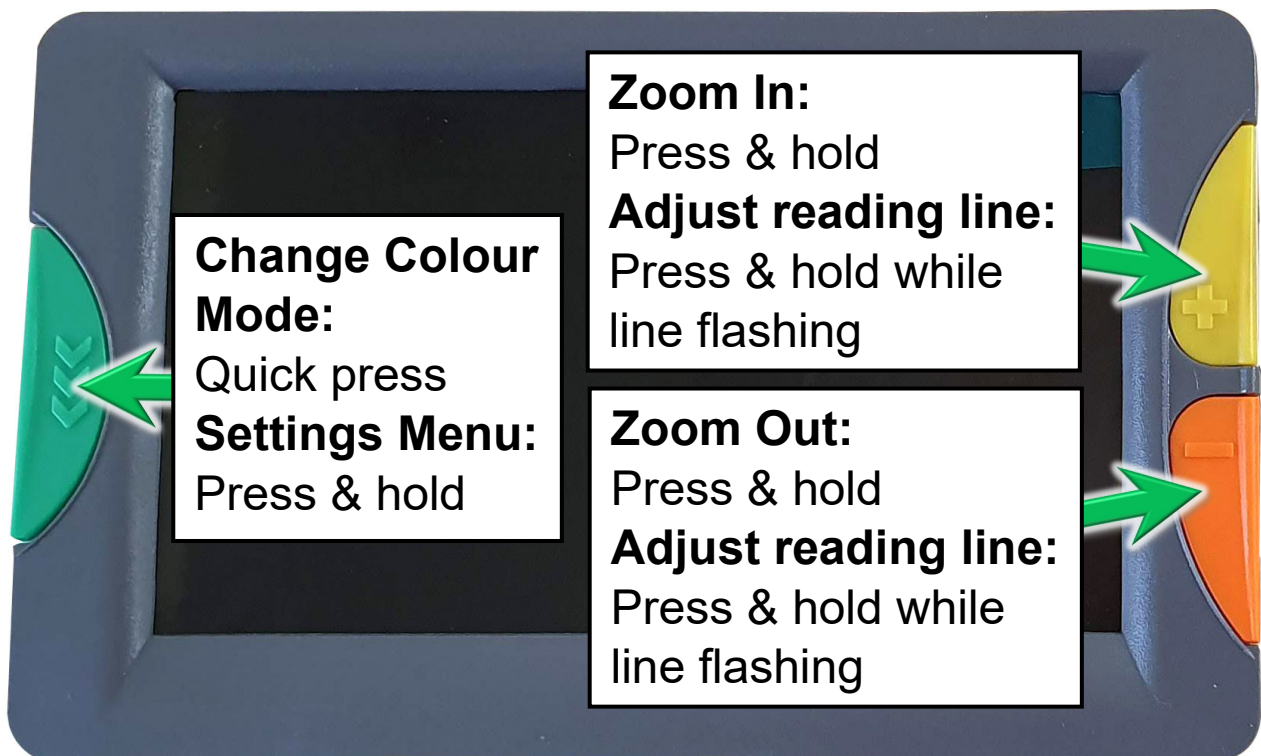
# Eye-D v2 Quick Reference Guide

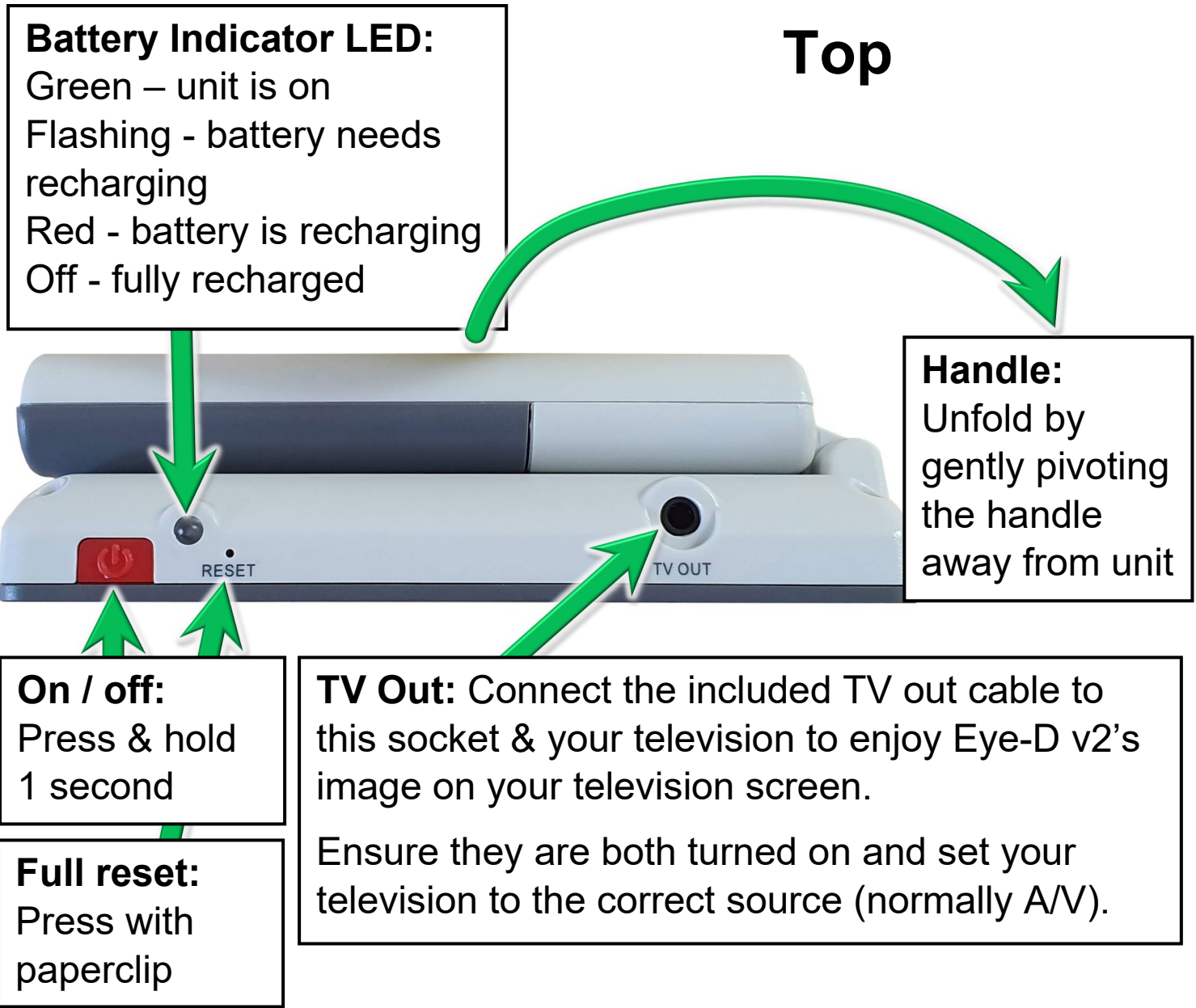
Revision B

## Left



## Front





**Battery Indicator LED:**  
Green – unit is on  
Flashing - battery needs recharging  
Red - battery is recharging  
Off - fully recharged

**Top**

**Handle:**  
Unfold by gently pivoting the handle away from unit

**On / off:**  
Press & hold 1 second

**Full reset:**  
Press with paperclip

**TV Out:** Connect the included TV out cable to this socket & your television to enjoy Eye-D v2's image on your television screen.  
Ensure they are both turned on and set your television to the correct source (normally A/V).

---

## Settings Menu

Access by pressing & holding the Change Colour Mode button.  
When in Settings menu, quick press to cycle through options: screen brightness, LED brightness, volume, date / time, enabled colour modes, battery and firmware version.  
Depending on the currently selected option, press the zoom in and out buttons or the freeze button to change it.