

SA1620M-10MP 4/3" 16mm 10MP FA LENS

FA series Lens are optimized for machine vision light sources and sensors, with high resolution, excellent image uniformity, high transmittance and good stability. Featured with fixed focal length, manual aperture and compact size, it is suitable for machine vision industry applications.



Key Features

- High resolution and excellent image uniformity
- F2.0, Maximum image circle of 4/3"
- Low distortion to improve measurement accuracy
- High peripheral brightness ratio to ensure image brightness consistency

Order Model

SA1620M-10MP

Specification

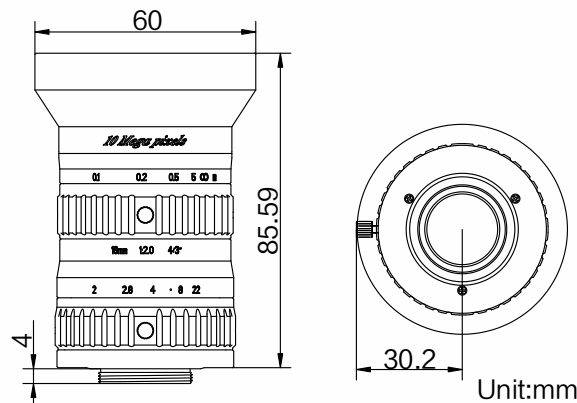
Model		SA1620M-10MP	
Parameter		Fixed focal length, Manual iris, 10MP, FA Lens	
Focal Length		16mm	Mount C-Mount
F-Number		F2.0~F22	Flange Back Length 17.526mm
Image Size		Φ23mm(4/3")	Filter Thread M58×0.75
Optical Distortion		-2.81%	Minimum Operation Distance 0.1m
Control	Iris	Manual	Dimension Φ60×85.59mm
	Focus	Manual	
Operating Temperature		-10~50°C	Weight 340g
Angle of View		4/3"	D (22.5mm) 72.9°
			H (18mm) 60.9°
			V (13.5mm) 47.3°



Field of View

Extension (mm)	Working Distance (mm)		Magnification	Field of View (mm)					
				4/3"		1.1"		2/3"	
				H=18.13 (mm)	V=13.6 (mm)	H=14.14 (mm)	V=10.35 (mm)	H=8.45 (mm)	V=7.07 (mm)
5	near	13.17	-0.445	40.79	30.60	31.81	23.28	19.01	15.91
	far	27.66	-0.313	57.99	43.50	45.22	33.10	27.03	22.61
2	near	39.43	-0.257	70.54	52.92	55.02	40.27	32.88	27.51
	far	104.33	-0.125	144.85	108.66	112.98	82.69	67.51	56.49
1	near	59.43	-0.195	93.21	69.92	72.70	53.21	43.44	36.35
	far	231.84	-0.063	289.34	217.04	225.66	165.18	134.85	112.83
0		100	-0.128	147.23	108.66	113.17	81.90	66.56	55.53
		150	-0.092	205.40	151.92	158.20	114.63	93.19	77.77
		200	-0.071	263.46	195.12	203.17	147.31	119.80	99.99
		250	-0.058	321.48	238.30	248.10	179.98	146.39	122.19
		300	-0.049	379.46	281.45	293.01	212.64	172.97	144.39
		350	-0.043	437.43	324.60	337.91	245.29	199.55	166.59
		400	-0.038	495.39	367.74	382.81	277.93	226.12	188.78
		450	-0.034	553.34	410.88	427.70	310.57	252.69	210.97
		500	-0.031	611.28	454.01	472.59	343.21	279.26	233.16
		550	-0.028	669.23	497.14	517.48	379.85	305.83	255.34
		600	-0.026	727.17	540.27	562.36	408.49	332.40	277.53
		650	-0.024	785.10	583.40	607.25	441.13	358.96	299.72
		700	-0.022	843.04	626.52	652.13	473.62	385.53	321.90
		750	-0.021	900.97	669.65	697.01	506.40	412.10	344.09
		800	-0.019	958.90	712.77	741.89	539.03	438.66	366.28
		850	-0.018	1016.83	755.90	786.57	571.67	465.23	388.46
		900	-0.017	1074.76	799.02	831.65	604.30	491.79	410.65
	950	-0.016	1132.69	842.14	876.53	636.94	518.36	432.83	
	1000	-0.016	1190.62	885.27	921.41	669.57	544.92	455.02	

Dimension



SCORPION
VISION LIMITED

www.scorpionvision.co.uk +44 (0)1590 679333
sales@scorpion.vision