

MV-ID3004M

0.4 MP 1/2.9" Smart Code Reader



Introduction

MV-ID3004M smart code reader adopts Hikvision's deep learning algorithm and can recognize and read different types of barcodes. It has good robustness and its max. process frame rate reaches 50 fps. It is widely applicable to consumer electronics, food and beverage, pharmaceutical, semiconductor, automobile, etc.

Key Feature

- Adopts CMOS sensor to acquire image data and provide high-quality image
- Adopts built-in deep learning algorithm to read barcodes with good robustness
- Adopts IO interface for multiple input and output signals

- Adopts ON/NG, PWR, STS and LNK indicators for displaying different statuses
- Supports multiple communication protocols, including TCP/IP, Serial, and FTP

Available Model

Smart code reader with 6 mm focal length:
MV-ID3004M-06S-WBN

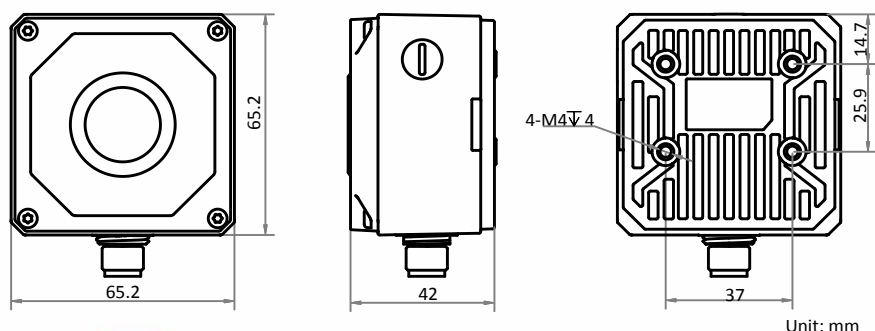
Smart code reader with 12.4 mm focal length:
MV-ID3004M-12S-WBN

Smart code reader with 14.8 mm focal length:
MV-ID3004M-15S-WBN

Applicable Industry

Consumer electronics, food and beverage, pharmaceutical, semiconductor, automobile, etc.

Dimension



Unit: mm



Specification

Model	MV-ID3004M-06S-WBN	MV-ID3004M-12S-WBN	MV-ID3004M-15S-WBN
Performance			
Barcode type	1-dimensional code: Code 128, Code 39 2-dimensional code:, QR, DM		
Max. frame rate	50 fps @704 × 512		
Max. reading speed	60 codes/s		
Sensor type	CMOS, global shutter		
Pixel size	6.9 μm x 6.9 μm		
Sensor size	1/2.9"		
Resolution	704 × 512		
Exposure time	16 μs to 1 s		
Gain	0 dB to 15 dB		
Mono/color	Mono		
Communication protocol	TCP/IP, Serial, FTP		
SDK	SmartSDK		
Electrical features			
Interface	17-pin M12 interface provides power, Ethernet, digital IO, and serial port		
Ethernet	Fast Ethernet		
Digital IO	Non-isolated input x 3 (LineIn 0/1/2), non-isolated output x 3 (LineOut 0/1/2), RS-232 x 1. Device trigger via pressing button on top supported.		
Power supply	12 VDC to 24 VDC		
Power consumption	< 19.8 W@24 VDC (max. instantaneous power consumption)		
Structure			
Lens focal length	6 mm (0.2")	12.4 mm (0.5")	14.8 mm (0.6")
Lens mount	M12-mount, manual focus supported		
Lens cap	Transparent lens cap. Polarization lens cap supported		
Light source	Spotlight white light. Spotlight red or blue, wide-angle white or blue light supported		
Indicator	Power indicator (PWR), network indicator (LNK), status indicator (STS), result indicator (OK/NG)		
Dimension	65.2 mm x 65.2 mm x 42 mm (2.6" x 2.6" x 1.7")		
Weight	Approx. 240 g (0.5 lb.)		
Ingress protection	IP67 (under proper installation of lens waterproof cap)		
Temperature	Working temperature: 0 °C to 50 °C (32 °F to 122 °F) Storage temperature: -30 °C to 70 °C (-22 °F to 158 °F)		
Humidity	20% to 95% RH, without condensation		
General			
Client software	IDMVS		



SCORPION
VISION LIMITED

www.scorpionvision.co.uk +44 (0)1590 67933
sales@scorpionvision.co.uk