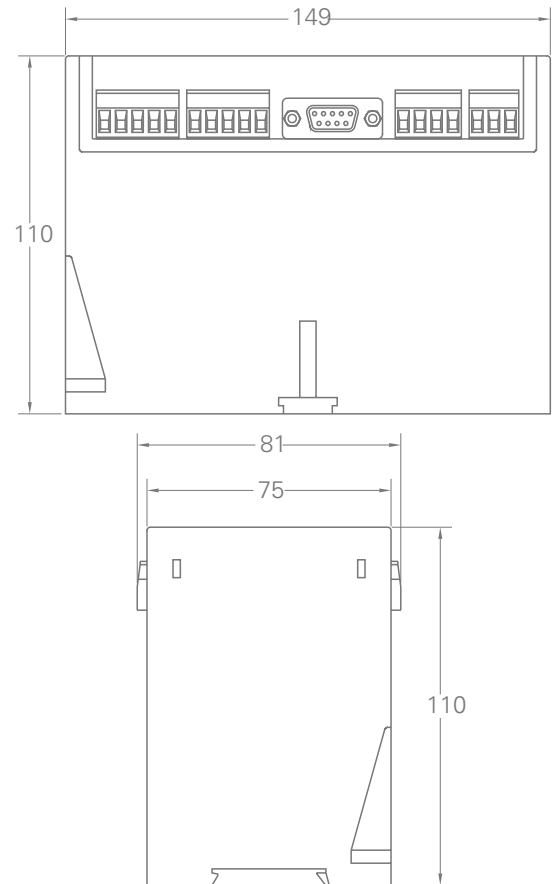


Electronic Load Limiter ALM-100



airpes®



General information:

The ALM-100 model of electronic load limiter has been designed to control the overload, the slack cable and other desired points in devices of elevation like cranes, overhead travelling cranes, hoists, elevators, etc. It can control up to two elevation devices realising the sum of both.

It can be connected on any kind of weight pickup sited in: fixed spur, turn pulley, carrier, cable, etc.

Characteristics:

- 2 weight entries
- Entry of external tare
- Load limiter per zone
- 6 programmable limits
- Ascendent and descendent delays can be configured
- Visualisation through LCD display of 6 digits 0.5"
- 5 keys for the programming and configuration of the system
- Configurable parameters for software
- Updating of software through portable
- RS-232-C bidirectional connection
- 5 relay outputs (6A 250V) and 3 inputs (24...220V AC or DC)
- Universal feeding 110V...220V AC (optionally 48V AC)
- Optional multipoint alignment for cells or non linea applications
- Introduction through security code (optional)
- Bi-directional RS-422 or 485 connection (optional)
- Hardware filter for weighing (optional)
- Output voltage 0...5V or 0...10V (optional)
- Output current 0...20mA or 4...20mA (optional)
- Output weight repeater for panel of push buttons by cable (optional)
- Output for giant display (optional)
- 5th optional output for special applications
- Foreseen for amplification to black case (optional)
- Temperature -10°C - 50°C; Humidity 15% - 85%