

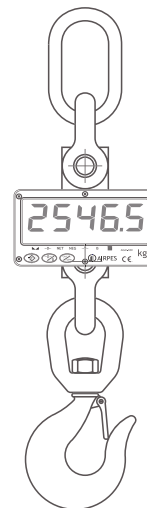
# Electronic Crane Scale AGM-180



airpes®



Printer



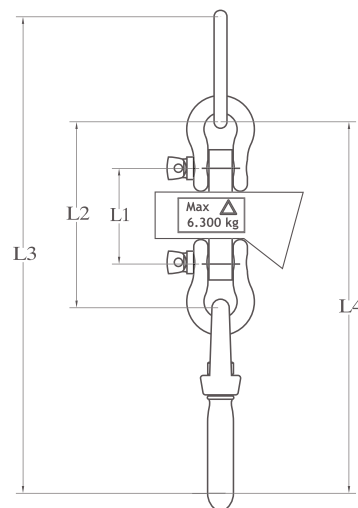
Charger



Infrared telecommander



Battery



## General information

The electronic crane scale AGM-180 has been designed to be hung up from the hook of the overhead travelling crane, arm crane, crane vehicle, tower crane, etc. from which it is going to work. It is an appropriate device for the control of entering and leaving of products, control of storage, stock control, etc.

The AGM-180 has different options, like the incorporation of an infrared command, 24 h battery service, protection for works in foundries with high temperatures, RS-232-VC output, RS-485 output, printer, indicator of maximum peak, etc.

## Characteristics

Digits: 5 LED 1,8"

Work temperature: -20°C +60°C

Functions: On/Off, Zero, Tare Sum, Total and Erase (through tele-commander)

Protection: IP 55 (optional IP 65)

Feeding: 8,4V DC

Accuracy: +- 0,1%

Capacity (Kg)	Step (Kg)	Dimensions (mm)				Total weight (Kg)	
		L1	L2	L3	L4	Sin acc.	Con acc.
500	0,2	134	244	504	379	3,5	5,2
1000	0,5	134	244	549	399	3,5	6,2
2000	1	134	244	549	399	3,5	6,2
3200	1	146	336	706	526	4,5	8,2
5000	2	160	350	720	540	5,9	10,5
6300	2	160	350	720	594	5,9	16,5
10000	5	174	449	949	724	7,2	24
12000	5	205	449	1027	773	14	33,4
16000	10	209	508	1168	863	17	49,2
25000	10	240	605	1434	1085	24	82,8
35000	20	270	676	1608	1202	31	117,7