

Product Description

The Aspre is a slim, stylish LED exit sign offering long life, low energy. Featuring a unique method of fitting legend 'screens' onto the double-sided, acrylic blades with adjustable mounting brackets. The Aspre is available with all common legend designs and is supplied with "same type" pairs. The Aspre offers maintained operation as standard providing 3 hour duration.

Features

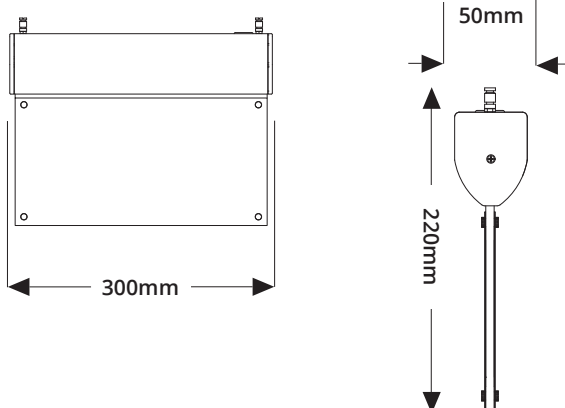
- 28 metre viewing distance
- Double sided illuminated legend
- Modern aluminium housing
- Comes with integral maintained emergency control gear
- 15 high brightness LED's
- Maintained 3 hr
- Height adjustable

Order Codes - Aspre

Options	Description
/M3	Maintained - emergency
/NM3	Non - maintained emergency
/DA3	DALI emergency
/DAST	DALI Self-Test
/ST	Self-Test
/AR	Arrow right ISO
/AL	Arrow left ISO
/AU	Arrow up ISO
/AD	Arrow down ISO
/CBRK	Ceiling mount bracket
/WBRK	Wall mounting bracket
/EBRK	End fixing wall mounting bracket
/WIRE	Wire suspension kit (1 metre max)
/SL	Silver finish
/WH	White finish



Technical Drawings



Technical Specification

Supply Voltage	230-240V AC 50/60Hz
Light Source	15x Wide angle LED's
Colour Temperature	4500k
Colour Rendering	N/A
Ambient Temperature	0°C +25°C
Life Time	50,000 Hours



Please note: Specification values may change due to rapid development of lighting technology. All performance data is taken at an ambient temperature of +25°C. Data may be rounded up/down for illustrative purposes. Tolerance range of optical and electrical data is +/-10%. We reserve the right to amend or change details without prior notification. E&OE.