

Ultra-Slim Universal Flat Screen Wall Mount

For more information please visit www.btechavmounts.com/BT8210-PRO

BT8210-PRO

Registered Design Number: 001713280-0038



BT8210-PRO

Ultra-Slim Universal Flat Screen Wall Mount

**Designed for flat screens
up to 55" (139cm) / 50kg (110lbs)**

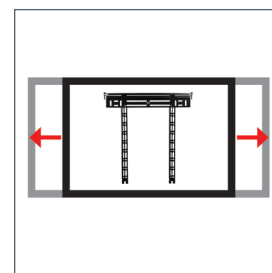
- Fits screens with mounting patterns up to: H: 440mm (17.4") x V: 400mm (15.7") including VESA® fixings up to 400 x 400mm
- Ultra-slim design mounts screen only 14mm (0.6") from wall
- Features 'OWLS™' On Wall Levelling System
- Suitable for concrete / brick or up to 16" stud walls
- Security locking screws, Allen key and locking bar provided for secure installation
- Universal screen fixing kit supplied, including M4, M5, M6 and M8 screws
- Simple 'hook-on' installation with all mounting hardware included
- Brown boxed packaging designed to help cut costs for the professional installer. Retail boxed product also available as the BT8210
- Available in Black



Ultra-slim design for close to the wall installation



Features Torsion Lock™ security



Post installation screen alignment



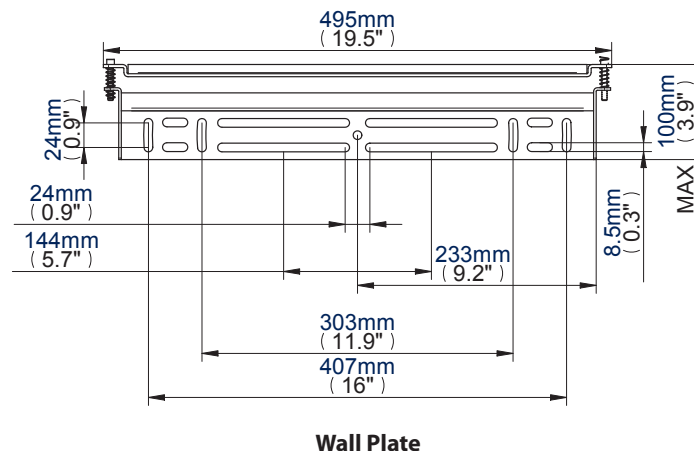
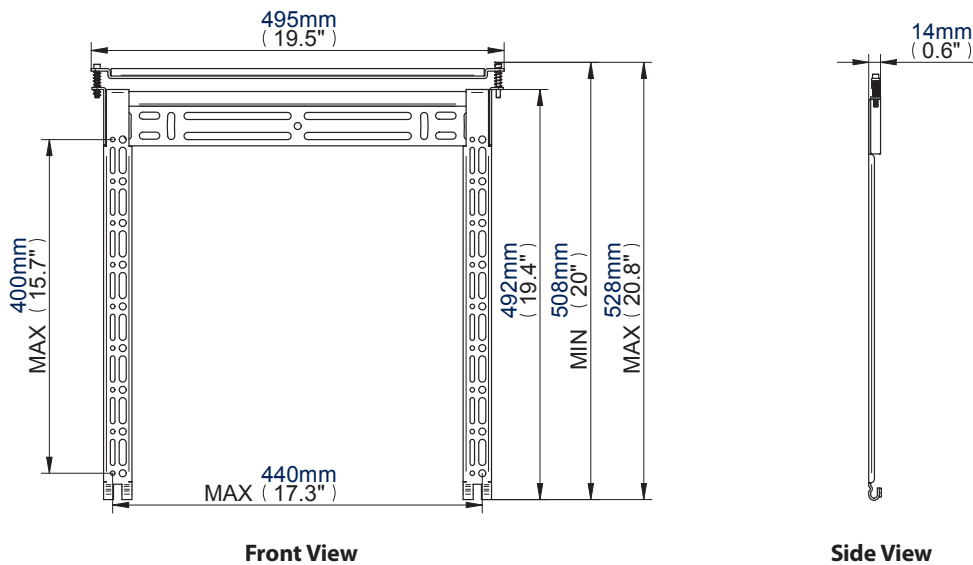
Comprehensive screen fixing kit included

Ultra-Slim Universal Flat Screen Wall Mount

For more information please visit www.btechavmounts.com/BT8210-PRO

BT8210-PRO

Registered Design Number: 001713280-0038



Colour:	Order Ref:	EAN Code:	Master Carton Qty:	Inner Carton Qty:	Master Carton Weight:	Master Carton Cube:
Black	BT8210-PRO/B	5019318082016	8	2	20.74kg (45.7lbs)	2.22cuft (0.063cbm)

**This information is intended as a guide only and reflects the current specification at the time of print.
B-Tech accepts no liability for the accuracy of the information contained in this document.**