

---

**Bike Sport Developments Ltd**

The Old barn, Greatworth Hall, Greatworth OX17 2DH - UK

Tel 0044 (0)1327 263942 – [mail@bikesportdevelopments.co.uk](mailto:mail@bikesportdevelopments.co.uk) / [www.bikesportdevelopments.co.uk](http://www.bikesportdevelopments.co.uk)

---

**Description**

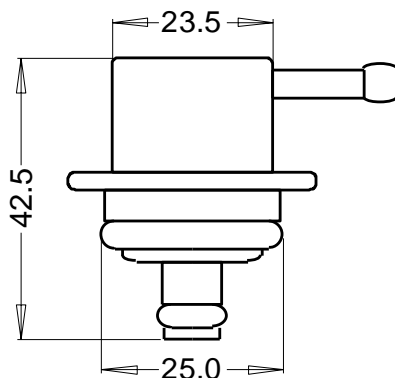
The RPM series of regulators are designed for either direct mounting within the fuel rail, or in-line mounting

The regulator comprises a sealing valve joined to an elastic membrane which by means of a compression spring compensates the pressure within the regulator, hence, adjusting the fuel flow.

The body and cover are made from stainless steel, as are all internal components in contact with fuel, with the exception of the membrane which is a reinforced vulcanised rubber.



---

**Dimensions**

---

**Technical Data**

Weight..... 37 g  
Flow range..... 5 > 300 l/h  
Max vibration ..... 30 g  
Temperature range..... 0 > 100 °c  
Filter mesh..... 150 µm

Pressure .....	RPM36	RPM40	RPM58	RPM72	RPM73	RPM74	
Nominal pressure.....	2.5	3.0	3.5	4.0	4.5	5.0	Bar
@ flow rate .....	40	40	40	80	80	80	Litres/hour
Methanol resistant .....	no	no	no	yes	yes	yes	

---

**Ordering information**

Part No.	Description
RPM 36	2.5bar regulator
RPM 40	3.0 bar regulator
RPM 58	3.5 bar regulator
RPM 72	4.0 bar regulator
RPM 73	4.5 bar regulator
RPM 74	5.0 bar regulator