

**BD_SW_4BC_17 Kawasaki ZX6R (636) – 2019 onward , 4 button , Up , Select , Down , Pit
Handlebar race switches for use with a Re-Flashed ECU and wiring
For direct clutch post mounting.**

This switch is designed for use on race/track bikes fitted with a re-flashed ECU which has enabled a pit speed limiter. We provide 2 loose wires linked to a momentary (push and hold) switch for the user to connect where necessary.

The aluminium assembly has been ergonomically designed for easy use and encompasses 4 momentary switches as described below with direct mounting onto the clutch post to save handlebar space.

The offset design moves the **PIT** function uppermost to ensure clearance when using a thumb brake below the handlebars.



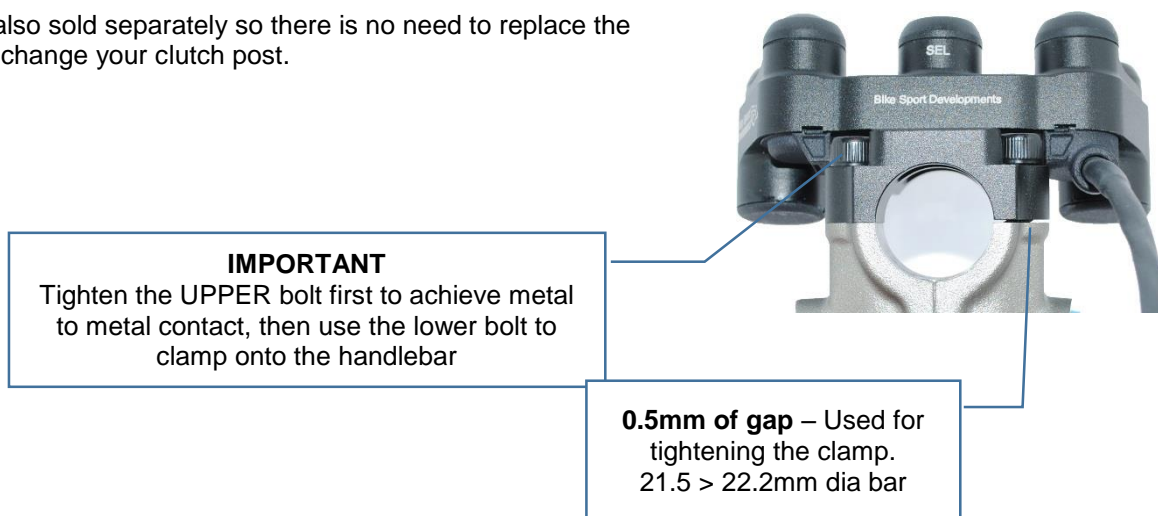
Use the two slotted M5 bolts to adjust left / right to best suit the rider.

No modification of the bike wiring is necessary, this kit plugs directly into the connectors of the bike wiring loom.

Mounting - These switches mount directly onto our own clutch post clamp and are adjustable left / right to suit the rider

Several clamps are available (see full 'Type C' data sheet for list of options), but as standard we will supply the **CL-K** clamp to suit 36mm in-line clamp bolts as standard on the Kawasaki

Clamps are also sold separately so there is no need to replace the switch if you change your clutch post.



Electrical connection

No modification of the bike wiring is necessary, this kit plugs directly into the connectors of the bike (except Pit)

Note – Clutch switch wiring is included but may be easily removed if not needed.

Matching right side switch for race bikes – 2 functions

BD-SW-2BC-30 This 2 way right switch provides the Stop/run and Start functions

This also clamps to the standard brake pump to save space on the bars.



Matching right side switch for race bikes – 3 functions

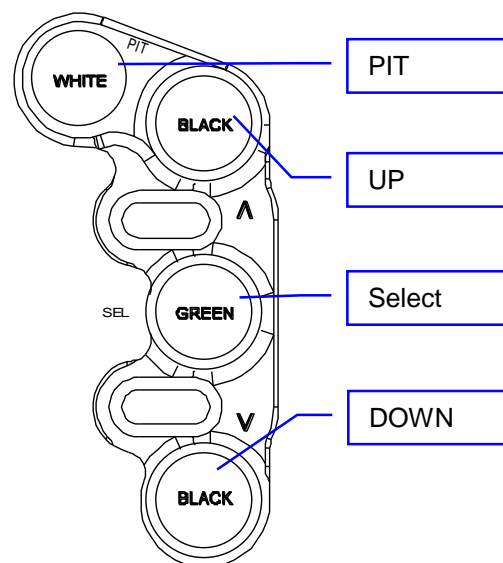
BD-SW-3BC-19 This 3 way right switch provides the Stop/run, Launch and Rain light functions

This also clamps to the standard brake pump to save space on the bars.



Function:

1	White	Pit speed limit
2	Black	UP function
3	Green	Select (Mode) function
4	Black	DOWN function



Electrical / Mechanical Characteristics

Wire..... Type 55 / 24
 Switch sealing..... IP67
 Housing..... Aluminium

Coating..... Black anodise
 Dia (handlebar) 22mm (7/8")
 Wire length Same as standard

Ordering Information

Part No.	Connector	Description
BD-SW-4BC-17-K	Plug n Play	4 way handlebar switch to suit ZX6R race bikes (2019 onwards) with 36mm in-line K clutch clamp
BD-SW-4BC-17	Plug n Play	Replacement switch pod, excluding clamp
BDC-CL-K	n/a	Replacement 36mm in-line clamp for clutch