

BD_SW_3BXC_80

Suzuki GSXR1000 – 2017 onwards – Standard ECU and wiring
Right side , Rain – Stop/Run - Start
3 button handlebar race switch for fitting directly onto the brake clamp

This switch is a direct replacement for the standard right switch assembly found on the Suzuki. Designed for use on race bikes which need an additional latching switch for the rain light, or need to save space on the handlebar.

The rain light is pre-wired into the original brake light wiring circuit so control of the 'stop light' can be achieved simply by pressing the yellow button.

- Red , Stop/Run
- Yellow , Rain light
- Green , Starter



No modification of the bike wiring is necessary, this kit plugs directly into the connector of the standard loom.

Mounting

These 'Type C' switches mount directly onto our own brake pump clamp(s) and are adjustable left / right to suit the rider

Three types of clamp are available

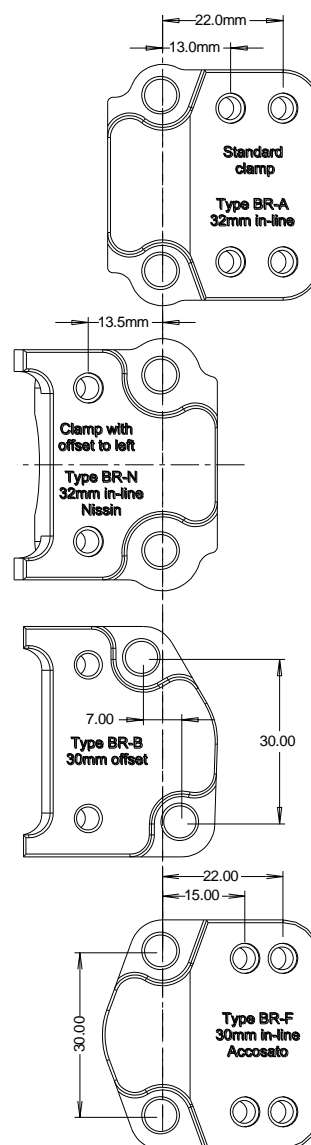
BR-A – 32mm in-line bolts (standard), switch mount locations are 13 or 22mm to the right of the pump centre line (**unless otherwise specified, this is the clamp we will supply as it fits the standard bike**)

BR-B – 30mm offset bolts to suit Brembo XR brake pump

BR-N – 32mm in-line bolts, switch mount offset of 13.5mm to the left of the pump centre line. Suits Nissin race pump

BR-F – 30mm in-line bolt pattern

Specify clamp A, B, N or F at the time of ordering. Clamps are sold separately so there is no need to replace the switch if you change your brake pump.



IMPORTANT
 Tighten the UPPER bolt first to achieve metal to metal contact, then use the lower bolt to clamp onto the handlebar



0.5mm of gap – Used for tightening the clamp.
 21.5 > 22.2mm dia bar

Bike Sport Developments Ltd

The Old Barn, Greatworth Hall, Greatworth, Oxon, OX17 2DH - UK

Tel 0044 (0)1327 263942 – mail@bikesportdevelopments.co.uk / www.bikesportdevelopments.co.uk



Matching left switch - BD-SW-4BC-13

For re-flashed ECUs which now have a PIT speed limiter function

Up , Select , Down , Pit speed



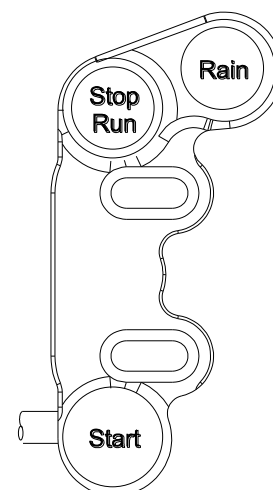
Matching left switch - BD-SW-3BC-11

Only the basic functions needed for a race or track bike , Up , Select , Down



Function:

RED	RUN/STOP	Latching
GREEN	START	Momentary
YELLOW	RAIN	Latching



Electrical / Mechanical Characteristics

Wire..... Type 55 / 24
Switch sealing..... IP67
Housing..... Aluminium
Coating..... Black anodise

Dia (handlebar)22mm (7/8")
Max width 20.5 mm
Min width at centre 20.0 mm
Weight 85 g

Ordering Information

Part No.	Connector	Description
BD-SW-3BXC-80-A	Plug n Play	3 way handlebar switch for Suzuki GSXR 2017 on - Complete right kit + 32mm in-line A clamp (standard)
BD-SW-3BXC-80-B	Plug n Play	3 way handlebar switch for Suzuki GSXR 2017 on - Complete right kit + 30mm offset B clamp
BD-SW-3BXC-80-N	Plug n Play	3 way handlebar switch for Suzuki GSXR 2017 on - Complete right kit + 32mm Nissin N clamp
BD-SW-3BXC-80-F	Plug n Play	3 way handlebar switch for Suzuki GSXR 2017 on - Complete right kit + 30mm in-line F clamp
BR-A	n/a	Replacement 32mm in-line clamp for brake – Standard clamp and Brembo RC
BR-B	n/a	Replacement 30mm Offset clamp for brake – Brembo XR
BR-N	n/a	Replacement 32mm in-line clamp for brake – Nissin race pump
BR-F	n/a	Replacement 30mm in-line clamp for brake