

BD_SW_4BC_32 Ducati V2 left side, Lap (flash), Up , Mode/Enter , Down 4 button handlebar race switch for direct clutch post mounting.

This switch is intended to replace the standard left hand handlebar switches on Ducati v2 track bikes which no longer require the light and turn signal controls, yet still require the use of the dash MODE and LAP functions.

The aluminium assembly has been ergonomically designed for easy use and encompasses 4 momentary switches as described below with direct mounting onto the clutch post to save handlebar space.

The offset design moves all functions upward to ensure clearance when using a thumb brake below the handlebars.

Use the two slotted M5 bolts to adjust left / right to best suit the rider.



Mounting

These 'Type C' switches mount directly onto our own clutch pump clamp(s) and are adjustable left / right to suit the rider

Three types of clamp are available

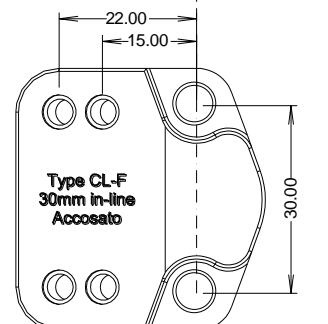
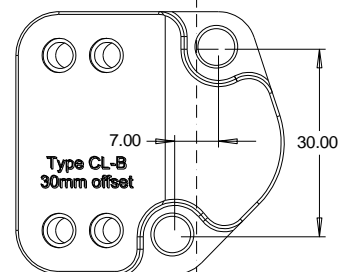
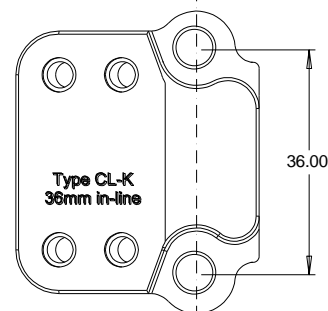
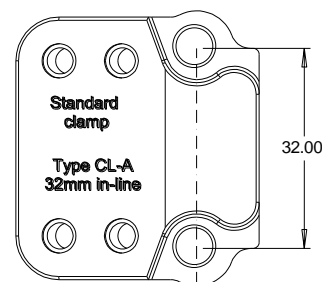
CL-A – 32mm in-line bolts (standard), switch mount locations are 13 or 22mm to the right of the pump centre line (**unless otherwise specified, this is the clamp we will supply as it fits the standard bike, also Brembo RC pumps**)

CL-B – 30mm offset bolts to suit Brembo XR clutch pump

CL-K – 36mm in-line bolts

CL-F – 30mm in-line bolts

Specify clamp A, B, N or F at the time of ordering. Clamps are sold separately so there is no need to replace the switch if you change your brake pump.



IMPORTANT

Tighten the UPPER bolt first to achieve metal to metal contact, then use the lower bolt to clamp onto the handlebar



0.5mm of gap – Used for tightening the clamp.
21.5 > 22.2mm dia bar

Electrical connection

No modification of the bike wiring is necessary, this kit plugs directly into the connectors of the bike.

Matching right side switch options

BD-SW-3BC-32

Stop/Run , Rain light , Start



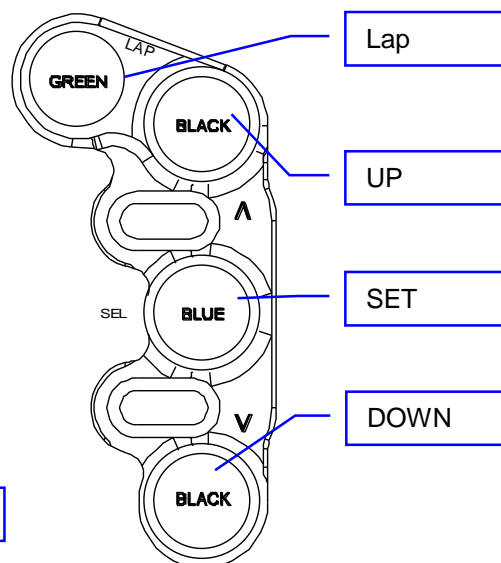
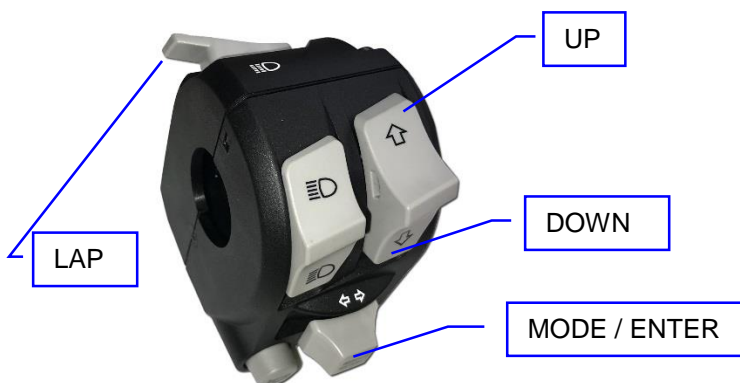
BD-SW-2BC-32

Stop/Run , Start



Function:

1	Green	LAP set (flash)
2	Black	UP function
3	Blue	Mode / Enter (SET)
4	Black	DOWN function



Electrical / Mechanical Characteristics

Wire..... Type 55 / 24
 Switch sealing IP67
 Housing.....Aluminium

Coating.....Black anodise
 Dia (handlebar)22mm (7/8")
 Wire length 450mm

Ordering Information

Part No.	Connector	Description
BD-SW-4BC-32-A	Plug n Play	4 way handlebar switch to suit Ducati V2 with 32mm in-line A clutch clamp
BDC-CL-A	n/a	Replacement 32mm in-line clamp for clutch