

Datasheet

- V51-201** MATV amplifier 1 input 1 output for small, medium and large systems
- V51-204** MATV amplifier 4 inputs 1 output for small, medium and large systems
- V51-305** MATV amplifier 5 inputs 1 output for small, medium and large systems

- Very high quality broadband MATV amplifiers for all small, medium and large systems
- Push-Pull output stage for superior performance
- Super flat gain with very high output headroom
- 10dB + 10dB gain & slope controls
- Diecast fully screened amplifier housing for superior interference immunity
- Test points and earth-bonding post
- Built-in mains power supply with UK plug with LED power on indicator

New
available January



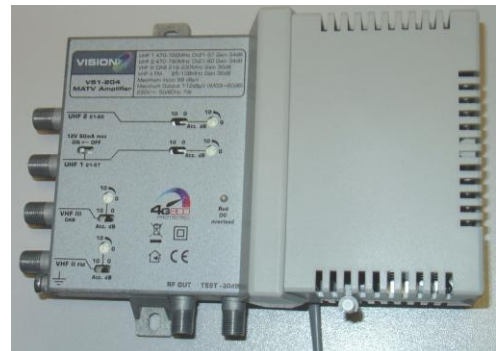
V51-201, 204 and 305 are designed for excellent performance over the full VHF and UHF broadcast bands BII, BIII, UHF BIV/V. Input filtering is designed for VHF/FM, VHF/DAB and UHF channels 21-60 with additional input filters on the multi-input models V51-204 and V51-305.

V51-204 has 2 x UHF inputs for Ch21-57 and Ch21-60. V51-305 has 3 x UHF inputs for C21-57, Ch21-60 and Ch21-69. This input filtering allows greater input options and backwards compatibility with older MATV systems, yet minimises of the likelihood of 4G/LTE interference.

These amplifiers are designed with high gain and very high input and output headroom to minimise the effects of interference overload. The V51 range of amplifiers can be used in small, medium and large MATV and IRS systems from 10 to 500 subscriber points or as a pre-amplifier mixer in cascade with a launch amplifier. The gain/level and slope settings are controlled by a 10dB gold contact slider switch attenuator and 10dB rotary trimmer attenuator for accurate and reliable adjustment.



- V51-201** 1 input, 1 output, 36dB Gain
- V51-204** 4 input, 1 output, 34dB Gain
- V51-305** 5 input, 1 output, 44dB Gain

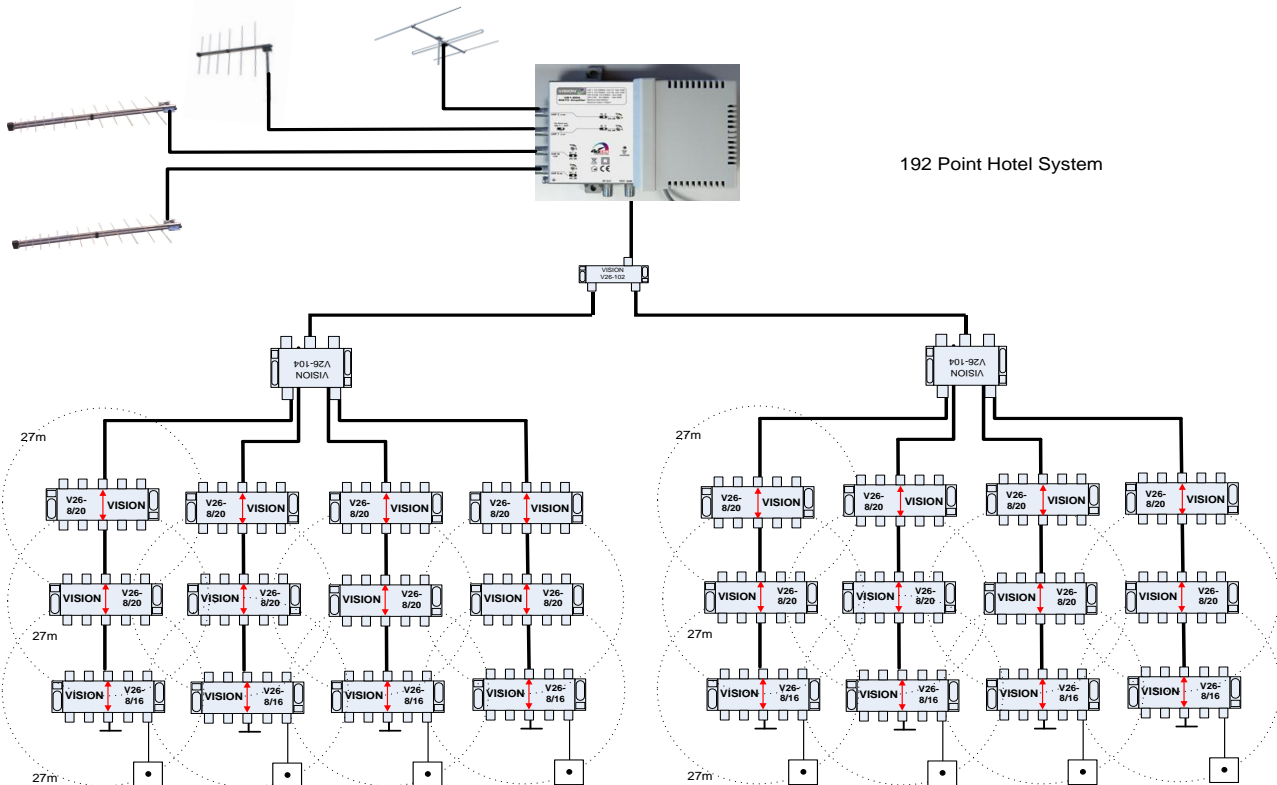


Continued on page 2

Datasheet

- V51-201** MATV amplifier 1 input 1 output for small, medium and large systems, 36dB gain
V51-204 MATV amplifier 4 inputs 1 output for small, medium and large systems, 34dB gain
V51-305 MATV amplifier 5 inputs 1 output for small, medium and large systems, 44dB gain

| Model | V51-201 | V51-204 | V51-305 |
|----------------------------------------------|------------------------------------------------|------------------------|---------------------------|
| No of inputs | 1 | 4 | 5 |
| Frequency range Input 1 | 47-790MHz | 88-108MHz | 88-108MHz |
| Frequency range Input 2 | - | 174-230MHz | 174-230MHz |
| Frequency range Input 3 | - | 470-766MHz UHF Ch21-57 | 470-790MHz UHF Ch21-60 |
| Frequency Range Input 4 | - | 470-790MHz UHF Ch21-60 | 470-766MHz UHF Ch21-57 |
| Frequency Range Input 5 | - | - | 470-862MHz UHF Ch21-69 |
| Gain | 36dB | VHF 30dB : UHF 34dB | VHF 35dB : UHF 44dB |
| Gain Adjustment in each input | 0-20dB (0-10dB switch + 0-10dB rotary trimmer) | | |
| Gain flatness | ±0.7dB | | |
| Maximum Output (DIN 45004B IMD3-60) analogue | 122 dBµV | 115 dBµV | 122 dBµV |
| Maximum Output (EN50083-3 IMD3-35) digital | 125dBµV | 121 dBµV | 125 dBµV |
| Maximum Input | 108 dBµV | 107 dBµV | 102 dBµV |
| Test Point | Input -20dB : Output -30dB | Output -30dB | |
| Input & Output Return Loss | ≥12dB | | |
| Noise Figure | <7dB | VHF <6dB UHF <5dB | VHF < 6dB UHF <4dB |
| Auxiliary Masthead Amplifier Power | - | 12V 100mA Input 3 | 12V 100mA Input 4 |
| Connectors | F-female 75Ω | | |
| Power AC | 230V AC 50Hz / 7.0W / UK plug with 3A fuse | | |
| Operating Temperature | -20 ⁰ to +50 ⁰ C | | |
| Dimensions & Weight | 135 x 164 x 52mm / 0.72kg | | 135 x 175 x 52mm / 0.72kg |



In the interests of continued product improvement and development we reserve the right to change specifications, design and dimensions without prior notice. Details correct at date of publication 15/10/2014
 E&OE Vision Products (Europe) Ltd ©2014