

The MB-25B is a rack mounting bracket designed for 2-unit size.

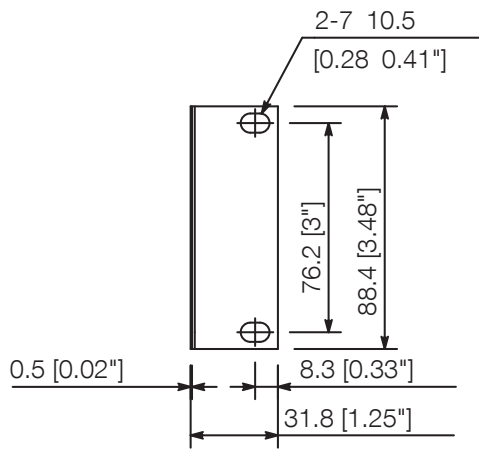


Article number:MB-25B

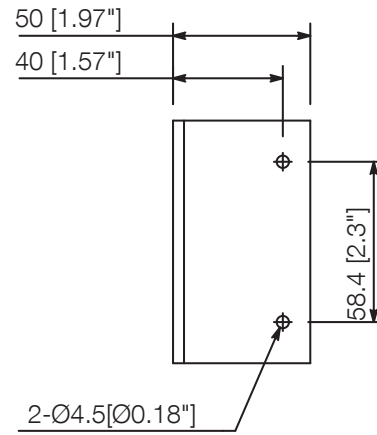
Specifications

Finish	Aluminium, alumite process, black,
--------	------------------------------------

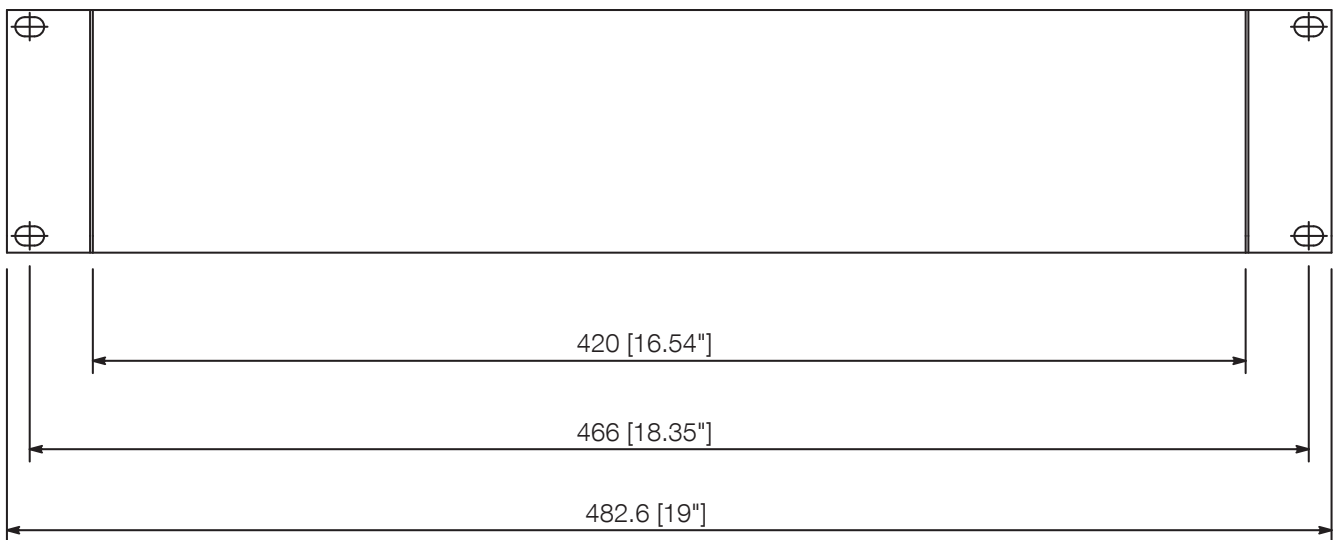
Appearance



Front View



Side View



Installation

UNIT:mm SCALE:1/3